

Elevallunas Autom3vil y camión

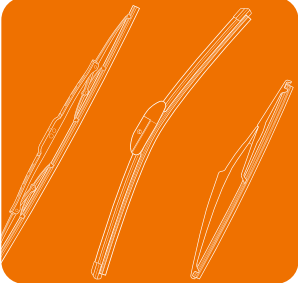
Window regulators | Lève-vitres | Alzacristalli | Regulador janelas

Catálogo 2018
NUEVA ACTUALIZACIÓN

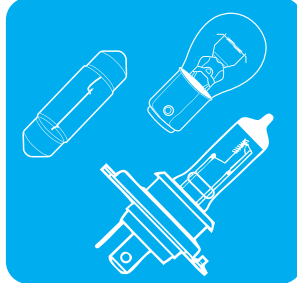


GAMA COMPLETA DE PRODUCTOS

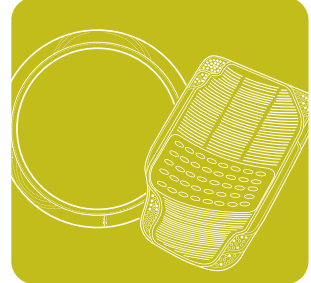
Escobillas limpiaparabrisas



Iluminación



Accesorios



Filtros



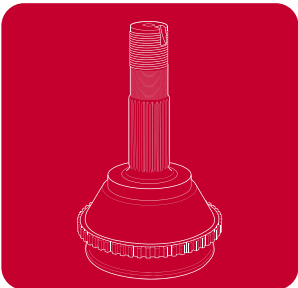
Pastillas de freno



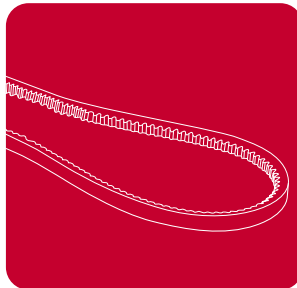
Discos de freno



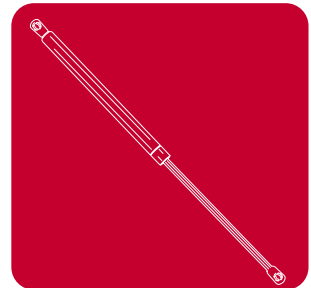
Juntas Homocinéticas



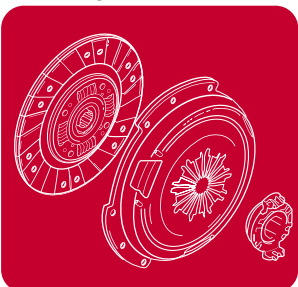
Correas



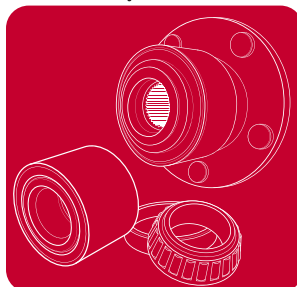
Muelles neumáticos



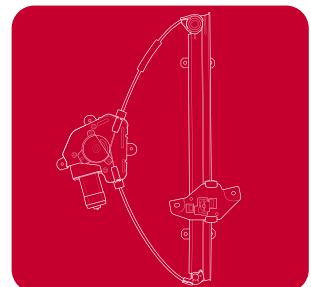
Embragues



Kits de cojinete de rueda



Elevalunas



NER-TOR

KRONEHL®



MAX *Vision*





NUESTRAS INSTALACIONES





Sistemas de Ejevalunas

Window regulators systems | Systèmes Lève-vitres | Sistema di Alzacristalli | Sistema regulador janelas

4



Índice por Referencia KSH

Reference index | Index de référence | Indice di riferimento | Índice de referência

6



Lista de aplicaciones POR MARCA Y MODELO DE COCHE

Application lists | Listes d'affectations | Liste di applicazione | Listas da aplicação

11

AUTOMÓVIL	11	LANCIA	76	SUZUKI	149
ALFA ROMEO	12	LAND ROVER	77	TOYOTA	150
AUDI	14	MAZDA	79	VOLKSWAGEN	151
BMW	20	MERCEDES BENZ	80	VOLVO	170
CHEVROLET	32	MITSUBISHI	90		
CHRYSLER	33	NISSAN	91	VEHÍCULO INDUSTRIAL	171
CITROËN	35	OPEL	96	DAF	172
DAEWOO	46	PEUGEOT	101	IVECO	173
FIAT	48	RENAULT	115	MERCEDES BENZ	175
FORD	57	ROVER	132	RENAULT TRUCKS	176
HONDA	69	SAAB	134	SCANIA	178
HYUNDAI	71	SEAT	135	VOLVO TRUCKS	179
IVECO	74	SKODA	145		
JEEP	75	SMART	148		



Referencias cruzadas KSH - OTRAS MARCAS (AUTOMÓVIL)

Cross references | Correspondances | Equivalências de referências | Corrispondenze por marca

181



Referencias cruzadas KSH - OTRAS MARCAS (VEHÍCULO INDUSTRIAL)

Cross references | Correspondances | Equivalências de referências | Corrispondenze por marca

189



Referencias cruzadas OTRAS MARCAS - KSH

Cross references | Correspondances | Equivalências de referências | Corrispondenze por marca

190



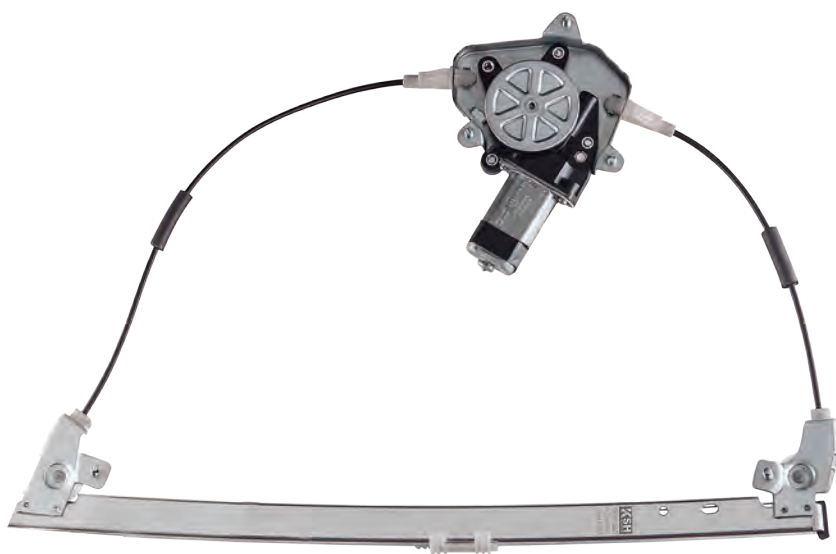
Referencias cruzadas O.E.M. - KSH

Cross references | Correspondances | Equivalências de referências | Corrispondenze por marca

224

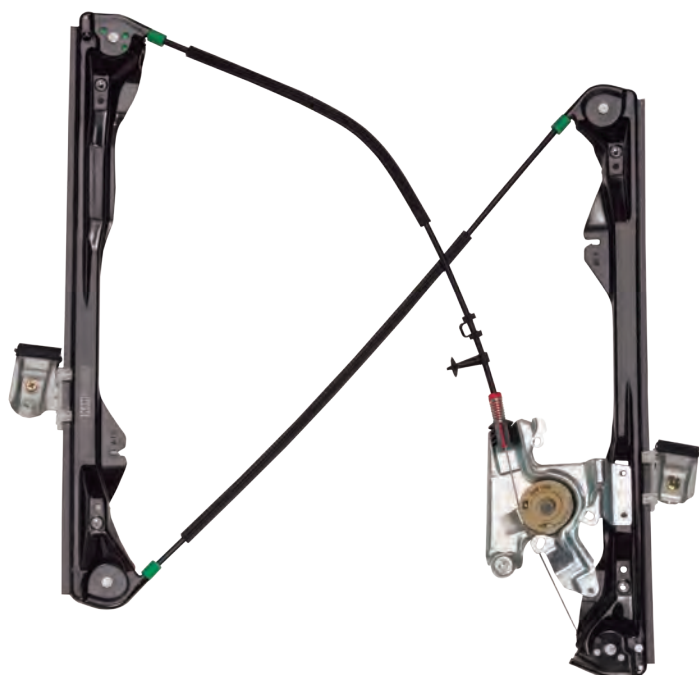
Sistemas de Elevation

Window regulators systems | Systèmes Lève-vitres | Sistema di Alzacristalli | Sistema regulador janelas



Sistema con única guía

Simple guide system
Système simple guidage
Sistema one guidata
Sistema guia simple



Sistema con doble guía

Double guide system
Système double guidage
Sistema doppia guidata
Sistema guia de duplo



Sistema tijera

Scissors system
Système sciseaux
Sistema incrociati
Sistema tesoura



Sistemas de Elevelunas

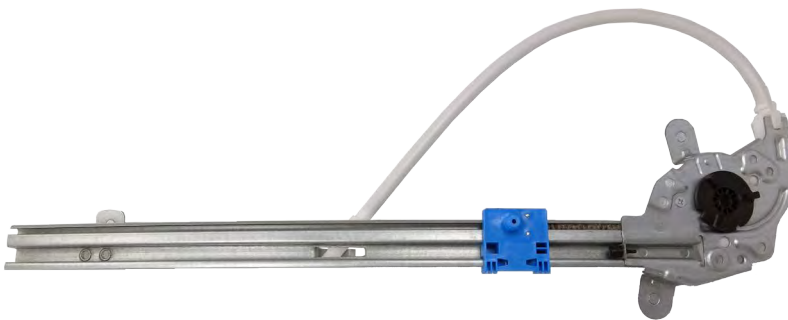
Sistema con doble guía con confort

Double guide system with confort
Système double guidage avec confort
Sistema doppia guidata con confort
Sistema guia de duplo com confort



Sistema cable

Cable system
Système cable
Sistema cavo
Sistema de arame



AUTOMÓVIL AUTOMOBILE	
REF. KSH	Nº PAG.
1830.0030001	78
1830.0030002	78
1830.0030003	84-85
1830.0030004	84-85
1830.0030005	85-87
1830.0030006	85-87
1830.0030007	82
1830.0030008	82
1830.0030009	82
1830.0030010	82
1830.0030011	90
1830.0030012	90
1830.0030013	96
1830.0030014	96
1830.0030015	107
1830.0030016	107
1830.0030017	41-101
1830.0030018	41-101
1830.0030019	155
1830.0030020	155
1830.0030021	27
1830.0030022	27
1830.0030023	27
1830.0030024	27
1830.0030025	23
1830.0030026	23
1830.0030027	24
1830.0030028	24
1830.0030029	65
1830.0030030	65
1830.0030031	72
1830.0030032	72
1830.0030033	39-50-111
1830.0030034	39-50-111
1830.0030035	106
1830.0030036	106
1830.0030037	107
1830.0030038	107
1830.0030039	28
1830.0030040	28
1830.0030041	29
1830.0030042	29
1830.0030043	30
1830.0030044	30
1830.0030045	31
1830.0030046	31
1830.0030047	51
1830.0030048	51
1830.0030049	72

REF. KSH	Nº PAG.
1830.0030050	72
1830.0030051	77
1830.0030053	86-88
1830.0030054	86-88
1830.0030055	99
1830.0030056	99
1830.0030057	108
1830.0030058	108
1830.0030059	63-135-167
1830.0030060	63-135-167
1830.0030061	83
1830.0030062	83
1830.0030063	105
1830.0030064	105
1830.0030065	135
1830.0030066	135
1830.0030067	67
1830.0030068	67
1830.0030069	150
1830.0030070	150
1830.0030071	20
1830.0030072	20
1830.0030073	67
1830.0030074	67
1830.0030075	123
1830.0030076	123
1830.0030077	121
1830.0030078	121
1830.0030079	94
1830.0030080	94
1830.0030081	168
1830.0030082	168
1830.0030083	169
1830.0030084	169
1830.0030085	117
1830.0030086	117
1830.0030087	126
1830.0030088	126
1830.0030089	158
1830.0030090	158
1830.0030091	60
1830.0030092	60
1830.0030093	137-140-152-166
1830.0030094	137-140-152-166
1830.0030095	126
1830.0030096	126
1830.0030097	61
1830.0030098	61
1830.0030099	151-157
1830.0030100	151-157
1830.0030101	151-157

REF. KSH	Nº PAG.
1830.0030102	151-157
1830.0030103	12
1830.0030104	12
1830.0030105	137-139
1830.0030106	137-139
1830.0030107	18
1830.0030108	18
1830.0030109	17-138
1830.0030110	17-138
1830.0030111	15
1830.0030112	15
1830.0030113	16
1830.0030114	16
1830.0030115	16
1830.0030116	16
1830.0030117	17
1830.0030118	17
1830.0030119	14
1830.0030120	14
1830.0030121	24
1830.0030122	24
1830.0030123	25
1830.0030124	25
1830.0030125	33
1830.0030126	33
1830.0030127	33
1830.0030128	33
1830.0030129	45
1830.0030130	45
1830.0030131	37
1830.0030132	37
1830.0030133	43
1830.0030134	43
1830.0030135	35-114
1830.0030136	35-114
1830.0030137	37
1830.0030138	37
1830.0030139	44
1830.0030140	44
1830.0030141	92
1830.0030142	92
1830.0030143	94
1830.0030144	94
1830.0030145	93
1830.0030146	93
1830.0030147	64-95
1830.0030148	64-95
1830.0030149	115
1830.0030150	115
1830.0030151	47
1830.0030152	47



REF. KSH	Nº PAG.
1830.0030153	46
1830.0030154	46
1830.0030155	47
1830.0030156	47
1830.0030157	64-95
1830.0030158	64-95
1830.0030159	103
1830.0030160	103
1830.0030161	59
1830.0030162	59
1830.0030163	61
1830.0030164	61
1830.0030165	62
1830.0030166	62
1830.0030167	58
1830.0030168	58
1830.0030169	49
1830.0030170	49
1830.0030171	53
1830.0030172	53
1830.0030173	51
1830.0030174	51
1830.0030175	73
1830.0030176	73
1830.0030177	71
1830.0030178	71
1830.0030179	71
1830.0030180	71
1830.0030181	75
1830.0030182	75
1830.0030183	108
1830.0030184	108
1830.0030185	109
1830.0030186	109
1830.0030187	60
1830.0030188	60
1830.0030189	118
1830.0030190	118
1830.0030191	115
1830.0030192	115
1830.0030193	131
1830.0030194	131
1830.0030195	120
1830.0030196	120
1830.0030197	120
1830.0030198	120
1830.0030199	125
1830.0030200	125
1830.0030201	119
1830.0030202	119
1830.0030203	129

REF. KSH	Nº PAG.
1830.0030204	129
1830.0030205	128
1830.0030206	128
1830.0030207	116
1830.0030208	116
1830.0030209	132
1830.0030210	132
1830.0030211	145
1830.0030212	145
1830.0030213	146
1830.0030214	146
1830.0030215	145
1830.0030216	145
1830.0030217	149
1830.0030218	149
1830.0030219	124
1830.0030220	124
1830.0030221	122
1830.0030222	122
1830.0030223	162
1830.0030224	162
1830.0030225	162
1830.0030226	162
1830.0030227	161
1830.0030228	161
1830.0030229	159
1830.0030230	159
1830.0030231	159
1830.0030232	159
1830.0030233	167
1830.0030234	167
1830.0030235	152-158
1830.0030236	152-158
1830.0030237	170
1830.0030238	170
1830.0030239	142-144
1830.0030240	142-144
1830.0030241	68
1830.0030242	68
1830.0030243	125
1830.0030244	125
1830.0030245	18-139
1830.0030246	18-139
1830.0030247	83
1830.0030248	83
1830.0030249	98
1830.0030250	98
1830.0030251	163
1830.0030252	163
1830.0030253	105
1830.0030254	105

REF. KSH	Nº PAG.
1830.0030255	147
1830.0030256	147
1830.0030257	13
1830.0030258	13
1830.0030259	25
1830.0030260	25
1830.0030261	26
1830.0030262	26
1830.0030263	42
1830.0030264	42
1830.0030265	29
1830.0030266	29
1830.0030267	30
1830.0030268	30
1830.0030269	127
1830.0030270	127
1830.0030271	142
1830.0030272	142
1830.0030273	91
1830.0030274	91
1830.0030275	153
1830.0030276	153
1830.0030279	19
1830.0030280	19
1830.0030281	129
1830.0030282	129
1830.0030283	153
1830.0030284	153
1830.0030285	40-55-112
1830.0030286	40-55-112
1830.0030287	28
1830.0030288	28
1830.0030289	54
1830.0030290	54
1830.0030291	77
1830.0030292	77
1830.0030293	148
1830.0030294	148
1830.0030295	165
1830.0030296	165
1830.0030299	123
1830.0030300	123
1830.0030301	122
1830.0030302	122
1830.0030303	146
1830.0030304	146
1830.0030305	156
1830.0030306	156
1830.0030307	48
1830.0030308	48
1830.0030309	52-76

Índice por Referencia KSH



Reference index | Index de référence | Indice di riferimento | Índice de referência

REF. KSH	Nº PAG.
1830.0030310	52-76
1830.0030311	44
1830.0030312	44
1830.0030313	57
1830.0030314	57
1830.0030315	75
1830.0030316	75
1830.0030319	102
1830.0030320	102
1830.0030321	119
1830.0030322	119
1830.0030323	117
1830.0030324	117
1830.0030325	169
1830.0030326	169
1830.0030327	104
1830.0030328	104
1830.0030329	41-110
1830.0030330	41-110
1830.0030331	49
1830.0030332	49
1830.0030333	59
1830.0030334	59
1830.0030335	84
1830.0030336	84
1830.0030337	100
1830.0030338	100
1830.0030339	106
1830.0030340	106
1830.0030341	134
1830.0030342	134
1830.0030343	97
1830.0030344	97
1830.0030345	168
1830.0030346	168
1830.0030347	118
1830.0030348	118
1830.0030349	104
1830.0030350	104
1830.0030351	20
1830.0030352	20
1830.0030353	79
1830.0030354	79
1830.0030355	92
1830.0030356	92
1830.0030357	80
1830.0030358	80
1830.0030359	164
1830.0030360	164
1830.0030361	15
1830.0030362	15

REF. KSH	Nº PAG.
1830.0030363	154-160
1830.0030364	154-160
1830.0030365	136-161
1830.0030366	136-161
1830.0030367	34
1830.0030368	34
1830.0030371	81
1830.0030372	81
1830.0030373	22
1830.0030374	22
1830.0030375	14
1830.0030376	14
1830.0030377	23
1830.0030378	23
1830.0030379	141-143
1830.0030380	141-143
1830.0030383	79
1830.0030384	79
1830.0030389	81
1830.0030390	81
1830.0030393	43
1830.0030394	43
1830.0030397	38
1830.0030398	38
1830.0030399	55
1830.0030400	55
1830.0030401	42-101
1830.0030402	42-101
1830.0030403	103
1830.0030404	103
1830.0030405	124
1830.0030406	124
1830.0030407	143
1830.0030408	143
1830.0030409	127
1830.0030410	127
1830.0030411	38-40-54-76-110-112
1830.0030412	38-40-54-76-110-112
1830.0030413	93-99-130
1830.0030414	93-99-130
1830.0030415	21
1830.0030416	21
1830.0030417	26
1830.0030418	26
1830.0030419	166
1830.0030420	166
1830.0030421	136
1830.0030422	136
1830.0030423	109
1830.0030424	109
1830.0030429	66

REF. KSH	Nº PAG.
1830.0030430	66
1830.0030431	65
1830.0030432	65
1830.0030433	63
1830.0030434	63
1830.0030435	62
1830.0030436	62
1830.0030437	56
1830.0030438	56
1830.0030439	48
1830.0030440	48
1830.0030441	69-132
1830.0030442	69-132
1830.0030445	140
1830.0030446	140
1830.0030451	39-50-111
1830.0030452	39-50-111
1830.0030453	13
1830.0030454	13
1830.0030455	57
1830.0030456	57
1830.0030457	58
1830.0030458	58
1830.0030459	70
1830.0030460	70
1830.0030461	165
1830.0030462	165
1830.0030463	134
1830.0030464	134
1830.0030467	12
1830.0030468	12
1830.0030469	22
1830.0030470	22
1830.0030471	53
1830.0030472	53
1830.0030473	32-46
1830.0030474	32-46
1830.0030475	97
1830.0030476	97
1830.0030477	96-149
1830.0030478	96-149
1830.0030481	102
1830.0030482	102
1830.0030483	116
1830.0030484	116
1830.0030485	69-133
1830.0030486	69-133
1830.0030487	128
1830.0030488	128
1830.0030491	21
1830.0030492	21



REF. KSH	Nº PAG.
1830.0030493	163
1830.0030494	163
1830.0030495	36
1830.0030496	36
1830.0030497	80
1830.0030498	80
1830.0030499	86-88
1830.0030500	86-88
1830.0030501	66
1830.0030502	66
1830.0030503	130
1830.0030504	130
1830.0030505	87-89
1830.0030506	87-89
1830.0030507	36-113
1830.0030508	36-113
1830.0030509	138-141
1830.0030510	138-141
AUTOMÓVIL MANUAL	
1830.30019MA	156
1830.30020MA	156
1830.30391MA	154-155-160-164
1830.30392MA	154-155-160-164
1830.30425MA	35-113
1830.30426MA	35-113
1830.30427MA	52
1830.30428MA	52

CAMIÓN HEAVY DUTY CAMION CAMINHÃO	
REF. KSH	Nº PAG.
1830.0040001	178
1830.0040002	178
1830.0040003	175
1830.0040004	175
1830.0040005	175
1830.0040006	175
1830.0040007	173
1830.0040008	173
1830.0040009	172
1830.0040010	172
1830.0040011	172-176-177-179
1830.0040012	172-176-177-179
1830.0040013	74-91-98-121-176
1830.0040014	74-91-98-121-176
1830.0040015	179-180
1830.0040016	179-180
CAMIÓN MANUAL	
1830.40017MA	174
1830.40018MA	174

Elevallunas para automóvil

Lista de aplicaciones

POR MARCA Y MODELO DE COCHE

Application lists | Listes d'affectations | Liste di applicazione | Listas da aplicaçao



MODELO

CRUCES / O.E.M.

REF. / PUERTA

147
10/00->



AC ROLCAR	01.0141
DOGA	100047
ELECTRIC LIFE	ZR AA41 L
LEMFÖRDER	60.80181.0
LIFT-TEK	LT AA41 L
MAGNETI MARELLI	AC269
SPJ	506-04
TRICLO	111575
VALEO	850016

O.E.M.:
ALFA ROMEO 0046751871

REF. 1830.0030103



AC ROLCAR	01.0140
DOGA	100048
ELECTRIC LIFE	ZR AA41 R
LEMFÖRDER	60.80180.0
LIFT-TEK	LT AA41 R
MAGNETI MARELLI	AC270
SPJ	506-03
TRICLO	111574
VALEO	850017

O.E.M.:
ALFA ROMEO 0046751870

REF. 1830.0030104



Motor incluido | Motor included | Moteur inclus
Eléctrico | Electric | Electrique

156
97->



AC ROLCAR	01.0127
DOGA	100043
ELECTRIC LIFE	ZR AA37 L
LEMFÖRDER	60.12031.0
LIFT-TEK	LT AA37 L
MAGNETI MARELLI	AC093
TRICLO	111553
VALEO	850012

O.E.M.:
ALFA ROMEO 60650544,
60672272, 60672278

REF. 1830.0030467



AC ROLCAR	01.0126
DOGA	100044
ELECTRIC LIFE	ZR AA37 R
LEMFÖRDER	60.12030.0
LIFT-TEK	LT AA37 R
MAGNETI MARELLI	AC094
TRICLO	111552
VALEO	850013

O.E.M.:
ALFA ROMEO 60650543,
60672271, 60672277

REF. 1830.0030468



Motor incluido | Motor included | Moteur inclus
Eléctrico | Electric | Electrique

MODELO

159

09/05->



Motor incluido | Motor included | Moteur inclus
Eléctrico | Electric | Electrique

CRUCES / O.E.M.

AC ROLCAR	01.0181
DOGA	101011
ELECTRIC LIFE	ZR AA48 L
LEMFÖRDER	60.80602.0
LIFT-TEK	LT AA48 L
VALEO	850814

O.E.M.:
ALFA ROMEO 71740175

AC ROLCAR	01.0180
DOGA	101012
ELECTRIC LIFE	ZR AA48 R
LEMFÖRDER	60.80603.0
LIFT-TEK	LT AA48 R
VALEO	850815

O.E.M.:
ALFA ROMEO 71740121

REF. / PUERTA

REF. 1830.0030453



REF. 1830.0030454



159

09/05->



Para vehículos con motor OEM electrónico (con función confort de origen).
For vehicles with electronic OEM motor (confort function).
Pour véhicules avec moteur OEM électronique (fonction confort).
Sólo parte mecánica | Mechanism only | Seulement mécanisme
Eléctrico | Electric | Electrique

AC ROLCAR	01.0107
DOGA	101267
ELECTRIC LIFE	ZR AA703 L
LEMFÖRDER	60.80855.0
LIFT-TEK	LT AA703 L
MAGNETI MARELLI	AC913
SPJ	505-06
TRICLO	111601
VALEO	850920

O.E.M.:
ALFA ROMEO 71740124

AC ROLCAR	01.0106
DOGA	101268
ELECTRIC LIFE	ZR AA703 R
LEMFÖRDER	60.80856.0
LIFT-TEK	LT AA703 R
MAGNETI MARELLI	AC914
SPJ	505-05
TRICLO	111600
VALEO	850921

O.E.M.:
ALFA ROMEO 71740123

REF. 1830.0030257



REF. 1830.0030258

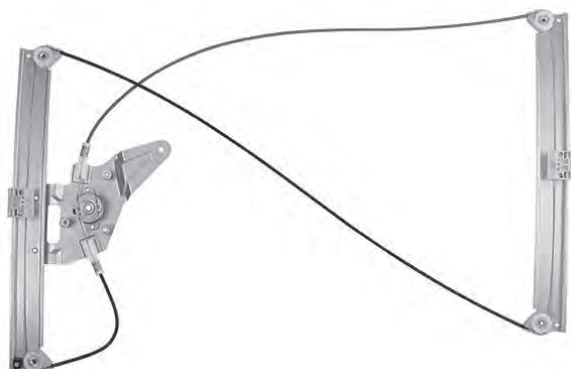


MODELO

CRUCES / O.E.M.

REF. / PUERTA

A3
96->04/03



AC ROLCAR	01.3927
DOGA	100083
ELECTRIC LIFE	ZR AD709 L
LEMFÖRDER	60.80469.0
LIFT-TEK	LT AD709 L
MAGNETI MARELLI	AC579
SPJ	722-22
TRICLO	113635
VALEO	850672

REF. 1830.0030119



O.E.M.:
AUDI 8L3837461

Para vehículos con motor OEM electrónico (con función confort de origen).
For vehicles with electronic OEM motor (confort function).
Pour véhicules avec moteur OEM électronique (fonction confort).
Sólo parte mecánica | Mechanism only | Seulement mécanisme
Eléctrico | Electric | Electrique

AC ROLCAR	01.3926
DOGA	100084
ELECTRIC LIFE	ZR AD709 R
LEMFÖRDER	60.80468.0
LIFT-TEK	LT AD709 R
MAGNETI MARELLI	AC580
SPJ	722-21
TRICLO	113634
VALEO	850673

REF. 1830.0030120



O.E.M.:
AUDI 8L3837462

A3
96->



DOGA	101673
ELECTRIC LIFE	ZR AD720 L
LIFT-TEK	LT AD720 L
VALEO	851182

REF. 1830.0030375



O.E.M.:
AUDI 8L4837461

Para vehículos con motor OEM electrónico (con función confort de origen).
For vehicles with electronic OEM motor (confort function).
Pour véhicules avec moteur OEM électronique (fonction confort).
Sólo parte mecánica | Mechanism only | Seulement mécanisme
Eléctrico | Electric | Electrique

DOGA	101674
ELECTRIC LIFE	ZR AD720 R
LIFT-TEK	LT AD720 R
TRICLO	113024
VALEO	851183

REF. 1830.0030376



O.E.M.:
AUDI 8L4837462

MODELO

A3
05/03->



Para vehículos con motor OEM electrónico (con función confort de origen).
For vehicles with electronic OEM motor (confort function).
Pour véhicules avec moteur OEM électronique (fonction confort).
Sólo parte mecánica | Mechanism only | Seulement mécanisme
Eléctrico | Electric | Electrique

CRUCES / O.E.M.

AC ROLCAR	01.3921
DOGA	100073
ELECTRIC LIFE	ZR AD704 L
LEMFÖRDER	60.80367.0
LIFT-TEK	LT AD704 L
MAGNETI MARELLI	AC575
SPJ	723-22
TRICLO	113637
VALEO	850616

O.E.M.:
AUDI 8P3837461A,
8P3837461C

REF. / PUERTA

REF. 1830.0030111



AC ROLCAR	01.3920
DOGA	100074
ELECTRIC LIFE	ZR AD704 R
LEMFÖRDER	60.80366.0
LIFT-TEK	LT AD704 R
MAGNETI MARELLI	AC576
SPJ	723-21
TRICLO	113636
VALEO	850617

O.E.M.:
AUDI 8P3837462A,
8P3837462C

REF. 1830.0030112



A3
03->



Para vehículos con motor OEM electrónico (con función confort de origen).
For vehicles with electronic OEM motor (confort function).
Pour véhicules avec moteur OEM électronique (fonction confort).
Sólo parte mecánica | Mechanism only | Seulement mécanisme
Eléctrico | Electric | Electrique

DOGA	100075
LEMFÖRDER	60.80369.0
MAGNETI MARELLI	AC577
SPJ	723-24
VALEO	850618

O.E.M.:
AUDI 8P4837461A

REF. 1830.0030361



DOGA	100076
LEMFÖRDER	60.80368.0
MAGNETI MARELLI	AC578
SPJ	723-23
VALEO	850619

O.E.M.:
AUDI 8P4837462A

REF. 1830.0030362

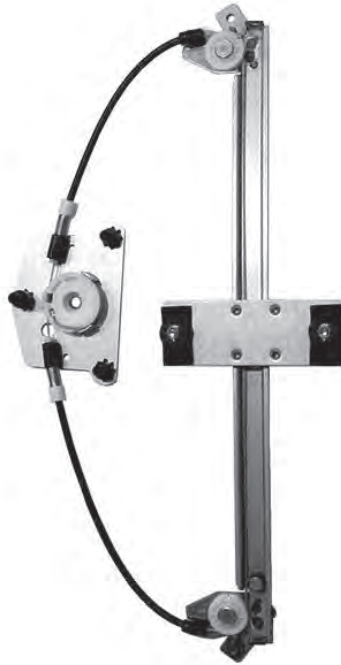


MODELO

CRUCES / O.E.M.

REF. / PUERTA

A3
05/03->



AC ROLCAR	01.3925
DOGA	100077
ELECTRIC LIFE	ZR AD706 L
LEMFÖRDER	60.80371.0
LIFT-TEK	LT AD706 L
MAGNETI MARELLI	AC1085
TRICLO	113641
VALEO	850620

REF. 1830.0030113



O.E.M.:
AUDI 8P4839461A,
8P4839461B

AC ROLCAR	01.3924
DOGA	100078
ELECTRIC LIFE	ZR AD706 R
LEMFÖRDER	60.80370.0
LIFT-TEK	LT AD706 R
MAGNETI MARELLI	AC1086
TRICLO	113640
VALEO	850621

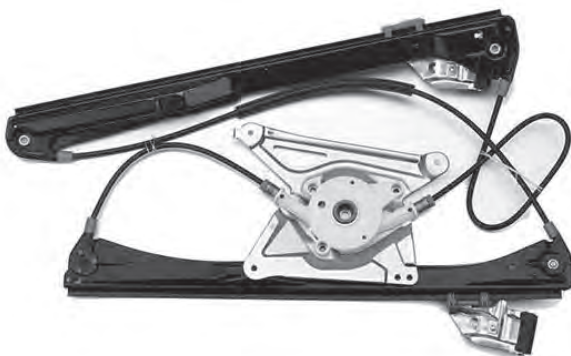
REF. 1830.0030114



O.E.M.:
AUDI 8P4839462A

Para vehículos con motor OEM electrónico (con función confort de origen).
For vehicles with electronic OEM motor (confort function).
Pour véhicules avec moteur OEM électronique (fonction confort).
Sólo parte mecánica | Mechanism only | Seulement mécanisme
Eléctrico | Electric | Electrique

A4
11/94->09/01



AC ROLCAR	01.3913
DOGA	100079
ELECTRIC LIFE	ZR AD707 L
LEMFÖRDER	60.80471.0
LIFT-TEK	LT AD707 L
SPJ	720-04
TRICLO	113643
VALEO	850674

REF. 1830.0030115



O.E.M.:
AUDI 8D0837461

AC ROLCAR	01.3912
DOGA	100080
ELECTRIC LIFE	ZR AD707 R
LEMFÖRDER	60.80470.0
LIFT-TEK	LT AD707 R
SPJ	720-03
TRICLO	113642
VALEO	850675

REF. 1830.0030116

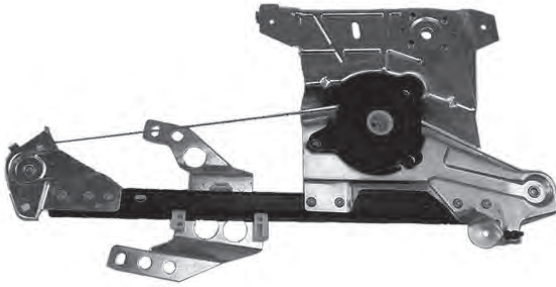


Para vehículos con motor OEM electrónico (con función confort de origen).
For vehicles with electronic OEM motor (confort function).
Pour véhicules avec moteur OEM électronique (fonction confort).
Sólo parte mecánica | Mechanism only | Seulement mécanisme
Eléctrico | Electric | Electrique

O.E.M.:
AUDI 8D0837462

MODELO

A4
11/94->09/01



Para vehículos con motor OEM electrónico (con función confort de origen).
For vehicles with electronic OEM motor (confort function).
Pour véhicules avec moteur OEM électronique (fonction confort).
Sólo parte mecánica | Mechanism only | Seulement mécanisme
Eléctrico | Electric | Electrique

CRUCES / O.E.M.

AC ROLCAR	01.3929
DOGA	100081
ELECTRIC LIFE	ZR AD708 L
LEMFÖRDER	60.80473.0
LIFT-TEK	LT AD708 L
SPJ	720-06
TRICLO	113645
VALEO	850676

O.E.M.:
AUDI 8D0839461

REF. / PUERTA

REF. 1830.0030117



AC ROLCAR	01.3928
DOGA	100082
ELECTRIC LIFE	ZR AD708 R
LEMFÖRDER	60.80472.0
LIFT-TEK	LT AD708 R
SPJ	720-05
TRICLO	113644
VALEO	850677

O.E.M.:
AUDI 8D0839462

REF. 1830.0030118



A4
10/01->09/07



Para vehículos con motor OEM electrónico (con función confort de origen).
For vehicles with electronic OEM motor (confort function).
Pour véhicules avec moteur OEM électronique (fonction confort).
Sólo parte mecánica | Mechanism only | Seulement mécanisme
Eléctrico | Electric | Electrique

AC ROLCAR	01.3919
DOGA	100071
ELECTRIC LIFE	ZR AD703 L
LEMFÖRDER	60.80475.0
LIFT-TEK	LT AD703 L
MAGNETI MARELLI	AC551
SPJ	721-24
TRICLO	111231
VALEO	850596

O.E.M.:
AUDI, SEAT 8E0837461B,
8E0837461C

REF. 1830.0030109



AC ROLCAR	01.3918
DOGA	100072
ELECTRIC LIFE	ZR AD703 R
LEMFÖRDER	60.80474.0
LIFT-TEK	LT AD703 R
MAGNETI MARELLI	AC552
SPJ	721-23
TRICLO	111230
VALEO	850597

O.E.M.:
AUDI, SEAT 8E0837462B,
8E0837462B

REF. 1830.0030110



MODELO

CRUCES / O.E.M.

REF. / PUERTA

A4

10/01->09/07



AC ROLCAR	01.7441
DOGA	101121
ELECTRIC LIFE	ZR AD711 L
LEMFÖRDER	60.80608.0
LIFT-TEK	LT AD711 L
MAGNETI MARELLI	AC969
SPJ	721-26
TRICLO	111485
VALEO	850850

O.E.M.:
AUDI 8E0839461C

REF. 1830.0030245



Para vehículos con motor OEM electrónico (con función confort de origen).
For vehicles with electronic OEM motor (confort function).
Pour véhicules avec moteur OEM électronique (fonction confort).
Sólo parte mecánica | Mechanism only | Seulement mécanisme
Eléctrico | Electric | Electrique

AC ROLCAR	01.7440
DOGA	101122
ELECTRIC LIFE	ZR AD711 R
LEMFÖRDER	60.80609.0
LIFT-TEK	LT AD711 R
MAGNETI MARELLI	AC970
SPJ	721-25
TRICLO	111484
VALEO	850851

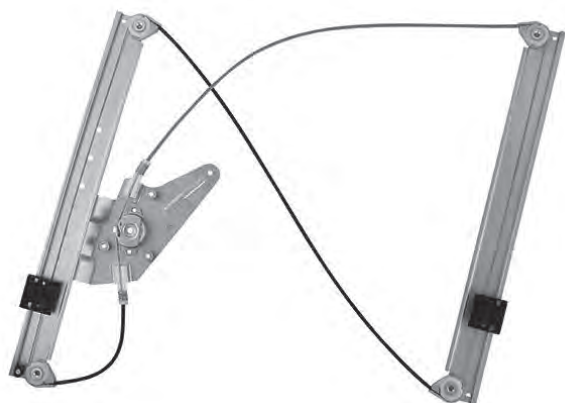
O.E.M.:
AUDI 8E0839462C

REF. 1830.0030246



A6

09/97->03/04



AC ROLCAR	01.3917
DOGA	100067
ELECTRIC LIFE	ZR AD701 L
LEMFÖRDER	60.80477.0
LIFT-TEK	LT AD701 L
MAGNETI MARELLI	AC1081
SPJ	718-24
TRICLO	113647
VALEO	850678

O.E.M.:
AUDI 4B0837461A,
4B0837461C

REF. 1830.0030107






Para vehículos con motor OEM electrónico (con función confort de origen).
For vehicles with electronic OEM motor (confort function).
Pour véhicules avec moteur OEM électronique (fonction confort).
Sólo parte mecánica | Mechanism only | Seulement mécanisme
Eléctrico | Electric | Electrique

AC ROLCAR	01.3916
DOGA	100068
ELECTRIC LIFE	ZR AD701 R
LEMFÖRDER	60.80476.0
LIFT-TEK	LT AD701 R
MAGNETI MARELLI	AC1082
SPJ	718-23
TRICLO	113646
VALEO	850679

O.E.M.:
AUDI 4B0837462A,
4B0837462C

REF. 1830.0030108



MODELO	CRUCES / O.E.M.	REF. / PUERTA
<p>TT 10/98-></p>  <p>Sólo parte mecánica Mechanism only Seulement mécanisme Eléctrico Electric Electrique</p>	<p>DOGA 101525</p> <hr/> <p>O.E.M.: AUDI 8N0837461</p>	<p>REF. 1830.0030279</p> 
<p>Sólo parte mecánica Mechanism only Seulement mécanisme Eléctrico Electric Electrique</p>	<p>DOGA 101526</p> <hr/> <p>O.E.M.: AUDI 8N0837462</p>	<p>REF. 1830.0030280</p> 

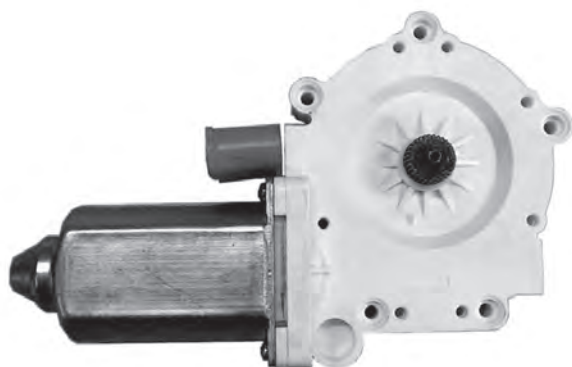
MODELO

CRUCES / O.E.M.

REF. / PUERTA

MINI COOPER

01->



AC ROLCAR	01.4027
DOGA	101311
SPJ	739-48

O.E.M.:
BMW 67626955875

REF. 1830.0030351



AC ROLCAR	01.4026
DOGA	101312
SPJ	739-47

O.E.M.:
BMW 67626955876

REF. 1830.0030352



Sólo motor | Only motor | Uniquement moteur
Eléctrico | Electric | Electrique

MINI ONE COOPER

06/01->06



AC ROLCAR	01.3509
DOGA	101403
LEMFÖRDER	60.81559.0
SPJ	739-22
TRICLO	111493

O.E.M.:
BMW 51337039451

REF. 1830.0030071



AC ROLCAR	01.3508
DOGA	101404
LEMFÖRDER	60.81558.0
SPJ	739-21
TRICLO	111492

O.E.M.:
BMW 51337039452

REF. 1830.0030072



Sólo parte mecánica | Mechanism only | Seulement mécanisme
Eléctrico | Electric | Electrique

MODELO

MINI
06/01->



Para motor OEM con dos conectores.
For OEM motor with two pins.
Pour moteur OEM avec deux prises.

Motor incluido | Motor included | Moteur inclus
Eléctrico | Electric | Electrique

CRUCES / O.E.M.

DOGA	101187
ELECTRIC LIFE	ZR BM33 L
LEMFÖRDER	60.80887.0
LIFT-TEK	LT BM33 L
MAGNETI MARELLI	AC845
VALEO	850902

O.E.M.:
MINI 51332756083

REF. / PUERTA

REF. 1830.0030491



DOGA	101188
ELECTRIC LIFE	ZR BM33 R
LEMFÖRDER	60.80888.0
LIFT-TEK	LT BM33 R
MAGNETI MARELLI	AC846
VALEO	850903

O.E.M.:
MINI 51332756084

REF. 1830.0030492



SERIE 1 (E87)
04->



Para vehículos con motor OEM electrónico (con función confort de origen).
For vehicles with electronic OEM motor (confort function).
Pour véhicules avec moteur OEM électronique (fonction confort).
Sólo parte mecánica | Mechanism only | Seulement mécanisme
Eléctrico | Electric | Electrique

AC ROLCAR	01.3501
DOGA	100863
ELECTRIC LIFE	ZR BM706 L
LEMFÖRDER	60.80315.0
LIFT-TEK	LT BM706 L
MAGNETI MARELLI	AC823
TRICLO	111447
VALEO	850878

O.E.M.:
BMW 51357138467

REF. 1830.0030415



AC ROLCAR	01.3500
DOGA	100864
ELECTRIC LIFE	ZR BM706 R
LEMFÖRDER	60.80314.0
LIFT-TEK	LT BM706 R
MAGNETI MARELLI	AC824
TRICLO	111446
VALEO	850879

O.E.M.:
BMW 51357138468

REF. 1830.0030416



MODELO

CRUCES / O.E.M.

REF. / PUERTA

SERIE 3 E36

90->



AC ROLCAR	01.3989
DOGA	101507
LEMFÖRDER	60.81105.0

O.E.M.:
BMW 51331977609

REF. 1830.0030373



AC ROLCAR	01.3988
DOGA	101508
LEMFÖRDER	60.81104.0

O.E.M.:
BMW 51331977610

REF. 1830.0030374



Sólo parte mecánica | Mechanism only | Seulement mécanisme
Eléctrico | Electric | Electrique

SERIE 3

91->



AC ROLCAR	01.4005
DOGA	100091
ELECTRIC LIFE	ZR BM20 L
LEMFÖRDER	60.39003.0
LIFT-TEK	LT BM20 L
MAGNETI MARELLI	AC521
TRICLO	111534
VALEO	850036

O.E.M.:
BMW 51331977579 (9/1993>),
51331977609 (<8/1993)

REF. 1830.0030469



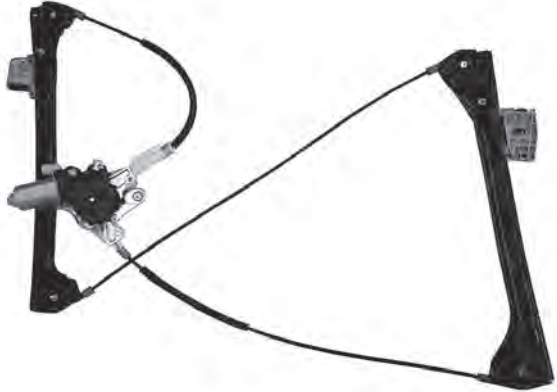

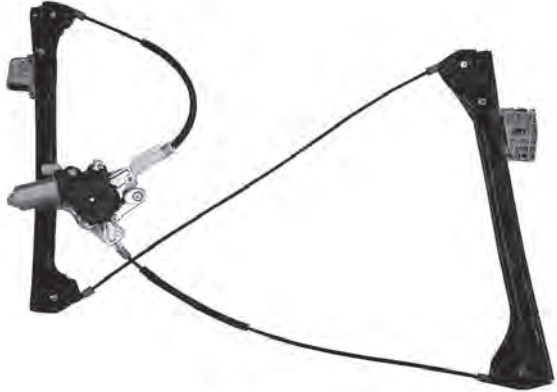

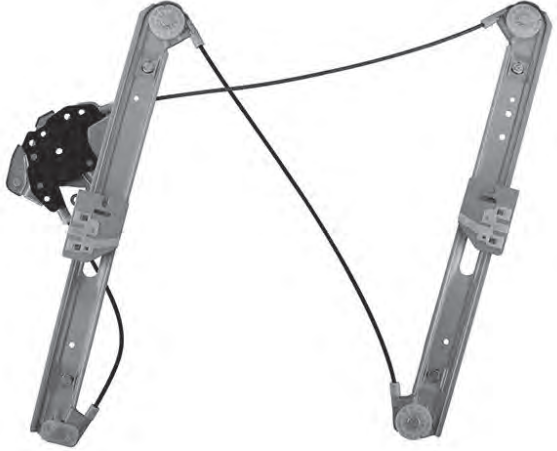

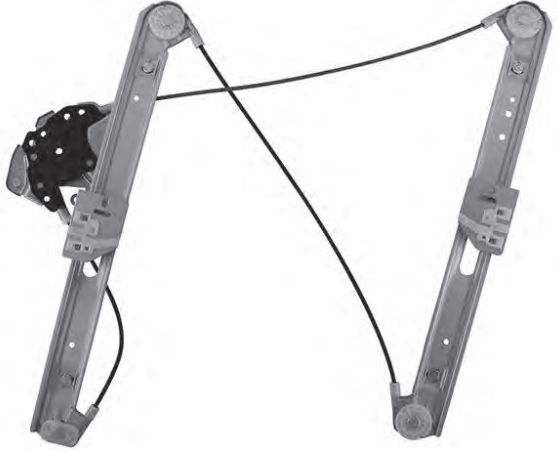

AC ROLCAR	01.4004
DOGA	100092
ELECTRIC LIFE	ZR BM20 R
LEMFÖRDER	60.39002.0
LIFT-TEK	LT BM20 R
MAGNETI MARELLI	AC522
TRICLO	111533
VALEO	850037

O.E.M.:
BMW 51331977580 (9/1993>),
51331977610 (<8/1993)

REF. 1830.0030470



Motor incluido | Motor included | Moteur inclus
Eléctrico | Electric | Electrique

MODELO	CRUCES / O.E.M.	REF. / PUERTA																
<p>SERIE 3 E46 COUPÉ 99-></p>  <p>Motor incluido Motor included Moteur inclus Eléctrico Electric Electrique</p>	<table border="1"> <tr><td>AC ROLCAR</td><td>01.3543</td></tr> <tr><td>DOGA</td><td>101675</td></tr> <tr><td>ELECTRIC LIFE</td><td>ZR BM34 L</td></tr> <tr><td>LEMFÖRDER</td><td>60.81955.0</td></tr> <tr><td>LIFT-TEK</td><td>LT BM34 L</td></tr> </table> <p>O.E.M.: BMW 51338229105</p>	AC ROLCAR	01.3543	DOGA	101675	ELECTRIC LIFE	ZR BM34 L	LEMFÖRDER	60.81955.0	LIFT-TEK	LT BM34 L	<p>REF. 1830.0030377</p> 						
AC ROLCAR	01.3543																	
DOGA	101675																	
ELECTRIC LIFE	ZR BM34 L																	
LEMFÖRDER	60.81955.0																	
LIFT-TEK	LT BM34 L																	
<p>SERIE 3 E46 COUPÉ 99-></p>  <p>Motor incluido Motor included Moteur inclus Eléctrico Electric Electrique</p>	<table border="1"> <tr><td>AC ROLCAR</td><td>01.3542</td></tr> <tr><td>DOGA</td><td>101676</td></tr> <tr><td>ELECTRIC LIFE</td><td>ZR BM34 R</td></tr> <tr><td>LEMFÖRDER</td><td>60.81954.0</td></tr> <tr><td>LIFT-TEK</td><td>LT BM34 R</td></tr> </table> <p>O.E.M.: BMW 51338229106</p>	AC ROLCAR	01.3542	DOGA	101676	ELECTRIC LIFE	ZR BM34 R	LEMFÖRDER	60.81954.0	LIFT-TEK	LT BM34 R	<p>REF. 1830.0030378</p> 						
AC ROLCAR	01.3542																	
DOGA	101676																	
ELECTRIC LIFE	ZR BM34 R																	
LEMFÖRDER	60.81954.0																	
LIFT-TEK	LT BM34 R																	
<p>SERIE 3 E46 (04/98->06/05): BERLINA (->01/05) TOURING (->06/05)</p>  <p>Para vehículos con motor OEM electrónico (con función confort de origen). For vehicles with electronic OEM motor (confort function). Pour véhicules avec moteur OEM électronique (fonction confort). Sólo parte mecánica Mechanism only Seulement mécanisme Eléctrico Electric Electrique</p>	<table border="1"> <tr><td>AC ROLCAR</td><td>01.3993</td></tr> <tr><td>DOGA</td><td>101129</td></tr> <tr><td>ELECTRIC LIFE</td><td>ZR BM703 L</td></tr> <tr><td>LEMFÖRDER</td><td>60.80844.0</td></tr> <tr><td>LIFT-TEK</td><td>LT BM703 L</td></tr> <tr><td>SPJ</td><td>735-24</td></tr> <tr><td>TRICLO</td><td>111409</td></tr> <tr><td>VALEO</td><td>850852</td></tr> </table> <p>O.E.M.: BMW 51337020659, 51338212097</p>	AC ROLCAR	01.3993	DOGA	101129	ELECTRIC LIFE	ZR BM703 L	LEMFÖRDER	60.80844.0	LIFT-TEK	LT BM703 L	SPJ	735-24	TRICLO	111409	VALEO	850852	<p>REF. 1830.0030025</p> 
AC ROLCAR	01.3993																	
DOGA	101129																	
ELECTRIC LIFE	ZR BM703 L																	
LEMFÖRDER	60.80844.0																	
LIFT-TEK	LT BM703 L																	
SPJ	735-24																	
TRICLO	111409																	
VALEO	850852																	
<p>SERIE 3 E46 (04/98->06/05): BERLINA (->01/05) TOURING (->06/05)</p>  <p>Para vehículos con motor OEM electrónico (con función confort de origen). For vehicles with electronic OEM motor (confort function). Pour véhicules avec moteur OEM électronique (fonction confort). Sólo parte mecánica Mechanism only Seulement mécanisme Eléctrico Electric Electrique</p>	<table border="1"> <tr><td>AC ROLCAR</td><td>01.3992</td></tr> <tr><td>DOGA</td><td>101130</td></tr> <tr><td>ELECTRIC LIFE</td><td>ZR BM703 R</td></tr> <tr><td>LEMFÖRDER</td><td>60.80843.0</td></tr> <tr><td>LIFT-TEK</td><td>LT BM703 R</td></tr> <tr><td>SPJ</td><td>735-23</td></tr> <tr><td>TRICLO</td><td>111408</td></tr> <tr><td>VALEO</td><td>850041</td></tr> </table> <p>O.E.M.: BMW 51337020660, 51338212098</p>	AC ROLCAR	01.3992	DOGA	101130	ELECTRIC LIFE	ZR BM703 R	LEMFÖRDER	60.80843.0	LIFT-TEK	LT BM703 R	SPJ	735-23	TRICLO	111408	VALEO	850041	<p>REF. 1830.0030026</p> 
AC ROLCAR	01.3992																	
DOGA	101130																	
ELECTRIC LIFE	ZR BM703 R																	
LEMFÖRDER	60.80843.0																	
LIFT-TEK	LT BM703 R																	
SPJ	735-23																	
TRICLO	111408																	
VALEO	850041																	

MODELO

SERIE 3 E46 (04/98->06/05):
BERLINA (->01/05)
TOURING (->06/05)



Motor incluido | Motor included | Moteur inclus
 Eléctrico | Electric | Electrique

CRUCES / O.E.M.

AC ROLCAR	01.4011
DOGA	100095
ELECTRIC LIFE	ZR BM24 L
LEMFÖRDER	60.39009.0
LIFT-TEK	LT BM24 L
MAGNETI MARELLI	AC297
SPJ	735-24
TRICLO	111407
VALEO	850040

O.E.M.:
BMW 51337020659,
51338212097

REF. / PUERTA

REF. 1830.0030121



AC ROLCAR	01.4010
DOGA	100096
ELECTRIC LIFE	ZR BM24 R
LEMFÖRDER	60.39008.0
LIFT-TEK	LT BM24 R
MAGNETI MARELLI	AC298
SPJ	735-23
TRICLO	111408
VALEO	850041

O.E.M.:
BMW 51337020660,
51338212098

REF. 1830.0030122



SERIE 3 E46 (04/98->06/05):
BERLINA (->01/05)
TOURING (->06/05)



Para vehículos con motor OEM electrónico (con función confort de origen).
 For vehicles with electronic OEM motor (confort function).
 Pour véhicules avec moteur OEM électronique (fonction confort).
Sólo parte mecánica | Mechanism only | Seulement mécanisme
 Eléctrico | Electric | Electrique

AC ROLCAR	01.3995
DOGA	101131
ELECTRIC LIFE	ZR BM704 L
LEMFÖRDER	60.80846.0
LIFT-TEK	LT BM704 L
MAGNETI MARELLI	AC1093
SPJ	735-26
TRICLO	111424
VALEO	850854

O.E.M.:
BMW 51358212099

REF. 1830.0030027



AC ROLCAR	01.3994
DOGA	101132
ELECTRIC LIFE	ZR BM704 R
LEMFÖRDER	60.80845.0
LIFT-TEK	LT BM704 R
MAGNETI MARELLI	AC1094
SPJ	735-25
TRICLO	111425
VALEO	850855

O.E.M.:
BMW 51358212100

REF. 1830.0030028



MODELO

SERIE 3 E46 (04/98->06/05):
BERLINA (->01/05)
TOURING (->06/05)



Motor incluido | Motor included | Moteur inclus
Eléctrico | Electric | Electrique

CRUCES / O.E.M.

AC ROLCAR	01.4013
DOGA	100097
ELECTRIC LIFE	ZR BM25 L
LEMFÖRDER	60.39011.0
LIFT-TEK	LT BM25 L
MAGNETI MARELLI	AC299
SPJ	735-26
VALEO	850042

O.E.M.:
BMW 51358212099

REF. / PUERTA

REF. 1830.0030123



AC ROLCAR	01.4012
DOGA	100098
ELECTRIC LIFE	ZR BM25 R
LEMFÖRDER	60.39010.0
LIFT-TEK	LT BM25 R
MAGNETI MARELLI	AC300
SPJ	735-25
VALEO	850043

O.E.M.:
BMW 51358212100

REF. 1830.0030124



SERIE 3 E90
02/05->



Para vehículos con motor OEM electrónico (con función confort de origen).
For vehicles with electronic OEM motor (confort function).
Pour véhicules avec moteur OEM électronique (fonction confort).
Sólo parte mecánica | Mechanism only | Seulement mécanisme
Eléctrico | Electric | Electrique

AC ROLCAR	01.3503
DOGA	101273
ELECTRIC LIFE	ZR BM708 L
LEMFÖRDER	60.80317.0
LIFT-TEK	LT BM708 L
MAGNETI MARELLI	AC933
SPJ	737-76
TRICLO	111449
VALEO	850926

O.E.M.:
BMW 51357140589

REF. 1830.0030259



AC ROLCAR	01.3502
DOGA	101274
ELECTRIC LIFE	ZR BM708 R
LEMFÖRDER	60.80316.0
LIFT-TEK	LT BM708 R
MAGNETI MARELLI	AC934
SPJ	737-75
TRICLO	111448
VALEO	850927

O.E.M.:
BMW 51357140590

REF. 1830.0030260



MODELO

CRUCES / O.E.M.

REF. / PUERTA

SERIE 3 COMPACT

01->



AC ROLCAR	01.3535
DOGA	100871
LEMFÖRDER	60.80377.0

REF. 1830.0030417



O.E.M.:
BMW 51338251351,
51337079919

AC ROLCAR	01.3534
DOGA	100872
LEMFÖRDER	60.80376.0

REF. 1830.0030418



O.E.M.:
BMW 51338251352,
51337079920

Para vehículos con motor OEM electrónico (con función confort de origen).
For vehicles with electronic OEM motor (confort function).
Pour véhicules avec moteur OEM électronique (fonction confort).
Sólo parte mecánica | Mechanism only | Seulement mécanisme
Eléctrico | Electric | Electrique

SERIE 5 E39 (11/95->05/04):

BERLINA (->06/03)

TOURING (->05/04)



AC ROLCAR	01.3547
DOGA	101275
ELECTRIC LIFE	ZR BM28 L
LEMFÖRDER	60.80861.0
LIFT-TEK	LT BM28 L
SPJ	770-26
TRICLO	111497
VALEO	850928

REF. 1830.0030261



O.E.M.:
BMW 51358252429,
51358159835

AC ROLCAR	01.3546
DOGA	101276
ELECTRIC LIFE	ZR BM28 R
LEMFÖRDER	60.80862.0
LIFT-TEK	LT BM28 R
SPJ	770-25
TRICLO	111496
VALEO	850929

REF. 1830.0030262



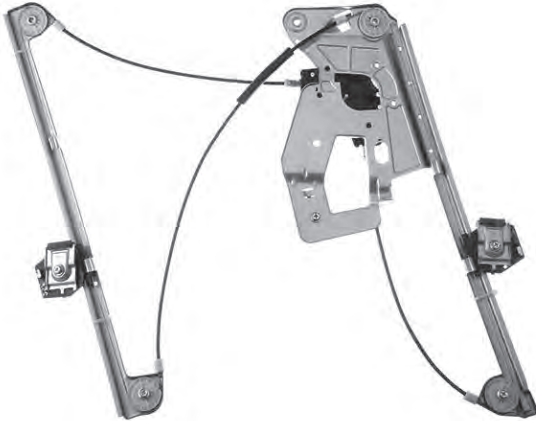
O.E.M.:
BMW 51358252430,
51358159836

Motor incluido | Motor included | Moteur inclus
Eléctrico | Electric | Electrique

MODELO

SERIE 5 E39

03/96->06/03



Sólo parte mecánica | Mechanism only | Seulement mécanisme
Eléctrico | Electric | Electrique

CRUCES / O.E.M.

AC ROLCAR	01.3991
DOGA	101125
ELECTRIC LIFE	ZR BM719 L
LEMFÖRDER	60.80840.0
LIFT-TEK	LT BM719 L
MAGNETI MARELLI	AC1405
SPJ	769-24
TRICLO	111443

O.E.M.:
BMW 51338252393

REF. / PUERTA

REF. 1830.0030021



AC ROLCAR	01.3990
DOGA	101126
ELECTRIC LIFE	ZR BM719 R
LEMFÖRDER	60.80839.0
LIFT-TEK	LT BM719 R
MAGNETI MARELLI	AC1406
SPJ	769-23
TRICLO	111442

O.E.M.:
BMW 51338252394

REF. 1830.0030022



SERIE 5 E39

03/96->06/03



Sólo parte mecánica | Mechanism only | Seulement mécanisme
Eléctrico | Electric | Electrique

AC ROLCAR	01.7471
DOGA	101127
LEMFÖRDER	60.81109.0
TRICLO	111497

O.E.M.:
BMW 51358159835

REF. 1830.0030023



AC ROLCAR	01.7470
DOGA	101128
LEMFÖRDER	60.81108.0
TRICLO	111496

O.E.M.:
BMW 51358159836

REF. 1830.0030024



MODELO

SERIE 5 E39

99->03



Sólo parte mecánica | Mechanism only | Seulement mécanisme
Eléctrico | Electric | Electrique

CRUCES / O.E.M.

AC ROLCAR	01.7473
DOGA	101405
ELECTRIC LIFE	ZR BM725 L
LEMFÖRDER	60.80842.0
LIFT-TEK	LT BM725 L
TRICLO	111497

O.E.M.:
BMW 51358252429

REF. / PUERTA

REF. 1830.0030287



AC ROLCAR	01.7472
DOGA	101406
ELECTRIC LIFE	ZR BM725 R
LEMFÖRDER	60.80841.0
LIFT-TEK	LT BM725 R
TRICLO	111496

O.E.M.:
BMW 51358252430

REF. 1830.0030288



X3 E83

01/04->



Para vehículos con motor OEM electrónico (con función confort de origen).
For vehicles with electronic OEM motor (confort function).
Pour véhicules avec moteur OEM électronique (fonction confort).
Sólo parte mecánica | Mechanism only | Seulement mécanisme
Eléctrico | Electric | Electrique

AC ROLCAR	01.7487
DOGA	101015
ELECTRIC LIFE	ZR BM701 L
LEMFÖRDER	63.80614.0
LIFT-TEK	LT BM701 L
MAGNETI MARELLI	AC1087
SPJ	768-24
TRICLO	111487
VALEO	850818

O.E.M.:
BMW 51333448249

REF. 1830.0030039



AC ROLCAR	01.7486
DOGA	101016
ELECTRIC LIFE	ZR BM701 R
LEMFÖRDER	63.80615.0
LIFT-TEK	LT BM701 R
MAGNETI MARELLI	AC1088
SPJ	768-23
TRICLO	111486
VALEO	850819

O.E.M.:
BMW 51333448250

REF. 1830.0030040



MODELO

CRUCES / O.E.M.

REF. / PUERTA

X3 E83
01/04->



AC ROLCAR	01.7569
DOGA	101017
ELECTRIC LIFE	ZR BM702 L
LEMFÖRDER	63.80616.0
LIFT-TEK	LT BM702 L
MAGNETI MARELLI	AC1091
SPJ	768-26
TRICLO	111488
VALEO	850820

O.E.M.:
BMW 51353448251

REF. 1830.0030041



AC ROLCAR	01.7568
DOGA	101018
ELECTRIC LIFE	ZR BM702 R
LEMFÖRDER	63.80617.0
LIFT-TEK	LT BM702 R
MAGNETI MARELLI	AC1092
SPJ	768-25
TRICLO	111479
VALEO	850821

O.E.M.:
BMW 51353448252

REF. 1830.0030042



Para vehículos con motor OEM electrónico (con función confort de origen).
For vehicles with electronic OEM motor (confort function).
Pour véhicules avec moteur OEM électronique (fonction confort).
Sólo parte mecánica | Mechanism only | Seulement mécanisme
Eléctrico | Electric | Electrique

X5 E53
99->10/06



AC ROLCAR	01.3997
DOGA	101307
ELECTRIC LIFE	ZR BM709L
LEMFÖRDER	63.80805.0
LIFT-TEK	LT BM709 L
MAGNETI MARELLI	AC1095
SPJ	777-24
TRICLO	111437

O.E.M.:
BMW 51338254911

REF. 1830.0030265



AC ROLCAR	01.3996
DOGA	101308
ELECTRIC LIFE	ZR BM709R
LEMFÖRDER	63.80806.0
LIFT-TEK	LT BM709 R
MAGNETI MARELLI	AC1096
SPJ	777-23
TRICLO	111436

O.E.M.:
BMW 51338254912

REF. 1830.0030266



Para vehículos con motor OEM electrónico (con función confort de origen).
For vehicles with electronic OEM motor (confort function).
Pour véhicules avec moteur OEM électronique (fonction confort).
Sólo parte mecánica | Mechanism only | Seulement mécanisme
Eléctrico | Electric | Electrique

MODELO

X5 E53
99->10/06



Motor incluido | Motor included | Moteur inclus
Eléctrico | Electric | Electrique

X5 E53
99->10/06



Para vehículos con motor OEM electrónico (con función confort de origen).
For vehicles with electronic OEM motor (confort function).
Pour véhicules avec moteur OEM électronique (fonction confort).
Sólo parte mecánica | Mechanism only | Seulement mécanisme
Eléctrico | Electric | Electrique

CRUCES / O.E.M.

AC ROLCAR	01.7497
DOGA	101019
ELECTRIC LIFE	ZR BM31 L
LEMFÖRDER	63.80610.0
LIFT-TEK	LT BM31 L
MAGNETI MARELLI	AC1095
SPJ	777-24
TRICLO	111478
VALEO	850822

O.E.M.:
BMW 51338254911

AC ROLCAR	01.7496
DOGA	101020
ELECTRIC LIFE	ZR BM31 R
LEMFÖRDER	63.80611.0
LIFT-TEK	LT BM31 R
MAGNETI MARELLI	AC1096
SPJ	777-23
TRICLO	111481
VALEO	850823

O.E.M.:
BMW 51338254912

AC ROLCAR	01.3999
DOGA	101309
ELECTRIC LIFE	ZR BM710L
LEMFÖRDER	63.80807.0
LIFT-TEK	LT BM710 L
SPJ	777-26
TRICLO	111439

O.E.M.:
BMW 51357125059

AC ROLCAR	01.3998
DOGA	101310
ELECTRIC LIFE	ZR BM710R
LEMFÖRDER	63.80808.0
LIFT-TEK	LT BM710 R
SPJ	777-25
TRICLO	111438

O.E.M.:
BMW 51357125060

REF. / PUERTA

REF. 1830.0030043



REF. 1830.0030044



REF. 1830.0030267



REF. 1830.0030268



MODELO

X5 E53
99->10/06



Motor incluido | Motor included | Moteur inclus
Eléctrico | Electric | Electrique

CRUCES / O.E.M.

AC ROLCAR	01.7499
DOGA	101021
ELECTRIC LIFE	ZR BM32 L
LEMFÖRDER	63.80612.0
LIFT-TEK	LT BM32 L
MAGNETI MARELLI	AC741
SPJ	777-26
TRICLO	111480
VALEO	850824

O.E.M.:
BMW 51357125059

AC ROLCAR	01.7498
DOGA	101022
ELECTRIC LIFE	ZR BM32 R
LEMFÖRDER	63.80613.0
LIFT-TEK	LT BM32 R
SPJ	777-25
TRICLO	114077
VALEO	850825

O.E.M.:
BMW 51357125060

REF. / PUERTA

REF. 1830.0030045



REF. 1830.0030046



MODELO

AVEO
09/02->



Motor incluido | Motor included | Moteur inclus
Eléctrico | Electric | Electrique

CRUCES / O.E.M.

AC ROLCAR	01.7821
DOGA	100307
ELECTRIC LIFE	ZR GM106 L
LEMFÖRDER	60.80391.0
LIFT-TEK	LT GM106 L
MAGNETI MARELLI	AC553
VALEO	850630

O.E.M.:
CHEVROLET 96541783

AC ROLCAR	01.7820
DOGA	100308
ELECTRIC LIFE	ZR GM106 R
LEMFÖRDER	60.80390.0
LIFT-TEK	LT GM106 R
MAGNETI MARELLI	AC554
VALEO	850631

O.E.M.:
CHEVROLET 96541784

REF. / PUERTA

REF. 1830.0030473



REF. 1830.0030474



KALOS
09/02->



Motor incluido | Motor included | Moteur inclus
Eléctrico | Electric | Electrique

AC ROLCAR	01.7821
DOGA	100307
ELECTRIC LIFE	ZR GM106 L
LEMFÖRDER	60.80391.0
LIFT-TEK	LT GM106 L
MAGNETI MARELLI	AC553
VALEO	850630

O.E.M.:
CHEVROLET 96541783

AC ROLCAR	01.7820
DOGA	100308
ELECTRIC LIFE	ZR GM106 R
LEMFÖRDER	60.80390.0
LIFT-TEK	LT GM106 R
MAGNETI MARELLI	AC554
VALEO	850631

O.E.M.:
CHEVROLET 96541784

REF. 1830.0030473



REF. 1830.0030474



MODELO

VOYAGER

01/95->07/04



Motor incluido | Motor included | Moteur inclus
Eléctrico | Electric | Electrique

CRUCES / O.E.M.

AC ROLCAR	01.4707
DOGA	100105
ELECTRIC LIFE	ZR CR36 L
LEMFÖRDER	64.55003.0
LIFT-TEK	LT CR36 L
MAGNETI MARELLI	AC103
TRICLO	111163
VALEO	850046

O.E.M.:
DODGE 4796307,
68037297AA

REF. / PUERTA

REF. 1830.0030125



AC ROLCAR	01.4706
DOGA	100106
ELECTRIC LIFE	ZR CR36 R
LEMFÖRDER	64.55002.0
LIFT-TEK	LT CR36 R
MAGNETI MARELLI	AC104
TRICLO	111162

O.E.M.:
DODGE 4675586AB,
4796306, 4796318AB

REF. 1830.0030126



VOYAGER

08/04->



Motor incluido | Motor included | Moteur inclus
Eléctrico | Electric | Electrique

AC ROLCAR	01.4709
DOGA	100107
ELECTRIC LIFE	ZR CR412 L
LEMFÖRDER	64.80481.0
LIFT-TEK	LT CR412 L
MAGNETI MARELLI	AC1097
TRICLO	111455
VALEO	850660

O.E.M.:
DODGE 4894527AA

REF. 1830.0030127



AC ROLCAR	01.4708
DOGA	100108
ELECTRIC LIFE	ZR CR412 R
LEMFÖRDER	64.80480.0
LIFT-TEK	LT CR412 R
MAGNETI MARELLI	AC1098
TRICLO	111454
VALEO	850661

O.E.M.:
DODGE 4894526AA

REF. 1830.0030128



MODELO

VOYAGER

08/04->12/08



Motor incluido | Motor included | Moteur inclus
Eléctrico | Electric | Electrique

CRUCES / O.E.M.

AC ROLCAR	01.4711
DOGA	101313
LEMFÖRDER	64.80481.0
TRICLO	111163

O.E.M.:
CHRYSLER 4894537AA

AC ROLCAR	01.4710
DOGA	101314
LEMFÖRDER	64.80480.0
TRICLO	111162

O.E.M.:
CHRYSLER 4894536AA

REF. / PUERTA

REF. 1830.0030367



REF. 1830.0030368



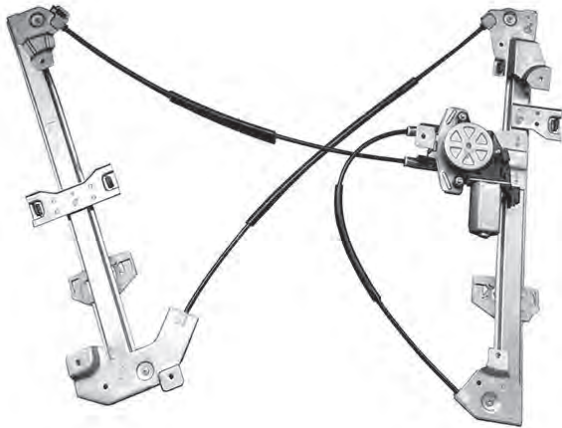
MODELO

CRUCES / O.E.M.

REF. / PUERTA

BERLINGO

02/95->



AC ROLCAR	01.4135
DOGA	100007
ELECTRIC LIFE	ZR CT22 L
LEMFÖRDER	60.50053.0
LIFT-TEK	LT CT22 L
MAGNETI MARELLI	AC121
SPJ	202-02
TRICLO	111145
VALEO	850062

O.E.M.:
PSA 9221ES, 9221G3

REF. 1830.0030135



AC ROLCAR	01.4134
DOGA	100008
ELECTRIC LIFE	ZR CT22 R
LEMFÖRDER	60.50052.0
LIFT-TEK	LT CT22 R
MAGNETI MARELLI	AC122
SPJ	202-01
TRICLO	111144
VALEO	850063

O.E.M.:
PSA 9222EQ, 9222G1

REF. 1830.0030136



Motor incluido | Motor included | Moteur inclus
Eléctrico | Electric | Electrique

BERLINGO

07/96->



AC ROLCAR	03.4135
DOGA	110009
ELECTRIC LIFE	ZR ZA931 L
LEMFÖRDER	60.80455.0
LIFT-TEK	LT ZA931 L
MAGNETI MARELLI	AC1511

O.E.M.:
CITROËN 9221A4

REF. 1830.30425MA



AC ROLCAR	03.4134
DOGA	110010
ELECTRIC LIFE	ZR ZA931 R
LEMFÖRDER	60.80454.0
LIFT-TEK	LT ZA931 R
MAGNETI MARELLI	AC1512

O.E.M.:
CITROËN 9222A4

REF. 1830.30426MA

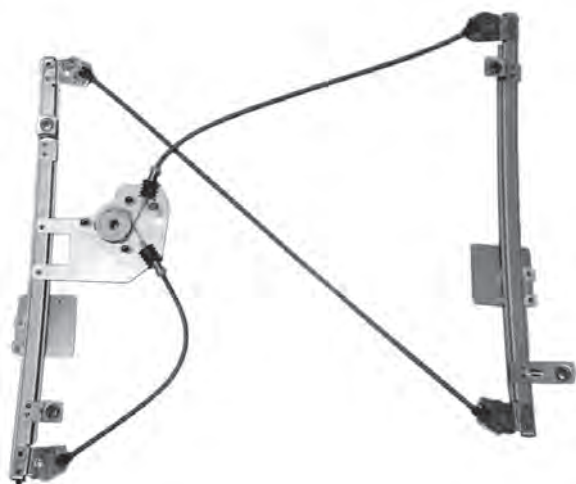


Sólo parte mecánica | Mechanism only | Seulement mécanisme
Manual | Manually | Manuel

MODELO

BERLINGO

96->08



Sólo parte mecánica | Mechanism only | Seulement mécanisme
Eléctrico | Electric | Electrique

CRUCES / O.E.M.

AC ROLCAR	01.2435
DOGA	101741
ELECTRIC LIFE	ZR CT726 L
LEMFÖRDER	60.80455.0
LIFT-TEK	LT CT726 L
MAGNETI MARELLI	AC1511
TRICLO	111751

O.E.M.:
CITROËN/PEUGEOT 9221G3,
9221A4

AC ROLCAR	01.2434
DOGA	101742
ELECTRIC LIFE	ZR CT726 R
LEMFÖRDER	60.80454.0
LIFT-TEK	LT CT726 R
MAGNETI MARELLI	AC1512
TRICLO	111750

O.E.M.:
CITROËN/PEUGEOT 9222G1,
9222A4

REF. / PUERTA

REF. 1830.0030507



REF. 1830.0030508



BERLINGO

04/08->



Para vehículos con motor OEM electrónico (con función confort de origen).
For vehicles with electronic OEM motor (confort function).
Pour véhicules avec moteur OEM électronique (fonction confort).
Sólo parte mecánica | Mechanism only | Seulement mécanisme
Eléctrico | Electric | Electrique

AC ROLCAR	01.2467
DOGA	101279
ELECTRIC LIFE	ZR CT714 L
LEMFÖRDER	60.80865.0
LIFT-TEK	LT CT714 L
MAGNETI MARELLI	AC919
TRICLO	111719
VALEO	850932

O.E.M.:
PEUGEOT 9221ES

AC ROLCAR	01.2466
DOGA	101280
ELECTRIC LIFE	ZR CT714 R
LEMFÖRDER	60.80866.0
LIFT-TEK	LT CT714 R
MAGNETI MARELLI	AC920
TRICLO	111718
VALEO	850933

O.E.M.:
PEUGEOT 9222ER

REF. 1830.0030495



REF. 1830.0030496



MODELO

C3 (Classic, Elegance, Exclusive)
06/02->09/09



Para vehículos con motor OEM electrónico (con función confort de origen).
For vehicles with electronic OEM motor (confort function).
Pour véhicules avec moteur OEM électronique (fonction confort).
Sólo parte mecánica | Mechanism only | Seulement mécanisme
Eléctrico | Electric | Électrique

CRUCES / O.E.M.

DOGA	100151
ELECTRIC LIFE	ZR CT709 L
LEMFÖRDER	60.80620.0
LIFT-TEK	LT CT709 L
MAGNETI MARELLI	AC729
SPJ	208-24
TRICLO	111331
VALEO	850720

O.E.M.:
CITROËN 9221AQ, 9221N7

REF. / PUERTA

REF. 1830.0030137



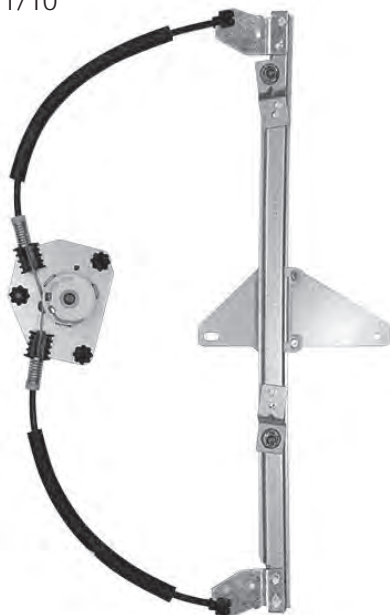
DOGA	100152
ELECTRIC LIFE	ZR CT709 R
LEMFÖRDER	60.80621.0
LIFT-TEK	LT CT709 R
MAGNETI MARELLI	AC730
SPJ	208-23
TRICLO	111330
VALEO	850721

O.E.M.:
CITROËN 9222AN, 9222N5

REF. 1830.0030138



C4
11/04->11/10



Para vehículos con motor OEM electrónico (con función confort de origen).
For vehicles with electronic OEM motor (confort function).
Pour véhicules avec moteur OEM électronique (fonction confort).
Sólo parte mecánica | Mechanism only | Seulement mécanisme
Eléctrico | Electric | Électrique

AC ROLCAR	01.2407
DOGA	100143
ELECTRIC LIFE	ZR CT705 L
LEMFÖRDER	60.80489.0
LIFT-TEK	LT CT705 L
MAGNETI MARELLI	AC583
SPJ	207-24
TRICLO	111345
VALEO	850682

O.E.M.:
CITROËN 9221V1

REF. 1830.0030131



AC ROLCAR	01.2406
DOGA	100144
ELECTRIC LIFE	ZR CT705 R
LEMFÖRDER	60.80488.0
LIFT-TEK	LT CT705 R
MAGNETI MARELLI	AC584
SPJ	207-23
TRICLO	111344
VALEO	850683

O.E.M.:
CITROËN 9222V0

REF. 1830.0030132



MODELO

C5
10/04->04/08



Para vehículos con motor OEM electrónico (con función confort de origen).
For vehicles with electronic OEM motor (confort function).
Pour véhicules avec moteur OEM électronique (fonction confort).
Sólo parte mecánica | Mechanism only | Seulement mécanisme
Eléctrico | Electric | Electrique

CRUCES / O.E.M.

AC ROLCAR	01.2411
DOGA	100139
ELECTRIC LIFE	ZR CT703 L
LEMFÖRDER	60.80383.0
LIFT-TEK	LT CT703 L
MAGNETI MARELLI	AC587
TRICLO	111351
VALEO	850648

O.E.M.:
CITROËN 9221P7

REF. / PUERTA

REF. 1830.0030397



AC ROLCAR	01.2410
DOGA	100140
ELECTRIC LIFE	ZR CT703 R
LEMFÖRDER	60.80382.0
LIFT-TEK	LT CT703 R
MAGNETI MARELLI	AC588
TRICLO	111350
VALEO	850649

O.E.M.:
CITROËN 9222P5

REF. 1830.0030398



EVASION

95->



Motor incluido | Motor included | Moteur inclus
Eléctrico | Electric | Electrique

AC ROLCAR	A1.1751
DOGA	100837
ELECTRIC LIFE	ZR ZA24 L
LEMFÖRDER	64.40001.0
LIFT-TEK	LT ZA24 L
MAGNETI MARELLI	AC071
TRICLO	111153
VALEO	850488

O.E.M.:
**CITROËN / FIAT 9221H5,
922191HS**

REF. 1830.0030411



AC ROLCAR	A1.1750
DOGA	100838
ELECTRIC LIFE	ZR ZA24 R
LEMFÖRDER	64.40000.0
LIFT-TEK	LT ZA24 R
MAGNETI MARELLI	AC072
TRICLO	111152
VALEO	850489

O.E.M.:
**CITROËN / FIAT 922290FS,
9222F5, 9222H3**

REF. 1830.0030412



MODELO

CRUCES / O.E.M.

REF. / PUERTA

JUMPER

94->



AC ROLCAR	01.2507
DOGA	100833
ELECTRIC LIFE	ZR ZA21 L B
LEMFÖRDER	64.70089.0
LIFT-TEK	LT ZA21 L B
MAGNETI MARELLI	AC086
TRICLO	113921
VALEO	850484

O.E.M.:

FIAT / PEUGEOT 1313852080,
1322758080, 1341396080

REF. 1830.0030451



AC ROLCAR	01.2506
DOGA	100834
ELECTRIC LIFE	ZR ZA21 R B
LEMFÖRDER	64.70088.0
LIFT-TEK	LT ZA21 R B
MAGNETI MARELLI	AC087
TRICLO	113920
VALEO	850485

O.E.M.:

FIAT / PEUGEOT 1313851080,
1322757080, 1341395080

REF. 1830.0030452



Motor incluido | Motor included | Moteur inclus
Eléctrico | Electric | Electrique

JUMPER

07/06->



AC ROLCAR	01.2515
DOGA	100853
ELECTRIC LIFE	ZR ZA702 L
LEMFÖRDER	64.80497.0
LIFT-TEK	LT ZA702 L
MAGNETI MARELLI	AC1053
SPJ	566-22
TRICLO	111355
VALEO	850686

O.E.M.:

FIAT / PSA 1607706980, 9221X7,
1368922080, 1340453080

REF. 1830.0030033



AC ROLCAR	01.2514
DOGA	100854
ELECTRIC LIFE	ZR ZA702 R
LEMFÖRDER	64.80496.0
LIFT-TEK	LT ZA702 R
MAGNETI MARELLI	AC1054
SPJ	566-21
TRICLO	111354
VALEO	850687

O.E.M.:

FIAT / PSA 1340398080,
1368042080, 1607707180, 9222X6

REF. 1830.0030034



Para vehículos con motor OEM electrónico (con función confort de origen).
For vehicles with electronic OEM motor (confort function).
Pour véhicules avec moteur OEM électronique (fonction confort).
Sólo parte mecánica | Mechanism only | Seulement mécanisme
Eléctrico | Electric | Electrique

MODELO

CRUCES / O.E.M.

REF. / PUERTA

JUMPY

01/07->



AC ROLCAR	01.1755
DOGA	100855
ELECTRIC LIFE	ZR ZA703 L
LEMFÖRDER	64.80803.0
LIFT-TEK	LT ZA703 L
MAGNETI MARELLI	AC731
TRICLO	114057
VALEO	850724

O.E.M.:
FIAT / PEUGEOT 9221Z6

REF. 1830.0030285



AC ROLCAR	01.1754
DOGA	100856
ELECTRIC LIFE	ZR ZA703 R
LEMFÖRDER	64.80804.0
LIFT-TEK	LT ZA703 R
MAGNETI MARELLI	AC732
TRICLO	114056
VALEO	850725

O.E.M.:
FIAT / PEUGEOT 9222Z5

REF. 1830.0030286



Para vehículos con motor OEM electrónico (con función confort de origen).
For vehicles with electronic OEM motor (confort function).
Pour véhicules avec moteur OEM électronique (fonction confort).
Sólo parte mecánica | Mechanism only | Seulement mécanisme
Eléctrico | Electric | Electrique

JUMPY

95->



AC ROLCAR	A1.1751
DOGA	100837
ELECTRIC LIFE	ZR ZA24 L
LEMFÖRDER	64.40001.0
LIFT-TEK	LT ZA24 L
MAGNETI MARELLI	AC071
TRICLO	111153
VALEO	850488

O.E.M.:
CITROËN / FIAT 9221H5,
922191HS

REF. 1830.0030411



AC ROLCAR	A1.1750
DOGA	100838
ELECTRIC LIFE	ZR ZA24 R
LEMFÖRDER	64.40000.0
LIFT-TEK	LT ZA24 R
MAGNETI MARELLI	AC072
TRICLO	111152
VALEO	850489

O.E.M.:
CITROËN / FIAT 922290FS,
9222F5, 9222H3

REF. 1830.0030412



Motor incluido | Motor included | Moteur inclus
Eléctrico | Electric | Electrique

MODELO

NEMO

08->



Para vehículos con motor OEM electrónico (con función confort de origen).
For vehicles with electronic OEM motor (confort function).
Pour véhicules avec moteur OEM électronique (fonction confort).
Sólo parte mecánica | Mechanism only | Seulement mécanisme
Eléctrico | Electric | Electrique

CRUCES / O.E.M.

AC ROLCAR	01.0505
DOGA	101029
ELECTRIC LIFE	ZR ZA704 L
LEMFÖRDER	60.80805.0
LIFT-TEK	LT ZA704 L
MAGNETI MARELLI	AC735
SPJ	572-22
TRICLO	111315
VALEO	850726

O.E.M.:
CITROËN 9221EP

REF. / PUERTA

REF. 1830.0030329



AC ROLCAR	01.0504
DOGA	101030
ELECTRIC LIFE	ZR ZA704 R
LEMFÖRDER	60.80806.0
LIFT-TEK	LT ZA704 R
MAGNETI MARELLI	AC736
SPJ	572-21
TRICLO	111314
VALEO	850727

O.E.M.:
CITROËN 9222EN

REF. 1830.0030330



SAXO Enterprise

09/96->



AC ROLCAR	A1.4409
DOGA	100529
ELECTRIC LIFE	ZR PG17 L
LEMFÖRDER	60.40011.0
LIFT-TEK	LT PG17 L
MAGNETI MARELLI	AC129
SPJ	212-02
TRICLO	118301
VALEO	850314

O.E.M.:
PSA 9221F4, 922177

REF. 1830.0030017



AC ROLCAR	A1.4408
DOGA	100530
ELECTRIC LIFE	ZR PG17 R
LEMFÖRDER	60.40010.0
LIFT-TEK	LT PG17 R
MAGNETI MARELLI	AC130
SPJ	212-01
TRICLO	118300
VALEO	850315

O.E.M.:
PSA 922276, 9222F2

REF. 1830.0030018



Motor incluido | Motor included | Moteur inclus
Eléctrico | Electric | Electrique

MODELO

SAXO

96->



Motor incluido | Motor included | Moteur inclus
Eléctrico | Electric | Electrique

XANTIA

02/93->



Para vehículos con motor OEM electrónico (con función confort de origen).
For vehicles with electronic OEM motor (confort function).
Pour véhicules avec moteur OEM électronique (fonction confort).
Sólo parte mecánica | Mechanism only | Seulement mécanisme
Eléctrico | Electric | Electrique

CRUCES / O.E.M.

AC ROLCAR	A1.4411
DOGA	100531
ELECTRIC LIFE	ZR PG18 L
LEMFÖRDER	60.40037.0
LIFT-TEK	LT PG18 L
MAGNETI MARELLI	AC131
TRICLO	118303
VALEO	850316

O.E.M.:
CITROËN/PEUGEOT 9221F5

AC ROLCAR	A1.4410
DOGA	100532
ELECTRIC LIFE	ZR PG18 R
LEMFÖRDER	60.40036.0
LIFT-TEK	LT PG18 R
MAGNETI MARELLI	AC132
TRICLO	118302
VALEO	850317

O.E.M.:
CITROËN/PEUGEOT 9222F3

AC ROLCAR	01.2499
DOGA	101283
ELECTRIC LIFE	ZR CT713 L
LEMFÖRDER	60.80869.0
LIFT-TEK	LT CT713 L
TRICLO	111869
VALEO	850936

O.E.M.:
CITROËN 9221E1

DOGA	101284
ELECTRIC LIFE	ZR CT713 R
LEMFÖRDER	60.80870.0
LIFT-TEK	LT CT713 R
TRICLO	111868
VALEO	850937

O.E.M.:
CITROËN 9221E0

REF. / PUERTA

REF. 1830.0030401



REF. 1830.0030402



REF. 1830.0030263



REF. 1830.0030264



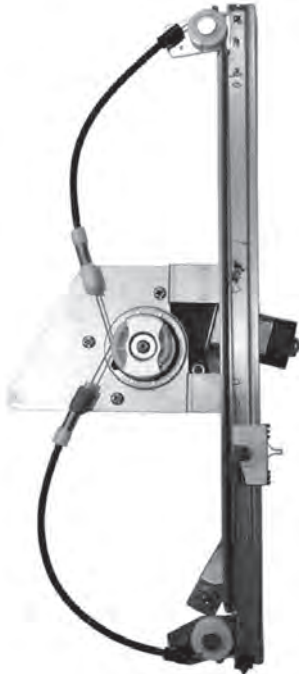
MODELO

CRUCES / O.E.M.

REF. / PUERTA

XANTIA

93->01



AC ROLCAR	A1.4119
DOGA	100119
ELECTRIC LIFE	ZR CT13 L B
LEMFÖRDER	60.50045.0
LIFT-TEK	LT CT13 L B
MAGNETI MARELLI	AC119
TRICLO	111015
VALEO	850058

O.E.M.:
CITROËN 96092316

REF. 1830.0030393



REF. 1830.0030394



Motor incluido | Motor included | Moteur inclus
Eléctrico | Electric | Electrique

AC ROLCAR	A1.4118
DOGA	100120
ELECTRIC LIFE	ZR CT13 R B
LEMFÖRDER	60.50044.0
LIFT-TEK	LT CT13 R B
MAGNETI MARELLI	AC120
TRICLO	111014
VALEO	850059

O.E.M.:
CITROËN 96092315

XSARA II

10/00->12/05



AC ROLCAR	01.2461
DOGA	100147
ELECTRIC LIFE	ZR CT707 L
LEMFÖRDER	60.80618.0
LIFT-TEK	LT CT707 L
MAGNETI MARELLI	AC737
SPJ	216-22
TRICLO	111361
VALEO	850728

O.E.M.:
CITROËN 9221L1

REF. 1830.0030133



REF. 1830.0030134



Para vehículos con motor OEM electrónico (con función confort de origen).
For vehicles with electronic OEM motor (confort function).
Pour véhicules avec moteur OEM électronique (fonction confort).
Sólo parte mecánica | Mechanism only | Seulement mécanisme
Eléctrico | Electric | Electrique

AC ROLCAR	01.2460
DOGA	100148
ELECTRIC LIFE	ZR CT707 R
LEMFÖRDER	60.80619.0
LIFT-TEK	LT CT707 R
MAGNETI MARELLI	AC738
SPJ	216-21
TRICLO	111360
VALEO	850729

O.E.M.:
CITROËN 9222K9

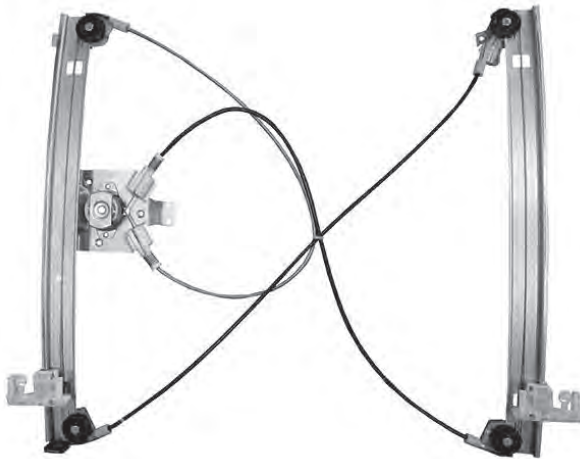
MODELO

CRUCES / O.E.M.

REF. / PUERTA

XSARA II

10/00->12/05



AC ROLCAR	01.2415
DOGA	100155
ELECTRIC LIFE	ZR CT701 L
LIFT-TEK	LT CT701 L
MAGNETI MARELLI	AC739
SPJ	216-24
TRICLO	111229
VALEO	850600

O.E.M.:
CITROËN 9221L3

REF. 1830.0030139



AC ROLCAR	01.2414
DOGA	100156
ELECTRIC LIFE	ZR CT701 R
LIFT-TEK	LT CT701 R
MAGNETI MARELLI	AC740
SPJ	216-23
TRICLO	111228
VALEO	850601

O.E.M.:
CITROËN 9222L1

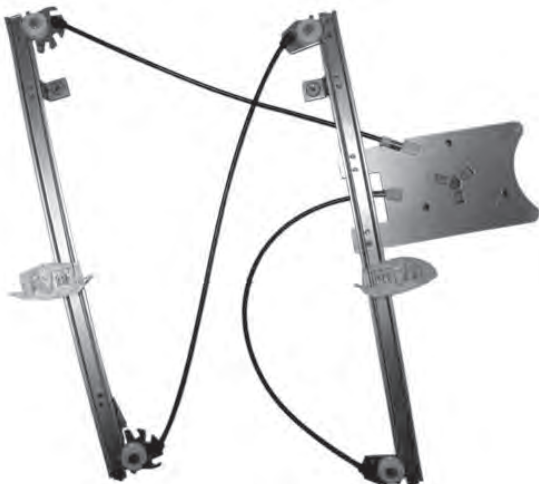
REF. 1830.0030140



Para vehículos con motor OEM electrónico (con función confort de origen).
For vehicles with electronic OEM motor (confort function).
Pour véhicules avec moteur OEM électronique (fonction confort).
Sólo parte mecánica | Mechanism only | Seulement mécanisme
Eléctrico | Electric | Electrique

XSARA PICASSO

07/99->



AC ROLCAR	01.2419
DOGA	100137
ELECTRIC LIFE	ZR CT702 L
LEMFÖRDER	60.80389.0
LIFT-TEK	LT CT702 L
MAGNETI MARELLI	AC559
VALEO	850586

O.E.M.:
CITROËN 9221ET, 9221G2

REF. 1830.0030311



AC ROLCAR	01.2418
DOGA	100138
ELECTRIC LIFE	ZR CT702 R
LEMFÖRDER	60.80388.0
LIFT-TEK	LT CT702 R
MAGNETI MARELLI	AC560
VALEO	850587

O.E.M.:
CITROËN 9222ET, 9222F9

REF. 1830.0030312



Para vehículos con motor OEM electrónico (con función confort de origen).
For vehicles with electronic OEM motor (confort function).
Pour véhicules avec moteur OEM électronique (fonction confort).
Sólo parte mecánica | Mechanism only | Seulement mécanisme
Eléctrico | Electric | Electrique

MODELO

XSARA PICASSO

07/99->



Sólo parte mecánica | Mechanism only | Seulement mécanisme
Eléctrico | Electric | Electrique

CRUCES / O.E.M.

AC ROLCAR 01.2449
LEMFÖRDER 60.81221.0

O.E.M.:
CITROËN 9221G2

AC ROLCAR 01.2448
LEMFÖRDER 60.81220.0

O.E.M.:
CITROËN 9222F9

REF. / PUERTA

REF. 1830.0030129



REF. 1830.0030130



MODELO

CRUCES / O.E.M.

REF. / PUERTA

KALOS

09/02->



AC ROLCAR	01.7821
DOGA	100307
ELECTRIC LIFE	ZR GM106 L
LEMFÖRDER	60.80391.0
LIFT-TEK	LT GM106 L
MAGNETI MARELLI	AC553
VALEO	850630

O.E.M.:
CHEVROLET 96541783

REF. 1830.0030473



AC ROLCAR	01.7820
DOGA	100308
ELECTRIC LIFE	ZR GM106 R
LEMFÖRDER	60.80390.0
LIFT-TEK	LT GM106 R
MAGNETI MARELLI	AC554
VALEO	850631

O.E.M.:
CHEVROLET 96541784

REF. 1830.0030474



Motor incluido | Motor included | Moteur inclus
Eléctrico | Electric | Electrique

LANOS

05/97->



AC ROLCAR	01.6841
DOGA	100195
ELECTRIC LIFE	ZR DW14 L
LEMFÖRDER	60.47001.0
LIFT-TEK	LT DW14 L
MAGNETI MARELLI	AC309
TRICLO	118193
VALEO	850088

O.E.M.:
CHEVROLET, DAEWOO
96233470

REF. 1830.0030153



AC ROLCAR	01.6840
DOGA	100196
ELECTRIC LIFE	ZR DW14 R
LEMFÖRDER	60.47000.0
LIFT-TEK	LT DW14 R
MAGNETI MARELLI	AC310
TRICLO	118192
VALEO	850089

O.E.M.:
CHEVROLET, DAEWOO
96233471

REF. 1830.0030154



Motor incluido | Motor included | Moteur inclus
Eléctrico | Electric | Electrique

MODELO

LANOS

05/97->



Motor incluido | Motor included | Moteur inclus
Eléctrico | Electric | Electrique

CRUCES / O.E.M.

AC ROLCAR	01.6843
DOGA	100193
ELECTRIC LIFE	ZR DW11 L
LEMFÖRDER	60.47003.0
LIFT-TEK	LT DW11 L
MAGNETI MARELLI	AC311
TRICLO	118195
VALEO	850086

O.E.M.:
CHEVROLET 96225383

REF. / PUERTA

REF. 1830.0030151



AC ROLCAR	01.6842
DOGA	100194
ELECTRIC LIFE	ZR DW11 R
LEMFÖRDER	60.47002.0
LIFT-TEK	LT DW11 R
MAGNETI MARELLI	AC312
TRICLO	118194
VALEO	850087

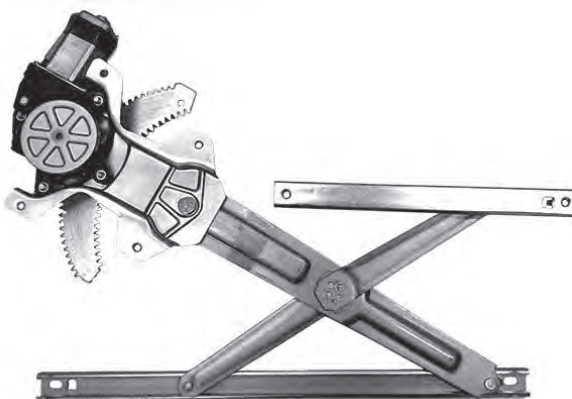
O.E.M.:
CHEVROLET 96225384

REF. 1830.0030152



MATIZ

02/98->04/05



Motor incluido | Motor included | Moteur inclus
Eléctrico | Electric | Electrique

AC ROLCAR	01.6837
DOGA	100197
ELECTRIC LIFE	ZR DW15 L
LEMFÖRDER	60.80197.0
LIFT-TEK	LT DW15 L
MAGNETI MARELLI	AC261
TRICLO	118197
VALEO	850090

O.E.M.:
CHEVROLET, DAEWOO
96318069, 96323234

REF. 1830.0030155



AC ROLCAR	01.6836
DOGA	100198
ELECTRIC LIFE	ZR DW15 R
LEMFÖRDER	60.80196.0
LIFT-TEK	LT DW15 R
MAGNETI MARELLI	AC262
TRICLO	118196
VALEO	850091

O.E.M.:
CHEVROLET, DAEWOO
96318070, 96323235

REF. 1830.0030156



MODELO

500
07/07->



Motor incluido | Motor included | Moteur inclus
Eléctrico | Electric | Electrique

CRUCES / O.E.M.

AC ROLCAR	01.1705
DOGA	100305
ELECTRIC LIFE	ZR FT94 L
LEMFÖRDER	60.80650.0
LIFT-TEK	LT FT94 L
MAGNETI MARELLI	AC743
TRICLO	114059
VALEO	851274

O.E.M.:
FIAT 51785841, 51824040,
51876269

REF. / PUERTA

REF. 1830.0030439



AC ROLCAR	01.1704
DOGA	100306
ELECTRIC LIFE	ZR FT94 R
LEMFÖRDER	60.80651.0
LIFT-TEK	LT FT94 R
MAGNETI MARELLI	AC744
TRICLO	114058
VALEO	851275

O.E.M.:
FIAT 51785413, 51824038,
51876267

REF. 1830.0030440



CROMA

05->



Para vehículos con motor OEM electrónico (con función confort de origen).
For vehicles with electronic OEM motor (confort function).
Pour véhicules avec moteur OEM électronique (fonction confort).
Sólo parte mecánica | Mechanism only | Seulement mécanisme
Eléctrico | Electric | Electrique

DOGA	100275
ELECTRIC LIFE	ZR FT703 L
LIFT-TEK	LT FT703 L
VALEO	850734

O.E.M.:
FIAT 71740199

REF. 1830.0030307



DOGA	100276
ELECTRIC LIFE	ZR FT703 R
LIFT-TEK	LT FT703 R
VALEO	850735

O.E.M.:
FIAT 71740198

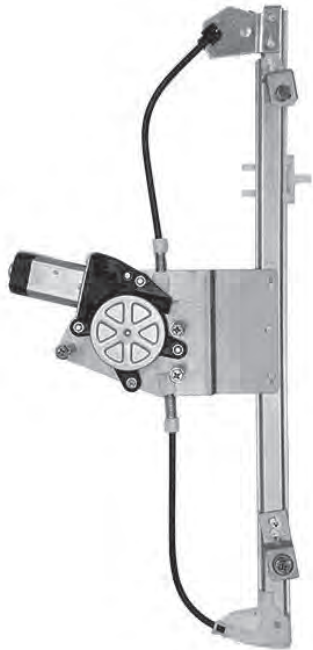
REF. 1830.0030308



MODELO

DOBLO, DOBLO CARGO

00->08



Motor incluido | Motor included | Moteur inclus
Eléctrico | Electric | Electrique

CRUCES / O.E.M.

AC ROLCAR	01.1351
DOGA	100287
ELECTRIC LIFE	ZR FT74 L
LEMFÖRDER	60.80201.0
LIFT-TEK	LT FT74 L
MAGNETI MARELLI	AC319
SPJ	520-02
TRICLO	113923
VALEO	850168

O.E.M.:
FIAT 46751439, 46810677,
51704763

REF. / PUERTA

REF. 1830.0030169



AC ROLCAR	01.1350
DOGA	100288
ELECTRIC LIFE	ZR FT74 R
LEMFÖRDER	60.80200.0
LIFT-TEK	LT FT74 R
MAGNETI MARELLI	AC320
SPJ	520-01
TRICLO	113922
VALEO	850169

O.E.M.:
FIAT 46751438, 46810676,
51704762

REF. 1830.0030170



DOBLO

01->



Motor incluido | Motor included | Moteur inclus
Eléctrico | Electric | Electrique

AC ROLCAR	01.1355
DOGA	101031
ELECTRIC LIFE	ZR FT97 L
LEMFÖRDER	60.80656.0
LIFT-TEK	LT FT97 L
MAGNETI MARELLI	AC867
TRICLO	114075
VALEO	850832

O.E.M.:
FIAT 51793189, 51830870

REF. 1830.0030331



AC ROLCAR	01.1354
DOGA	101032
ELECTRIC LIFE	ZR FT97 R
LEMFÖRDER	60.80657.0
LIFT-TEK	LT FT97 R
MAGNETI MARELLI	AC868
TRICLO	114074
VALEO	850833

O.E.M.:
FIAT 51793188, 51830869

REF. 1830.0030332



MODELO

DUCATO

94->



Motor incluido | Motor included | Moteur inclus
Eléctrico | Electric | Electrique

DUCATO

07/06->



Para vehículos con motor OEM electrónico (con función confort de origen).
For vehicles with electronic OEM motor (confort function).
Pour véhicules avec moteur OEM électronique (fonction confort).
Sólo parte mecánica | Mechanism only | Seulement mécanisme
Eléctrico | Electric | Electrique

CRUCES / O.E.M.

AC ROLCAR	01.2507
DOGA	100833
ELECTRIC LIFE	ZR ZA21 L B
LEMFÖRDER	64.70089.0
LIFT-TEK	LT ZA21 L B
MAGNETI MARELLI	AC086
TRICLO	113921
VALEO	850484

O.E.M.:
FIAT / PEUGEOT 1313852080,
1322758080, 1341396080

AC ROLCAR	01.2506
DOGA	100834
ELECTRIC LIFE	ZR ZA21 R B
LEMFÖRDER	64.70088.0
LIFT-TEK	LT ZA21 R B
MAGNETI MARELLI	AC087
TRICLO	113920
VALEO	850485

O.E.M.:
FIAT / PEUGEOT 1313851080,
1322757080, 1341395080

AC ROLCAR	01.2515
DOGA	100853
ELECTRIC LIFE	ZR ZA702 L
LEMFÖRDER	64.80497.0
LIFT-TEK	LT ZA702 L
MAGNETI MARELLI	AC1053
SPJ	566-22
TRICLO	111355
VALEO	850686

O.E.M.:
FIAT 1368922080, 1340453080
PSA 1607706980, 9221X7

AC ROLCAR	01.2514
DOGA	100854
ELECTRIC LIFE	ZR ZA702 R
LEMFÖRDER	64.80496.0
LIFT-TEK	LT ZA702 R
MAGNETI MARELLI	AC1054
SPJ	566-21
TRICLO	111354
VALEO	850687

O.E.M.:
FIAT 1340398080, 1368042080
PSA 1607707180, 9222X6

REF. / PUERTA

REF. 1830.0030451



REF. 1830.0030452











REF. 1830.0030033



REF. 1830.0030034



MODELO	CRUCES / O.E.M.	REF. / PUERTA																		
<p>GRANDE PUNTO 09/05-></p>  <p>Para vehículos con motor OEM electrónico (con función confort de origen). For vehicles with electronic OEM motor (confort function). Pour véhicules avec moteur OEM électronique (fonction confort). <u>Sólo parte mecánica Mechanism only Seulement mécanisme</u> Eléctrico Electric Electrique</p>	<table border="1"> <tr><td>AC ROLCAR</td><td>01.1821</td></tr> <tr><td>DOGA</td><td>101033</td></tr> <tr><td>ELECTRIC LIFE</td><td>ZR FT707 L</td></tr> <tr><td>LEMFÖRDER</td><td>60.80967.0</td></tr> <tr><td>LIFT-TEK</td><td>LT FT707 L</td></tr> <tr><td>MAGNETI MARELLI</td><td>AC1041</td></tr> <tr><td>SPJ</td><td>563-24</td></tr> <tr><td>TRICLO</td><td>114076</td></tr> <tr><td>VALEO</td><td>850744</td></tr> </table> <p>O.E.M.: FIAT 51723318</p>	AC ROLCAR	01.1821	DOGA	101033	ELECTRIC LIFE	ZR FT707 L	LEMFÖRDER	60.80967.0	LIFT-TEK	LT FT707 L	MAGNETI MARELLI	AC1041	SPJ	563-24	TRICLO	114076	VALEO	850744	<p>REF. 1830.0030047</p> 
AC ROLCAR	01.1821																			
DOGA	101033																			
ELECTRIC LIFE	ZR FT707 L																			
LEMFÖRDER	60.80967.0																			
LIFT-TEK	LT FT707 L																			
MAGNETI MARELLI	AC1041																			
SPJ	563-24																			
TRICLO	114076																			
VALEO	850744																			
<p>GRANDE PUNTO 09/05-></p> 	<table border="1"> <tr><td>AC ROLCAR</td><td>01.1820</td></tr> <tr><td>DOGA</td><td>101034</td></tr> <tr><td>ELECTRIC LIFE</td><td>ZR FT707 R</td></tr> <tr><td>LEMFÖRDER</td><td>60.80968.0</td></tr> <tr><td>LIFT-TEK</td><td>LT FT707 R</td></tr> <tr><td>MAGNETI MARELLI</td><td>AC1042</td></tr> <tr><td>SPJ</td><td>563-23</td></tr> <tr><td>VALEO</td><td>850745</td></tr> </table> <p>O.E.M.: FIAT 51723317</p>	AC ROLCAR	01.1820	DOGA	101034	ELECTRIC LIFE	ZR FT707 R	LEMFÖRDER	60.80968.0	LIFT-TEK	LT FT707 R	MAGNETI MARELLI	AC1042	SPJ	563-23	VALEO	850745	<p>REF. 1830.0030048</p> 		
AC ROLCAR	01.1820																			
DOGA	101034																			
ELECTRIC LIFE	ZR FT707 R																			
LEMFÖRDER	60.80968.0																			
LIFT-TEK	LT FT707 R																			
MAGNETI MARELLI	AC1042																			
SPJ	563-23																			
VALEO	850745																			
<p>GRANDE PUNTO 09/05-></p>  <p>Motor incluido Motor included Moteur inclus Eléctrico Electric Electrique</p>	<table border="1"> <tr><td>DOGA</td><td>100303</td></tr> <tr><td>ELECTRIC LIFE</td><td>ZR FT90 L</td></tr> <tr><td>LEMFÖRDER</td><td>60.80417.0</td></tr> <tr><td>LIFT-TEK</td><td>LT FT90 L</td></tr> <tr><td>MAGNETI MARELLI</td><td>AC647</td></tr> <tr><td>SPJ</td><td>563-04</td></tr> <tr><td>TRICLO</td><td>114079</td></tr> <tr><td>VALEO</td><td>850742</td></tr> </table> <p>O.E.M.: ABARTH / FIAT 51786729</p>	DOGA	100303	ELECTRIC LIFE	ZR FT90 L	LEMFÖRDER	60.80417.0	LIFT-TEK	LT FT90 L	MAGNETI MARELLI	AC647	SPJ	563-04	TRICLO	114079	VALEO	850742	<p>REF. 1830.0030173</p> 		
DOGA	100303																			
ELECTRIC LIFE	ZR FT90 L																			
LEMFÖRDER	60.80417.0																			
LIFT-TEK	LT FT90 L																			
MAGNETI MARELLI	AC647																			
SPJ	563-04																			
TRICLO	114079																			
VALEO	850742																			
<p>GRANDE PUNTO 09/05-></p>  <p>Motor incluido Motor included Moteur inclus Eléctrico Electric Electrique</p>	<table border="1"> <tr><td>DOGA</td><td>100304</td></tr> <tr><td>ELECTRIC LIFE</td><td>ZR FT90 R</td></tr> <tr><td>LEMFÖRDER</td><td>60.80416.0</td></tr> <tr><td>LIFT-TEK</td><td>LT FT90 R</td></tr> <tr><td>MAGNETI MARELLI</td><td>AC648</td></tr> <tr><td>SPJ</td><td>563-03</td></tr> <tr><td>TRICLO</td><td>114078</td></tr> <tr><td>VALEO</td><td>850743</td></tr> </table> <p>O.E.M.: ABARTH / FIAT 51786728</p>	DOGA	100304	ELECTRIC LIFE	ZR FT90 R	LEMFÖRDER	60.80416.0	LIFT-TEK	LT FT90 R	MAGNETI MARELLI	AC648	SPJ	563-03	TRICLO	114078	VALEO	850743	<p>REF. 1830.0030174</p> 		
DOGA	100304																			
ELECTRIC LIFE	ZR FT90 R																			
LEMFÖRDER	60.80416.0																			
LIFT-TEK	LT FT90 R																			
MAGNETI MARELLI	AC648																			
SPJ	563-03																			
TRICLO	114078																			
VALEO	850743																			

MODELO

CRUCES / O.E.M.

REF. / PUERTA

GRANDE PUNTO

05->



AC ROLCAR	03.1815
DOGA	110049
ELECTRIC LIFE	ZR FT909 L
LEMFÖRDER	60.80421.0
LIFT-TEK	LT FT909 L
MAGNETI MARELLI	AC1397

O.E.M.:
FIAT 51723324

REF. 1830.30427MA



AC ROLCAR	03.1814
DOGA	110050
ELECTRIC LIFE	ZR FT909 R
LEMFÖRDER	60.80420.0
LIFT-TEK	LT FT909 R
MAGNETI MARELLI	AC1396

O.E.M.:
FIAT 51723323

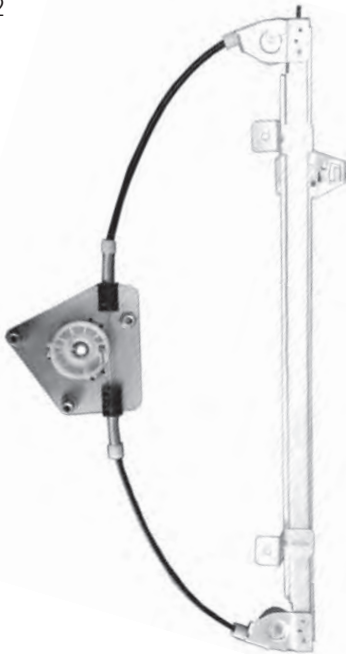
REF. 1830.30428MA



Sólo parte mecánica | Mechanism only | Seulement mécanisme
Manual | Manually | Manuel

IDEA

04->12



AC ROLCAR	01.1203
DOGA	101237
ELECTRIC LIFE	ZR FT701 L
LEMFÖRDER	60.81241.0
LIFT-TEK	LT FT701 L
MAGNETI MARELLI	AC619
VALEO	850636

O.E.M.:
FIAT, LANCIA 71734870

REF. 1830.0030309



AC ROLCAR	01.1202
DOGA	101238
ELECTRIC LIFE	ZR FT701 R
LEMFÖRDER	60.81240.0
LIFT-TEK	LT FT701 R
MAGNETI MARELLI	AC620
VALEO	850637

O.E.M.:
FIAT, LANCIA 71734869

REF. 1830.0030310



Sólo parte mecánica | Mechanism only | Seulement mécanisme
Eléctrico | Electric | Electrique

MODELO

CRUCES / O.E.M.

REF. / PUERTA

MULTIPLA

98->



AC ROLCAR	01.1781
DOGA	100289
ELECTRIC LIFE	ZR FT76 L
LEMFÖRDER	60.70233.0
LIFT-TEK	LT FT76 L
MAGNETI MARELLI	AC323
TRICLO	113927
VALEO	850170

O.E.M.:
FIAT 46510670

REF. 1830.0030471



AC ROLCAR	01.1780
DOGA	100290
ELECTRIC LIFE	ZR FT76 R
LEMFÖRDER	60.70232.0
LIFT-TEK	LT FT76 R
MAGNETI MARELLI	AC324
TRICLO	113926
VALEO	850171

O.E.M.:
FIAT 46510629

REF. 1830.0030472



Motor incluido | Motor included | Moteur inclus
Eléctrico | Electric | Electrique

PANDA

09/03->1/12



AC ROLCAR	01.2101
DOGA	100301
ELECTRIC LIFE	ZR FT85 L
LEMFÖRDER	60.80413.0
LIFT-TEK	LT FT85 L
MAGNETI MARELLI	AC433
SPJ	531-04
TRICLO	113975
VALEO	850180

O.E.M.:
FIAT 46803652

REF. 1830.0030171



AC ROLCAR	01.2100
DOGA	100302
ELECTRIC LIFE	ZR FT85 R
LEMFÖRDER	60.80412.0
LIFT-TEK	LT FT85 R
MAGNETI MARELLI	AC434
SPJ	531-03
TRICLO	113974
VALEO	850181

O.E.M.:
FIAT 46803651

REF. 1830.0030172



Motor incluido | Motor included | Moteur inclus
Eléctrico | Electric | Electrique

MODELO

PUNTO, PUNTO VAN

09/99->03/12



Motor incluido | Motor included | Moteur inclus
Eléctrico | Electric | Electrique

CRUCES / O.E.M.

DOGA	100285
ELECTRIC LIFE	ZR FT72 L
LEMFÖRDER	60.70241.0
LIFT-TEK	LT FT72 L
SPJ	534-04
TRICLO	113931
VALEO	850166

O.E.M.:
FIAT 0046536312

REF. / PUERTA

REF. 1830.0030289



DOGA	100286
ELECTRIC LIFE	ZR FT72 R
LEMFÖRDER	60.70240.0
LIFT-TEK	LT FT72 R
SPJ	534-03
TRICLO	113930
VALEO	850167

O.E.M.:
FIAT 0046536311

REF. 1830.0030290



SCUDO

95->



Motor incluido | Motor included | Moteur inclus
Eléctrico | Electric | Electrique

AC ROLCAR	A1.1751
DOGA	100837
ELECTRIC LIFE	ZR ZA24 L
LEMFÖRDER	64.40001.0
LIFT-TEK	LT ZA24 L
MAGNETI MARELLI	AC071
TRICLO	111153
VALEO	850488

O.E.M.:
CITROËN / FIAT 9221H5,
922191HS

REF. 1830.0030411



AC ROLCAR	A1.1750
DOGA	100838
ELECTRIC LIFE	ZR ZA24 R
LEMFÖRDER	64.40000.0
LIFT-TEK	LT ZA24 R
MAGNETI MARELLI	AC072
TRICLO	111152
VALEO	850489

O.E.M.:
CITROËN / FIAT 922290FS,
9222F5, 9222H3

REF. 1830.0030412



MODELO

SCUDO

01/07->



Para vehículos con motor OEM electrónico (con función confort de origen).
For vehicles with electronic OEM motor (comfort function).
Pour véhicules avec moteur OEM électronique (fonction confort).
Sólo parte mecánica | Mechanism only | Seulement mécanisme
Eléctrico | Electric | Électrique

CRUCES / O.E.M.

AC ROLCAR	01.1755
DOGA	100855
ELECTRIC LIFE	ZR ZA703 L
LEMFÖRDER	64.80803.0
LIFT-TEK	LT ZA703 L
MAGNETI MARELLI	AC731
TRICLO	114057
VALEO	850724

O.E.M.:
FIAT, PEUGEOT 9221Z6

REF. / PUERTA

REF. 1830.0030285



AC ROLCAR	01.1754
DOGA	100856
ELECTRIC LIFE	ZR ZA703 R
LEMFÖRDER	64.80804.0
LIFT-TEK	LT ZA703 R
MAGNETI MARELLI	AC732
TRICLO	114056
VALEO	850725

O.E.M.:
FIAT, PEUGEOT 9222Z5

REF. 1830.0030286



STILO

01->



Sólo parte mecánica | Mechanism only | Seulement mécanisme
Eléctrico | Electric | Électrique

AC ROLCAR	01.2001
DOGA	100293
ELECTRIC LIFE	ZR FT81 L
LEMFÖRDER	60.80161.0
LIFT-TEK	LT FT81 L
MAGNETI MARELLI	AC437
TRICLO	113935
VALEO	850174

O.E.M.:
FIAT 46831653

REF. 1830.0030399



AC ROLCAR	01.2000
DOGA	100294
ELECTRIC LIFE	ZR FT81 R
LEMFÖRDER	60.80160.0
LIFT-TEK	LT FT81 R
MAGNETI MARELLI	AC438
TRICLO	113934
VALEO	850175

O.E.M.:
FIAT 46831652

REF. 1830.0030400



MODELO

STILO

01->



Sólo parte mecánica | Mechanism only | Seulement mécanisme
Eléctrico | Electric | Electrique

CRUCES / O.E.M.

AC ROLCAR	01.2003
DOGA	100295
ELECTRIC LIFE	ZR FT82 L
LEMFÖRDER	60.80163.0
LIFT-TEK	LT FT82 L
MAGNETI MARELLI	AC439
TRICLO	113937
VALEO	850176

O.E.M.:
FIAT 46831655

AC ROLCAR	01.2002
DOGA	100296
ELECTRIC LIFE	ZR FT82 R
LEMFÖRDER	60.80162.0
LIFT-TEK	LT FT82 R
MAGNETI MARELLI	AC440
TRICLO	113936
VALEO	850177

O.E.M.:
FIAT 46831654

REF. / PUERTA

REF. 1830.0030437



REF. 1830.0030438



MODELO

FIESTA V

07/02->08/08



CRUCES / O.E.M.

AC ROLCAR	01.3021
DOGA	101151
ELECTRIC LIFE	ZR FR719 L
LEMFÖRDER	60.81257.0
LIFT-TEK	LT FR719 L
TRICLO	118351
VALEO	851444

O.E.M.:
FORD 1233193

REF. / PUERTA

REF. 1830.0030455



AC ROLCAR	01.3020
DOGA	101152
ELECTRIC LIFE	ZR FR719 R
LEMFÖRDER	60.81256.0
LIFT-TEK	LT FR719 R
TRICLO	118350
VALEO	851445

O.E.M.:
FORD 1233191

REF. 1830.0030456



Sólo parte mecánica | Mechanism only | Seulement mécanisme
Eléctrico | Electric | Electrique

FIESTA V

02->08



AC ROLCAR	01.4031
DOGA	100231
ELECTRIC LIFE	ZR FR71 L
LEMFÖRDER	60.80211.0
LIFT-TEK	LT FR71 L
MAGNETI MARELLI	AC491
SPJ	405-02
VALEO	850110

O.E.M.:
FORD 1233193, 2S51 B23201 BJ

REF. 1830.0030313



AC ROLCAR	01.4030
DOGA	100232
ELECTRIC LIFE	ZR FR71 R
LEMFÖRDER	60.80210.0
LIFT-TEK	LT FR71 R
MAGNETI MARELLI	AC492
SPJ	405-01
VALEO	850111

O.E.M.:
FORD 1233191

REF. 1830.0030314



Motor incluido | Motor included | Moteur inclus
Eléctrico | Electric | Electrique

MODELO

FIESTA V

07/02->08/08



Sólo parte mecánica | Mechanism only | Seulement mécanisme
Eléctrico | Electric | Electrique

CRUCES / O.E.M.

AC ROLCAR	01.3003
DOGA	101153
ELECTRIC LIFE	ZR FR720 L
LEMFÖRDER	60.81259.0
LIFT-TEK	LT FR720 L
TRICLO	118353
VALEO	851446

O.E.M.:
FORD 1225778

REF. / PUERTA

REF. 1830.0030457



AC ROLCAR	01.3002
DOGA	101154
ELECTRIC LIFE	ZR FR720 R
LEMFÖRDER	60.81258.0
LIFT-TEK	LT FR720 R
TRICLO	118352
VALEO	851447

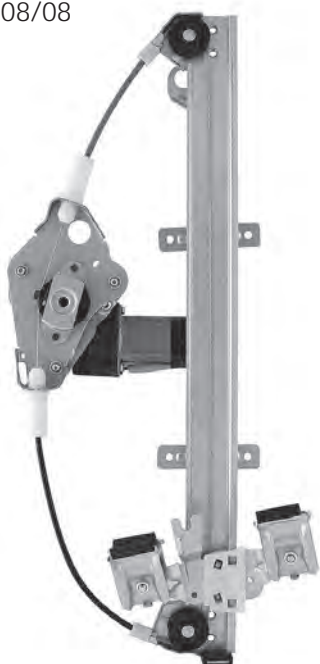
O.E.M.:
FORD 1225776

REF. 1830.0030458



FIESTA V

07/02->08/08



Motor incluido | Motor included | Moteur inclus
Eléctrico | Electric | Electrique

AC ROLCAR	01.4033
DOGA	100233
ELECTRIC LIFE	ZR FR72 L
LEMFÖRDER	60.80098.0
LIFT-TEK	LT FR72 L
MAGNETI MARELLI	AC493
SPJ	405-04
TRICLO	118261
VALEO	850112

O.E.M.:
FORD 1225778, 2S61A23201BS

REF. 1830.0030167



AC ROLCAR	01.4032
DOGA	100234
ELECTRIC LIFE	ZR FR72 R
LEMFÖRDER	60.80099.0
LIFT-TEK	LT FR72 R
MAGNETI MARELLI	AC494
SPJ	405-03
TRICLO	118260
VALEO	850113

O.E.M.:
FORD 1225776

REF. 1830.0030168



MODELO

CRUCES / O.E.M.

REF. / PUERTA

FIESTA VI

08->



DOGA	101165
ELECTRIC LIFE	ZR FR704 L
LEMFÖRDER	60.80897.0
LIFT-TEK	LT FR704 L
MAGNETI MARELLI	AC829
TRICLO	118527
VALEO	850884

O.E.M.:
FORD 1573811

REF. 1830.0030333



DOGA	101166
ELECTRIC LIFE	ZR FR704 R
LEMFÖRDER	60.80898.0
LIFT-TEK	LT FR704 R
MAGNETI MARELLI	AC830
TRICLO	118526
VALEO	850885

O.E.M.:
FORD 1568365

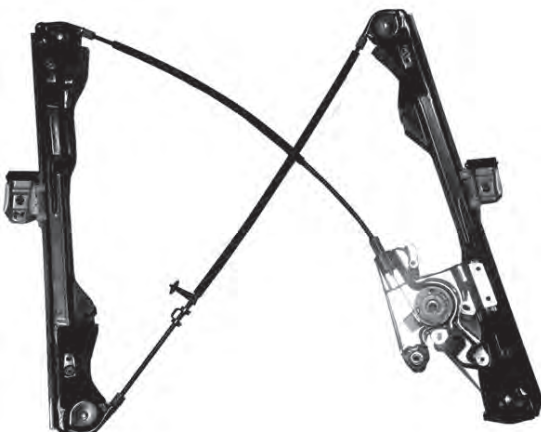
REF. 1830.0030334



Para vehículos con motor OEM electrónico (con función confort de origen).
For vehicles with electronic OEM motor (confort function).
Pour véhicules avec moteur OEM électronique (fonction confort).
Sólo parte mecánica | Mechanism only | Seulement mécanisme
Eléctrico | Electric | Electrique

FOCUS

10/98 ->10/04



AC ROLCAR	01.2901
DOGA	100225
ELECTRIC LIFE	ZR FR701 L
LEMFÖRDER	60.80277.0
LIFT-TEK	LT FR701 L
MAGNETI MARELLI	AC809
SPJ	406-28
TRICLO	113907
VALEO	850570

O.E.M.:
FORD 1138210, 1331619

REF. 1830.0030161



AC ROLCAR	01.2900
DOGA	100226
ELECTRIC LIFE	ZR FR701 R
LEMFÖRDER	60.80276.0
LIFT-TEK	LT FR701 R
MAGNETI MARELLI	AC810
SPJ	406-27
TRICLO	113906
VALEO	850571

O.E.M.:
FORD 1138208, 1331618

REF. 1830.0030162

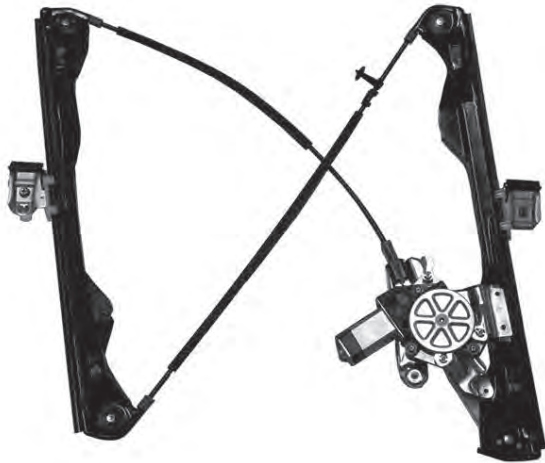


Para vehículos con motor OEM electrónico (con función confort de origen).
For vehicles with electronic OEM motor (confort function).
Pour véhicules avec moteur OEM électronique (fonction confort).
Sólo parte mecánica | Mechanism only | Seulement mécanisme
Eléctrico | Electric | Electrique

MODELO

FOCUS

10/98->10/04



Para motor OEM con dos conectores.
For OEM motor with two pins.
Pour moteur OEM avec deux prises.

Motor incluido | Motor included | Moteur inclus
Eléctrico | Electric | Electrique

CRUCES / O.E.M.

AC ROLCAR	01.4095
DOGA	100027
ELECTRIC LIFE	ZR FR61 L
LEMFÖRDER	60.80203.0
LIFT-TEK	LT FR61 L
MAGNETI MARELLI	AC329
SPJ	406-02
TRICLO	118401
VALEO	850504

O.E.M.:
FORD 1331619

REF. / PUERTA

REF. 1830.0030187



AC ROLCAR	01.4094
DOGA	100028
ELECTRIC LIFE	ZR FR61 R
LEMFÖRDER	60.80202.0
LIFT-TEK	LT FR61 R
MAGNETI MARELLI	AC330
SPJ	406-01
TRICLO	118400
VALEO	850505

O.E.M.:
FORD 1149818

REF. 1830.0030188



FOCUS

10/98->10/04



Sólo parte mecánica | Mechanism only | Seulement mécanisme
Eléctrico | Electric | Electrique

AC ROLCAR	01.2909
DOGA	101730
SPJ	406-04
TRICLO	118513

O.E.M.:
FORD 1138216, 1331614

REF. 1830.0030091



AC ROLCAR	01.2908
DOGA	101731
TRICLO	118512

O.E.M.:
FORD 1331612

REF. 1830.0030092



MODELO

CRUCES / O.E.M.

REF. / PUERTA

FOCUS

10/98->10/04



AC ROLCAR	01.2909
DOGA	100227
ELECTRIC LIFE	ZR FR702 L
LEMFÖRDER	60.80279.0
LIFT-TEK	LT FR702 L
MAGNETI MARELLI	AC811
SPJ	406-30
TRICLO	118513
VALEO	850568

O.E.M.:
FORD 1138216, 1142897

REF. 1830.0030163



AC ROLCAR	01.2902
DOGA	100228
ELECTRIC LIFE	ZR FR702 R
LEMFÖRDER	60.80278.0
LIFT-TEK	LT FR702 R
MAGNETI MARELLI	AC812
SPJ	406-29
TRICLO	118512
VALEO	850569

O.E.M.:
FORD 1138214, 1142894

REF. 1830.0030164



Para vehículos con motor OEM electrónico (con función confort de origen).
For vehicles with electronic OEM motor (comfort function).
Pour véhicules avec moteur OEM électronique (fonction confort).
Sólo parte mecánica | Mechanism only | Seulement mécanisme
Eléctrico | Electric | Electrique

FOCUS, FAMILIAR

10/98->10/04



AC ROLCAR	01.4093
DOGA	100013
ELECTRIC LIFE	ZR FR62 L
LEMFÖRDER	60.80205.0
LIFT-TEK	LT FR62 L
MAGNETI MARELLI	AC331
SPJ	406-04
TRICLO	118271, 118403
VALEO	850506

O.E.M.:
FORD 1138216, 1331614

REF. 1830.0030097



AC ROLCAR	01.4092
DOGA	100014
ELECTRIC LIFE	ZR FR62 R
LEMFÖRDER	60.80204.0
LIFT-TEK	LT FR62 R
MAGNETI MARELLI	AC332
SPJ	406-03
TRICLO	118270, 118402
VALEO	850507

O.E.M.:
FORD 1138214, 1331612

REF. 1830.0030098



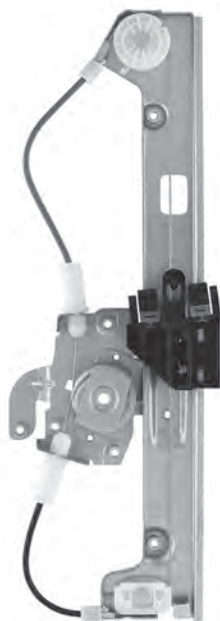
Para motor OEM con dos conectores.
For OEM motor with two pins.
Pour moteur OEM avec deux prises.

Motor incluido | Motor included | Moteur inclus
Eléctrico | Electric | Electrique

MODELO

FOCUS

10/98->10/04



Para vehículos con motor OEM electrónico (con función confort de origen).
 For vehicles with electronic OEM motor (confort function).
 Pour véhicules avec moteur OEM électronique (fonction confort).
Sólo parte mecánica | Mechanism only | Seulement mécanisme
 Eléctrico | Electric | Electrique

CRUCES / O.E.M.

DOGA	100229
ELECTRIC LIFE	ZR FR703 L
LEMFÖRDER	60.80281.0
LIFT-TEK	LT FR703 L
MAGNETI MARELLI	AC813
SPJ	406-06
TRICLO	118453
VALEO	850572

O.E.M.:
FORD 1331606

REF. / PUERTA

REF. 1830.0030165



DOGA	100230
ELECTRIC LIFE	ZR FR703 R
LEMFÖRDER	60.80280.0
LIFT-TEK	LT FR703 R
MAGNETI MARELLI	AC814
SPJ	406-05
TRICLO	118454
VALEO	850573

O.E.M.:
FORD 1331605

REF. 1830.0030166



FUSION

07/02->



Motor incluido | Motor included | Moteur inclus
 Eléctrico | Electric | Electrique

AC ROLCAR	01.4037
DOGA	100237
ELECTRIC LIFE	ZR FR75 L
LEMFÖRDER	60.80217.0
LIFT-TEK	LT FR75 L
MAGNETI MARELLI	AC497
TRICLO	118391
VALEO	850114

O.E.M.:
FORD 1225874

REF. 1830.0030435



AC ROLCAR	01.4036
DOGA	100238
ELECTRIC LIFE	ZR FR75 R
LEMFÖRDER	60.80216.0
LIFT-TEK	LT FR75 R
MAGNETI MARELLI	AC498
TRICLO	118390
VALEO	850115

O.E.M.:
FORD 1225872

REF. 1830.0030436



MODELO

CRUCES / O.E.M.

REF. / PUERTA

GALAXY

96->05



AC ROLCAR	01.3045
DOGA	101337
ELECTRIC LIFE	ZR VK725 L
LIFT-TEK	LT VK725 L
TRICLO	113907
VALEO	851106

O.E.M.:
FORD 1021996, 1107592,
7M0837461

REF. 1830.0030059



AC ROLCAR	01.3044
DOGA	101338
ELECTRIC LIFE	ZR VK725 R
LIFT-TEK	LT VK725 R
TRICLO	113906
VALEO	851107

O.E.M.:
FORD 1021998, 1107591,
7M0837462

REF. 1830.0030060



Para vehículos con motor OEM electrónico (con función confort de origen).
For vehicles with electronic OEM motor (confort function).
Pour véhicules avec moteur OEM électronique (fonction confort).
Sólo parte mecánica | Mechanism only | Seulement mécanisme
Eléctrico | Electric | Electrique

KA

97->



AC ROLCAR	01.4089
DOGA	100221
ELECTRIC LIFE	ZR FR60 L
LEMFÖRDER	60.49011.0
LIFT-TEK	LT FR60 L
MAGNETI MARELLI	AC241
TRICLO	118315
VALEO	850108

O.E.M.:
FORD 1054851, 1097578

REF. 1830.0030433



AC ROLCAR	01.4088
DOGA	100222
ELECTRIC LIFE	ZR FR60 R
LEMFÖRDER	60.49010.0
LIFT-TEK	LT FR60 R
MAGNETI MARELLI	AC242
TRICLO	118314
VALEO	850109

O.E.M.:
FORD 1054850, 1097577

REF. 1830.0030434



Motor incluido | Motor included | Moteur inclus
Eléctrico | Electric | Electrique

MODELO

MAVERICK

88->



Motor incluido | Motor included | Moteur inclus
Eléctrico | Electric | Electrique

CRUCES / O.E.M.

AC ROLCAR	01.6907
DOGA	100201
ELECTRIC LIFE	ZR DN67 L B
LEMFÖRDER	63.42009.0
LIFT-TEK	LT DN67 L B
MAGNETI MARELLI	AC725
SPJ	692-04
TRICLO	111091
VALEO	850072

O.E.M.:
FORD 807010F010,
807010F015

REF. / PUERTA

REF. 1830.0030157



AC ROLCAR	01.6906
DOGA	100202
ELECTRIC LIFE	ZR DN67 R B
LEMFÖRDER	63.42008.0
LIFT-TEK	LT DN67 R B
MAGNETI MARELLI	AC726
SPJ	692-03
TRICLO	111092
VALEO	850073

O.E.M.:
FORD 807000F010,
807000F015

REF. 1830.0030158



MAVERICK

02/02->



Motor incluido | Motor included | Moteur inclus
Eléctrico | Electric | Electrique

AC ROLCAR	01.6909
DOGA	100191
ELECTRIC LIFE	ZR DN91 L
LEMFÖRDER	63.42011.0
LIFT-TEK	LT DN91 L
SPJ	692-06
TRICLO	111379

O.E.M.:
NISSAN 827018F300,
827012X400, 827010F610

REF. 1830.0030147



AC ROLCAR	01.6908
DOGA	100192
ELECTRIC LIFE	ZR DN91 R
LEMFÖRDER	63.42010.0
LIFT-TEK	LT DN91 R
SPJ	692-05
TRICLO	111378

O.E.M.:
NISSAN 827008F300,
827002X400, 827000F610

REF. 1830.0030148



MODELO

MONDEO

93->00



Motor incluido | Motor included | Moteur inclus
Eléctrico | Electric | Electrique

CRUCES / O.E.M.

AC ROLCAR	01.4069
DOGA	100213
ELECTRIC LIFE	ZR FR45 L B
LEMFÖRDER	60.49007.0
LIFT-TEK	LT FR45 L B
MAGNETI MARELLI	AC239
TRICLO	111017
VALEO	850100

O.E.M.:
FORD 1012437, 1034939

REF. / PUERTA

REF. 1830.0030431



AC ROLCAR	01.4068
DOGA	100214
ELECTRIC LIFE	ZR FR45 R B
LEMFÖRDER	60.49006.0
LIFT-TEK	LT FR45 R B
MAGNETI MARELLI	AC240
TRICLO	111016
VALEO	850101

O.E.M.:
FORD 1012436, 1034940

REF. 1830.0030432



MONDEO

11/00->04/07



Para vehículos con motor OEM electrónico (con función confort de origen).
For vehicles with electronic OEM motor (confort function).
Pour véhicules avec moteur OEM électronique (fonction confort).
Sólo parte mecánica | Mechanism only | Seulement mécanisme
Eléctrico | Electric | Electrique

AC ROLCAR	01.3037
DOGA	101141
ELECTRIC LIFE	ZR FR709 L
LIFT-TEK	LT FR709 L
SPJ	411-24
TRICLO	111515

O.E.M.:
FORD 1115801, 1ST1F23201BS

REF. 1830.0030029



AC ROLCAR	01.3036
DOGA	101142
ELECTRIC LIFE	ZR FR709 R
LIFT-TEK	LT FR709 R
SPJ	411-23
TRICLO	111514

O.E.M.:
FORD 1417697, 1ST1F23200BS

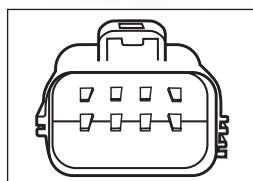
REF. 1830.0030030



MODELO

MONDEO

12/00->



CONFORT

Motor incluido | Motor included | Moteur inclus
Eléctrico | Electric | Electrique

MONDEO

11/00->04/07



Sólo parte mecánica | Mechanism only | Seulement mécanisme
Eléctrico | Electric | Electrique

CRUCES / O.E.M.

AC ROLCAR	01.4041
DOGA	100167
LEMFÖRDER	60.80221.0
MAGNETI MARELLI	AC443
TRICLO	118397

O.E.M.:
FORD 1S71F23201BS

AC ROLCAR	01.4040
DOGA	100168
LEMFÖRDER	60.80220.0
TRICLO	118396

O.E.M.:
FORD 1S71F23200BS

AC ROLCAR	01.3039
DOGA	101667
ELECTRIC LIFE	ZR FR710 L
LEMFÖRDER	60.81945.0
LIFT-TEK	LT FR710 R
TRICLO	118553

O.E.M.:
FORD 1S71F27001BM

AC ROLCAR	01.3038
DOGA	101668
ELECTRIC LIFE	ZR FR710 R
LEMFÖRDER	60.81944.0
LIFT-TEK	LT FR710 R
TRICLO	118552

O.E.M.:
FORD 1S71F27000BM

REF. / PUERTA

REF. 1830.0030429



REF. 1830.0030430



REF. 1830.0030501



REF. 1830.0030502



MODELO

MONDEO

05/07->



Para vehículos con motor OEM electrónico (con función confort de origen).
For vehicles with electronic OEM motor (confort function).
Pour véhicules avec moteur OEM électronique (fonction confort).
Sólo parte mecánica | Mechanism only | Seulement mécanisme
Eléctrico | Electric | Electrique

CRUCES / O.E.M.

AC ROLCAR	01.3043
DOGA	101383
ELECTRIC LIFE	ZR FR708 L
LEMFÖRDER	60.80645.0
LIFT-TEK	LT FR708 L
MAGNETI MARELLI	AC941
TRICLO	118603
VALEO	850996

O.E.M.:
FORD 7S71A27001BJ

REF. / PUERTA

REF. 1830.0030067



AC ROLCAR	01.3042
DOGA	101384
ELECTRIC LIFE	ZR FR708 R
LEMFÖRDER	60.80644.0
LIFT-TEK	LT FR708 R
MAGNETI MARELLI	AC942
VALEO	850997

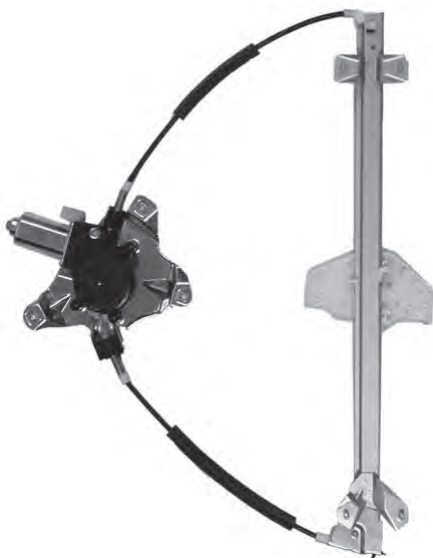
O.E.M.:
FORD 7S71A27000BJ

REF. 1830.0030068



TOURNEO/TRANSIT/CONNECT Lx, Glx, Standard, T200, T280, T320, T330

09/02->05/06



Para motor OEM con dos conectores.
For OEM motor with two pins.
Pour moteur OEM avec deux prises.

Motor incluido | Motor included | Moteur inclus
Eléctrico | Electric | Electrique

AC ROLCAR	01.4045
DOGA	101457
ELECTRIC LIFE	ZR ZA40 L
LEMFÖRDER	60.80975.0
LIFT-TEK	LT ZA40 L
MAGNETI MARELLI	AC1071
TRICLO	118399

O.E.M.:
FORD 4523921

REF. 1830.0030073



AC ROLCAR	01.4044
DOGA	101458
ELECTRIC LIFE	ZR ZA40 R
LEMFÖRDER	60.80976.0
LIFT-TEK	LT ZA40 R
MAGNETI MARELLI	AC1072
TRICLO	118398

O.E.M.:
FORD 4523918

REF. 1830.0030074

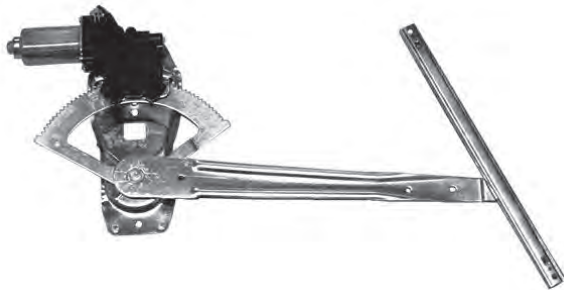


MODELO

TRANSIT
01/00->

CRUCES / O.E.M.

REF. / PUERTA



AC ROLCAR	01.4091
DOGA	100845
ELECTRIC LIFE	ZR ZA31 L
LEMFÖRDER	64.80019.0
LIFT-TEK	LT ZA31 L
MAGNETI MARELLI	AC337
SPJ	414-02
TRICLO	118267
VALEO	850496

REF. 1830.0030241



O.E.M.:
FORD 4077926, 4458247

AC ROLCAR	01.4090
DOGA	100846
ELECTRIC LIFE	ZR ZA31 R
LEMFÖRDER	64.80018.0
LIFT-TEK	LT ZA31 R
MAGNETI MARELLI	AC338
SPJ	414-01
TRICLO	118266
VALEO	850497

REF. 1830.0030242

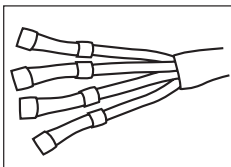
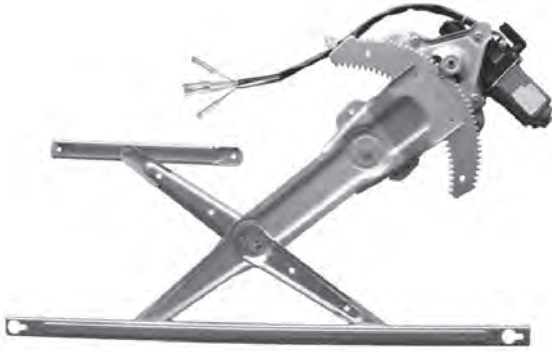


Motor incluido | Motor included | Moteur inclus
Eléctrico | Electric | Electrique

O.E.M.:
FORD 4077924, 4458244

MODELO

CIVIC
09/95->



CONFORT

Para motor OEM con cuatro cables.
For OEM motor with four cables.
Pour moteur OEM avec quatre fils.

Motor incluido | Motor included | Moteur inclus
Eléctrico | Electric | Electrique

CRUCES / O.E.M.

AC ROLCAR	01.3939
DOGA	100645
ELECTRIC LIFE	ZR RVO15 L C
LEMFÖRDER	60.80397.0
LIFT-TEK	LT RVO15 L C
MAGNETI MARELLI	AC447
TRICLO	111027
VALEO	850542

O.E.M.:
ROVER CUH102070SLP,
CUH102070

DOGA	100646
ELECTRIC LIFE	ZR RVO15 R C
LEMFÖRDER	60.80396.0
LIFT-TEK	LT RVO15 R C
VALEO	850543

O.E.M.:
ROVER CUH102040

REF. / PUERTA

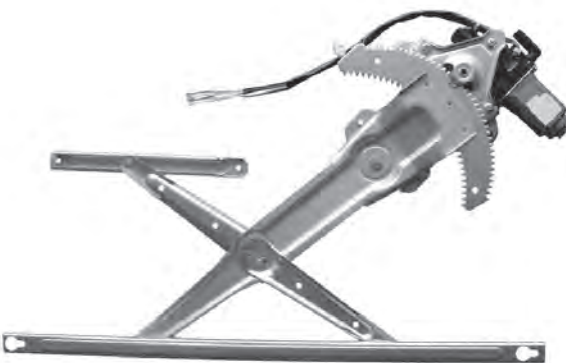
REF. 1830.0030441



REF. 1830.0030442



CIVIC
95->



DOGA	100651
ELECTRIC LIFE	ZR RV15 L
LEMFÖRDER	60.20009.0
LIFT-TEK	LT RV15 L
TRICLO	111027
VALEO	850376

O.E.M.:
HONDA/ROVER CUH102050

DOGA	100652
ELECTRIC LIFE	ZR RV15 R
LEMFÖRDER	60.20008.0
LIFT-TEK	LT RV15 R
MAGNETI MARELLI	AC200
TRICLO	111026
VALEO	850377

O.E.M.:
HONDA/ROVER CUH102460,
CUH102060

REF. 1830.0030485



REF. 1830.0030486



Para motor OEM con dos conectores.
For OEM motor with two pins.
Pour moteur OEM avec deux prises.

Motor incluido | Motor included | Moteur inclus
Eléctrico | Electric | Electrique

MODELO

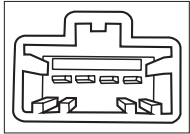
CIVIC CRV
97->01



Puerta izquierda /
Left door /
Porte gauche

Puerta derecha /
Right door /
Porte droite

Motor OEM
2 conectores
OEM motor with
2 pins
Moteur OEM avec
2 connecteurs



CONFORT

Motor incluido | Motor included | Moteur inclus
Eléctrico | Electric | Electrique

CRUCES / O.E.M.

AC ROLCAR	01.7803
DOGA	101319
ELECTRIC LIFE	ZR HDO67 L C
LIFT-TEK	LT HDO67 L C

O.E.M.:
HONDA 72250S10A020,
72251S10J01

AC ROLCAR	01.7036
DOGA	101320
ELECTRIC LIFE	ZR HD67 R
LIFT-TEK	LT HD67 R

O.E.M.:
HONDA 72210S10A020,
72211S10J01

REF. / PUERTA

REF. 1830.0030459



REF. 1830.0030460



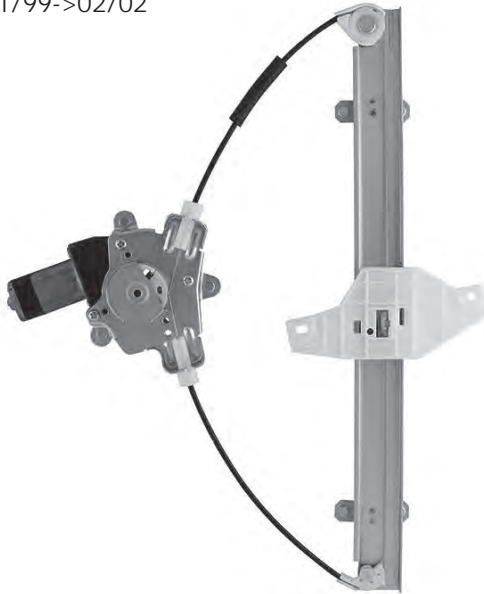
MODELO

CRUCES / O.E.M.

REF. / PUERTA

ACCENT

11/99->02/02



AC ROLCAR	01.7141
DOGA	100333
ELECTRIC LIFE	ZR HY25 L
LEMFÖRDER	60.80227.0
LIFT-TEK	LT HY25 L
MAGNETI MARELLI	AC1145
TRICLO	111169
VALEO	850200

O.E.M.:
HYUNDAI 8240325010

REF. 1830.0030179



AC ROLCAR	01.7140
DOGA	100334
ELECTRIC LIFE	ZR HY25 R
LEMFÖRDER	60.80226.0
LIFT-TEK	LT HY25 R
MAGNETI MARELLI	AC1146
TRICLO	111168
VALEO	850201

O.E.M.:
HYUNDAI 8240425010

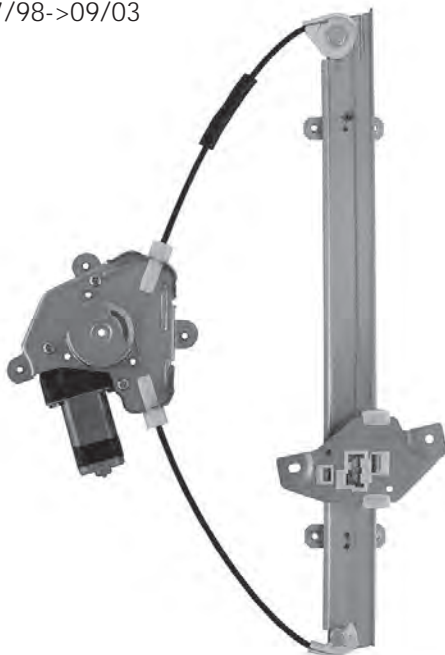
REF. 1830.0030180



Motor incluido | Motor included | Moteur inclus
Eléctrico | Electric | Electrique

ATOS

07/98->09/03



AC ROLCAR	01.7113
DOGA	100329
ELECTRIC LIFE	ZR HY19 L
LEMFÖRDER	60.80229.0
LIFT-TEK	LT HY19 L
MAGNETI MARELLI	AC217
TRICLO	111171
VALEO	850196

O.E.M.:
HYUNDAI 8240302010

REF. 1830.0030177



AC ROLCAR	01.7112
DOGA	100330
ELECTRIC LIFE	ZR HY19 R
LEMFÖRDER	60.80228.0
LIFT-TEK	LT HY19 R
MAGNETI MARELLI	AC218
TRICLO	111170
VALEO	850197

O.E.M.:
HYUNDAI 8240402010

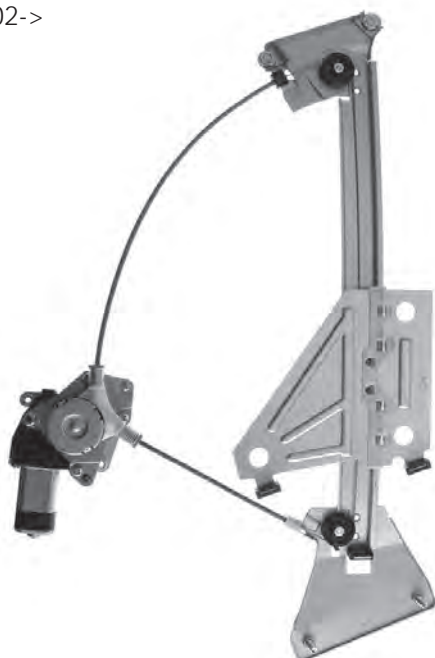
REF. 1830.0030178



Motor incluido | Motor included | Moteur inclus
Eléctrico | Electric | Electrique

MODELO

COUPE
03/02->



Motor incluido | Motor included | Moteur inclus
Eléctrico | Electric | Electrique

CRUCES / O.E.M.

AC ROLCAR	01.7433
DOGA	101039
ELECTRIC LIFE	ZR HY33 L
LEMFÖRDER	60.80662.0
LIFT-TEK	LT HY33 L
MAGNETI MARELLI	AC1153
VALEO	850834

O.E.M.:
HYUNDAI 824032C000

REF. / PUERTA

REF. 1830.0030049



AC ROLCAR	01.7432
DOGA	101040
ELECTRIC LIFE	ZR HY33 R
LEMFÖRDER	60.80663.0
LIFT-TEK	LT HY33 R
MAGNETI MARELLI	AC1154
VALEO	850835

O.E.M.:
HYUNDAI 824042C000

REF. 1830.0030050



i30
07/07->



Para vehículos con motor OEM electrónico (con función confort de origen).
For vehicles with electronic OEM motor (confort function).
Pour véhicules avec moteur OEM électronique (fonction confort).
Sólo parte mecánica | Mechanism only | Seulement mécanisme
Eléctrico | Electric | Electrique

AC ROLCAR	01.7509
DOGA	101169
ELECTRIC LIFE	ZR HY701 L
LEMFÖRDER	60.80901.0
LIFT-TEK	LT HY701 L
MAGNETI MARELLI	AC833
TRICLO	111851
VALEO	850888

O.E.M.:
HYUNDAI 824712L000

REF. 1830.0030031



AC ROLCAR	01.7508
DOGA	101170
ELECTRIC LIFE	ZR HY701 R
LEMFÖRDER	60.80902.0
LIFT-TEK	LT HY701 R
MAGNETI MARELLI	AC834
TRICLO	111850
VALEO	850889

O.E.M.:
HYUNDAI 824812L000

REF. 1830.0030032

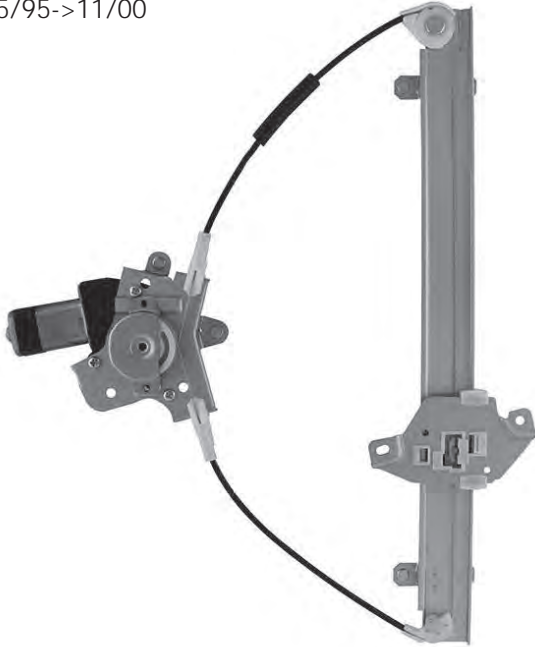




MODELO

LANTRA, FAMILIAR

05/95->11/00



Motor incluido | Motor included | Moteur inclus
Eléctrico | Electric | Electrique

CRUCES / O.E.M.

AC ROLCAR	01.7103
DOGA	100325
ELECTRIC LIFE	ZR HY16 L
LEMFÖRDER	60.45001.0
LIFT-TEK	LT HY16 L
MAGNETI MARELLI	AC219
TRICLO	111033
VALEO	850194

O.E.M.:
HYUNDAI 8240329010,
8240329012

AC ROLCAR	01.7102
DOGA	100326
ELECTRIC LIFE	ZR HY16 R
LEMFÖRDER	60.45000.0
LIFT-TEK	LT HY16 R
MAGNETI MARELLI	AC220
TRICLO	111032
VALEO	850195

O.E.M.:
HYUNDAI 8240429010,
8240429012

REF. / PUERTA

REF. 1830.0030175



REF. 1830.0030176



MODELO

DAILY III y IV

10/01->



Motor incluido | Motor included | Moteur inclus
Eléctrico | Electric | Electrique

CRUCES / O.E.M.

AC ROLCAR	01.2509
DOGA	100697
ELECTRIC LIFE	ZR ZA29 L
LEMFÖRDER	64.09187.0
LIFT-TEK	LT ZA29 L
MAGNETI MARELLI	AC341
VALEO	850494

O.E.M.: IVECO 500314230,
504173866, OPEL 4500493,
RENAULT 7700352495, 8200162710

AC ROLCAR	01.2508
DOGA	100698
ELECTRIC LIFE	ZR ZA29 R
LEMFÖRDER	64.09186.0
LIFT-TEK	LT ZA29 R
MAGNETI MARELLI	AC342
VALEO	850495

O.E.M.:
VOLVO 3176541









REF. / PUERTA

REF. 1830.0040013



REF. 1830.0040014



MODELO	CRUCES / O.E.M.	REF. / PUERTA														
<p>GRAND CHEROKEE II 09/99->05/00</p>  <p>Motor incluido Motor included Moteur inclus Eléctrico Electric Electrique</p>	<table border="1"> <tr><td>AC ROLCAR</td><td>01.3857</td></tr> <tr><td>DOGA</td><td>100357</td></tr> <tr><td>ELECTRIC LIFE</td><td>ZR JE19 L</td></tr> <tr><td>LEMFÖRDER</td><td>63.80666.0</td></tr> <tr><td>LIFT-TEK</td><td>LT JE19 L</td></tr> <tr><td>TRICLO</td><td>111181</td></tr> <tr><td>VALEO</td><td>850754</td></tr> </table> <p>O.E.M.: JEEP 05096176AA</p>	AC ROLCAR	01.3857	DOGA	100357	ELECTRIC LIFE	ZR JE19 L	LEMFÖRDER	63.80666.0	LIFT-TEK	LT JE19 L	TRICLO	111181	VALEO	850754	<p>REF. 1830.0030181</p> 
AC ROLCAR	01.3857															
DOGA	100357															
ELECTRIC LIFE	ZR JE19 L															
LEMFÖRDER	63.80666.0															
LIFT-TEK	LT JE19 L															
TRICLO	111181															
VALEO	850754															
<p>GRAND CHEROKEE II, III 99->10</p>  <p>Motor incluido Motor included Moteur inclus Eléctrico Electric Electrique</p>	<table border="1"> <tr><td>AC ROLCAR</td><td>01.3856</td></tr> <tr><td>DOGA</td><td>100358</td></tr> <tr><td>ELECTRIC LIFE</td><td>ZR JE19 R</td></tr> <tr><td>LEMFÖRDER</td><td>63.80667.0</td></tr> <tr><td>LIFT-TEK</td><td>LT JE19 R</td></tr> <tr><td>TRICLO</td><td>111180</td></tr> <tr><td>VALEO</td><td>850755</td></tr> </table> <p>O.E.M.: JEEP 05096177AA</p>	AC ROLCAR	01.3856	DOGA	100358	ELECTRIC LIFE	ZR JE19 R	LEMFÖRDER	63.80667.0	LIFT-TEK	LT JE19 R	TRICLO	111180	VALEO	850755	<p>REF. 1830.0030182</p> 
AC ROLCAR	01.3856															
DOGA	100358															
ELECTRIC LIFE	ZR JE19 R															
LEMFÖRDER	63.80667.0															
LIFT-TEK	LT JE19 R															
TRICLO	111180															
VALEO	850755															
<p>GRAND CHEROKEE II, III 99->10</p>  <p>Motor incluido Motor included Moteur inclus Eléctrico Electric Electrique</p>	<table border="1"> <tr><td>DOGA</td><td>100349</td></tr> <tr><td>ELECTRIC LIFE</td><td>ZR JE13 L</td></tr> <tr><td>LEMFÖRDER</td><td>63.80511.0</td></tr> <tr><td>LIFT-TEK</td><td>LT JE13 L</td></tr> <tr><td>VALEO</td><td>850688</td></tr> </table> <p>O.E.M.: JEEP 55363287AA</p>	DOGA	100349	ELECTRIC LIFE	ZR JE13 L	LEMFÖRDER	63.80511.0	LIFT-TEK	LT JE13 L	VALEO	850688	<p>REF. 1830.0030315</p> 				
DOGA	100349															
ELECTRIC LIFE	ZR JE13 L															
LEMFÖRDER	63.80511.0															
LIFT-TEK	LT JE13 L															
VALEO	850688															
<p>GRAND CHEROKEE II, III 99->10</p>  <p>Motor incluido Motor included Moteur inclus Eléctrico Electric Electrique</p>	<table border="1"> <tr><td>DOGA</td><td>100350</td></tr> <tr><td>ELECTRIC LIFE</td><td>ZR JE13 R</td></tr> <tr><td>LEMFÖRDER</td><td>63.80510.0</td></tr> <tr><td>LIFT-TEK</td><td>LT JE13 R</td></tr> <tr><td>VALEO</td><td>850689</td></tr> </table> <p>O.E.M.: JEEP 55363286AA</p>	DOGA	100350	ELECTRIC LIFE	ZR JE13 R	LEMFÖRDER	63.80510.0	LIFT-TEK	LT JE13 R	VALEO	850689	<p>REF. 1830.0030316</p> 				
DOGA	100350															
ELECTRIC LIFE	ZR JE13 R															
LEMFÖRDER	63.80510.0															
LIFT-TEK	LT JE13 R															
VALEO	850689															

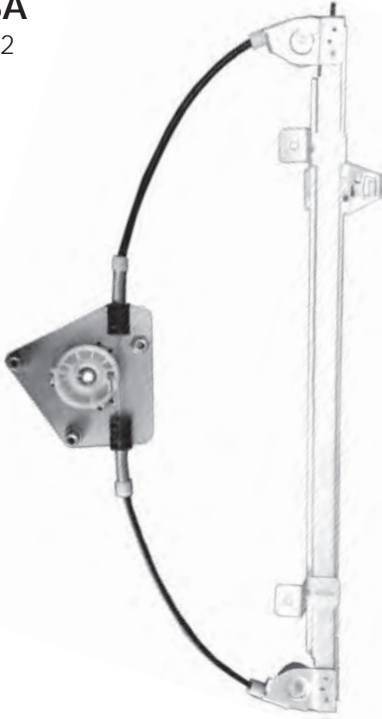
MODELO

CRUCES / O.E.M.

REF. / PUERTA

MUSA

04->12



AC ROLCAR	01.1203
DOGA	101237
ELECTRIC LIFE	ZR FT701 L
LEMFÖRDER	60.81241.0
LIFT-TEK	LT FT701 L
MAGNETI MARELLI	AC619
VALEO	850636

O.E.M.:
FIAT / LANCIA 71734870

REF. 1830.0030309



AC ROLCAR	01.1202
DOGA	101238
ELECTRIC LIFE	ZR FT701 R
LEMFÖRDER	60.81240.0
LIFT-TEK	LT FT701 R
MAGNETI MARELLI	AC620
VALEO	850637

O.E.M.:
FIAT / LANCIA 71734869

REF. 1830.0030310



Sólo parte mecánica | Mechanism only | Seulement mécanisme
Eléctrico | Electric | Electrique

ZETA

95->



AC ROLCAR	A1.1751
DOGA	100837
ELECTRIC LIFE	ZR ZA24 L
LEMFÖRDER	64.40001.0
LIFT-TEK	LT ZA24 L
MAGNETI MARELLI	AC071
TRICLO	111153
VALEO	850488

O.E.M.:
CITROËN / FIAT 9221H5,
922191HS

REF. 1830.0030411




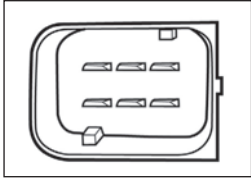





AC ROLCAR	A1.1750
DOGA	100838
ELECTRIC LIFE	ZR ZA24 R
LEMFÖRDER	64.40000.0
LIFT-TEK	LT ZA24 R
MAGNETI MARELLI	AC072
TRICLO	111152
VALEO	850489

O.E.M.:
CITROËN / FIAT 922290FS,
9222F5, 9222H3

REF. 1830.0030412



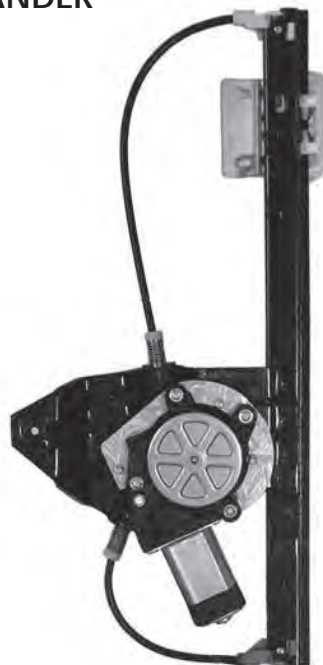
Motor incluido | Motor included | Moteur inclus
Eléctrico | Electric | Electrique

MODELO	CRUCES / O.E.M.	REF. / PUERTA																
<p>FREELANDER 10/96-></p>   <p>CONFORT</p> <p>Motor incluido Motor included Moteur inclus Eléctrico Electric Electrique</p>	<table border="1"> <tr><td>AC ROLCAR</td><td>01.3899</td></tr> <tr><td>DOGA</td><td>101047</td></tr> <tr><td>ELECTRIC LIFE</td><td>ZR LR23</td></tr> <tr><td>LEMFÖRDER</td><td>63.80682.0</td></tr> <tr><td>LIFT-TEK</td><td>LT LR23</td></tr> <tr><td>MAGNETI MARELLI</td><td>AC1159</td></tr> </table> <hr/> <p>O.E.M.: LAND ROVER CVH101150</p>	AC ROLCAR	01.3899	DOGA	101047	ELECTRIC LIFE	ZR LR23	LEMFÖRDER	63.80682.0	LIFT-TEK	LT LR23	MAGNETI MARELLI	AC1159	<p>REF. 1830.0030051</p>  <p>LUNETAS TRASERA</p>				
AC ROLCAR	01.3899																	
DOGA	101047																	
ELECTRIC LIFE	ZR LR23																	
LEMFÖRDER	63.80682.0																	
LIFT-TEK	LT LR23																	
MAGNETI MARELLI	AC1159																	
<p>FREELANDER 98->06</p> 	<table border="1"> <tr><td>AC ROLCAR</td><td>01.3981</td></tr> <tr><td>DOGA</td><td>100395</td></tr> <tr><td>ELECTRIC LIFE</td><td>ZR LR16 L</td></tr> <tr><td>LEMFÖRDER</td><td>63.80136.0</td></tr> <tr><td>LIFT-TEK</td><td>LT LR16 L</td></tr> <tr><td>MAGNETI MARELLI</td><td>AC901</td></tr> <tr><td>SPJ</td><td>745-04</td></tr> <tr><td>TRICLO</td><td>111239</td></tr> </table> <hr/> <p>O.E.M.: LAND ROVER CUH000031, CUH000032, CUH000033</p>	AC ROLCAR	01.3981	DOGA	100395	ELECTRIC LIFE	ZR LR16 L	LEMFÖRDER	63.80136.0	LIFT-TEK	LT LR16 L	MAGNETI MARELLI	AC901	SPJ	745-04	TRICLO	111239	<p>REF. 1830.0030291</p> 
AC ROLCAR	01.3981																	
DOGA	100395																	
ELECTRIC LIFE	ZR LR16 L																	
LEMFÖRDER	63.80136.0																	
LIFT-TEK	LT LR16 L																	
MAGNETI MARELLI	AC901																	
SPJ	745-04																	
TRICLO	111239																	
<p>FREELANDER 98->06</p> 	<table border="1"> <tr><td>AC ROLCAR</td><td>01.3980</td></tr> <tr><td>DOGA</td><td>100396</td></tr> <tr><td>ELECTRIC LIFE</td><td>ZR LR16 R</td></tr> <tr><td>LEMFÖRDER</td><td>63.80137.0</td></tr> <tr><td>LIFT-TEK</td><td>LT LR16 R</td></tr> <tr><td>MAGNETI MARELLI</td><td>AC902</td></tr> <tr><td>SPJ</td><td>745-03</td></tr> </table> <hr/> <p>O.E.M.: LAND ROVER CUH000021, CUH000023</p>	AC ROLCAR	01.3980	DOGA	100396	ELECTRIC LIFE	ZR LR16 R	LEMFÖRDER	63.80137.0	LIFT-TEK	LT LR16 R	MAGNETI MARELLI	AC902	SPJ	745-03	<p>REF. 1830.0030292</p> 		
AC ROLCAR	01.3980																	
DOGA	100396																	
ELECTRIC LIFE	ZR LR16 R																	
LEMFÖRDER	63.80137.0																	
LIFT-TEK	LT LR16 R																	
MAGNETI MARELLI	AC902																	
SPJ	745-03																	

MODELO

FREELANDER

10/02->



Motor incluido | Motor included | Moteur inclus
Eléctrico | Electric | Electrique

CRUCES / O.E.M.

AC ROLCAR	01.3943
DOGA	100403
ELECTRIC LIFE	ZR LR21 L
LEMFÖRDER	63.80329.0
LIFT-TEK	LT LR21 L
MAGNETI MARELLI	AC905
SPJ	745-06
TRICLO	111861
VALEO	851154

O.E.M.:
LAND ROVER CVH101212

AC ROLCAR	01.3942
DOGA	100404
ELECTRIC LIFE	ZR LR21 R
LEMFÖRDER	63.80328.0
LIFT-TEK	LT LR21 R
MAGNETI MARELLI	AC906
SPJ	745-05
TRICLO	111860
VALEO	851155

O.E.M.:
LAND ROVER CVH101202







REF. / PUERTA

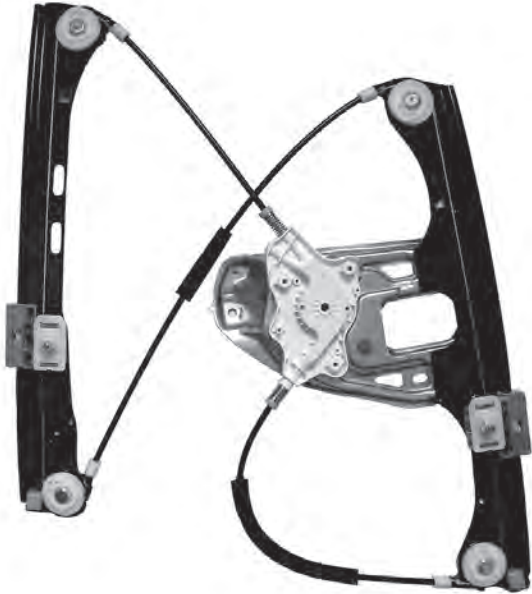


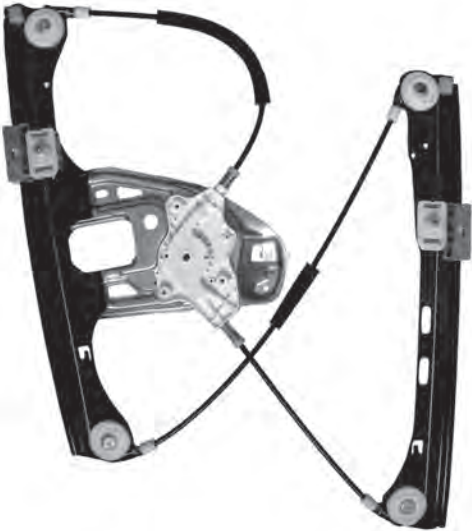


REF. 1830.0030001



REF. 1830.0030002



MODELO	CRUCES / O.E.M.	REF. / PUERTA						
<p>3 03-></p>  <p>Sólo parte mecánica Mechanism only Seulement mécanisme Eléctrico Electric Electrique</p>	<table border="1"> <tr> <td>DOGA</td> <td>101327</td> </tr> <tr> <td>SPJ</td> <td>636-24</td> </tr> </table> <p>O.E.M.: MAZDA BPAK59590</p>	DOGA	101327	SPJ	636-24	<p>REF. 1830.0030353</p> 		
DOGA	101327							
SPJ	636-24							
<p>Sólo parte mecánica Mechanism only Seulement mécanisme Eléctrico Electric Electrique</p>	<table border="1"> <tr> <td>DOGA</td> <td>101328</td> </tr> <tr> <td>SPJ</td> <td>636-23</td> </tr> </table> <p>O.E.M.: MAZDA BPAK58590</p>	DOGA	101328	SPJ	636-23	<p>REF. 1830.0030354</p> 		
DOGA	101328							
SPJ	636-23							
<p>6 02-></p>  <p>Sólo parte mecánica Mechanism only Seulement mécanisme Eléctrico Electric Electrique</p>	<table border="1"> <tr> <td>DOGA</td> <td>101329</td> </tr> <tr> <td>SPJ</td> <td>637-24</td> </tr> <tr> <td>TRICLO</td> <td>111483</td> </tr> </table> <p>O.E.M.: MAZDA GJ6A59590D</p>	DOGA	101329	SPJ	637-24	TRICLO	111483	<p>REF. 1830.0030383</p> 
DOGA	101329							
SPJ	637-24							
TRICLO	111483							
<p>Sólo parte mecánica Mechanism only Seulement mécanisme Eléctrico Electric Electrique</p>	<table border="1"> <tr> <td>DOGA</td> <td>101330</td> </tr> <tr> <td>SPJ</td> <td>637-23</td> </tr> <tr> <td>TRICLO</td> <td>111482</td> </tr> </table> <p>O.E.M.: MAZDA GJ6A58590D</p>	DOGA	101330	SPJ	637-23	TRICLO	111482	<p>REF. 1830.0030384</p> 
DOGA	101330							
SPJ	637-23							
TRICLO	111482							

MODELO	CRUCES / O.E.M.	REF. / PUERTA												
<p>CLASE C W203 00-></p>  <p>Sólo parte mecánica Mechanism only Seulement mécanisme Eléctrico Electric Electrique</p>	<table border="1"> <tr><td>DOGA</td><td>101133</td></tr> <tr><td>SPJ</td><td>772-24</td></tr> <tr><td>VALEO</td><td>850986</td></tr> </table> <p>O.E.M.: MERCEDES BENZ 2037201546</p>	DOGA	101133	SPJ	772-24	VALEO	850986	<p>REF. 1830.0030357</p> 						
DOGA	101133													
SPJ	772-24													
VALEO	850986													
	<table border="1"> <tr><td>DOGA</td><td>101134</td></tr> <tr><td>SPJ</td><td>772-23</td></tr> <tr><td>VALEO</td><td>850987</td></tr> </table> <p>O.E.M.: MERCEDES BENZ 2037201646</p>	DOGA	101134	SPJ	772-23	VALEO	850987	<p>REF. 1830.0030358</p> 						
DOGA	101134													
SPJ	772-23													
VALEO	850987													
<p>CLASE C W203 01->03</p>  <p>Para vehículos con motor OEM electrónico (con función confort de origen). For vehicles with electronic OEM motor (confort function). Pour véhicules avec moteur OEM électronique (fonction confort). Sólo parte mecánica Mechanism only Seulement mécanisme Eléctrico Electric Electrique</p>	<table border="1"> <tr><td>DOGA</td><td>101367</td></tr> <tr><td>ELECTRIC LIFE</td><td>ZR ME707 L</td></tr> <tr><td>LEMFÖRDER</td><td>60.80820.0</td></tr> <tr><td>LIFT-TEK</td><td>LT ME707 L</td></tr> <tr><td>MAGNETI MARELLI</td><td>AC955</td></tr> <tr><td>VALEO</td><td>850986</td></tr> </table> <p>O.E.M.: MERCEDES BENZ 2037201546</p>	DOGA	101367	ELECTRIC LIFE	ZR ME707 L	LEMFÖRDER	60.80820.0	LIFT-TEK	LT ME707 L	MAGNETI MARELLI	AC955	VALEO	850986	<p>REF. 1830.0030497</p> 
DOGA	101367													
ELECTRIC LIFE	ZR ME707 L													
LEMFÖRDER	60.80820.0													
LIFT-TEK	LT ME707 L													
MAGNETI MARELLI	AC955													
VALEO	850986													
	<table border="1"> <tr><td>DOGA</td><td>101368</td></tr> <tr><td>ELECTRIC LIFE</td><td>ZR ME707 R</td></tr> <tr><td>LEMFÖRDER</td><td>60.80819.0</td></tr> <tr><td>LIFT-TEK</td><td>LT ME707 R</td></tr> <tr><td>MAGNETI MARELLI</td><td>AC956</td></tr> <tr><td>VALEO</td><td>850987</td></tr> </table> <p>O.E.M.: MERCEDES BENZ 2037201646</p>	DOGA	101368	ELECTRIC LIFE	ZR ME707 R	LEMFÖRDER	60.80819.0	LIFT-TEK	LT ME707 R	MAGNETI MARELLI	AC956	VALEO	850987	<p>REF. 1830.0030498</p> 
DOGA	101368													
ELECTRIC LIFE	ZR ME707 R													
LEMFÖRDER	60.80819.0													
LIFT-TEK	LT ME707 R													
MAGNETI MARELLI	AC956													
VALEO	850987													

MODELO

CRUCES / O.E.M.

REF. / PUERTA

CLASE C W203

04->07



DOGA	101389
ELECTRIC LIFE	ZR ME711 L
LEMFÖRDER	60.80989.0
LIFT-TEK	LT ME711 L
MAGNETI MARELLI	AC959
VALEO	851004

O.E.M.:
MERCEDES BENZ 2037203146

REF. 1830.0030371



DOGA	101390
ELECTRIC LIFE	ZR ME711 R
LEMFÖRDER	60.80990.0
LIFT-TEK	LT ME711 R
MAGNETI MARELLI	AC960
VALEO	851005

O.E.M.:
MERCEDES BENZ 2037203246

REF. 1830.0030372



Para vehículos con motor OEM electrónico (con función confort de origen).
For vehicles with electronic OEM motor (confort function).
Pour véhicules avec moteur OEM électronique (fonction confort).
Sólo parte mecánica | Mechanism only | Seulement mécanisme
Eléctrico | Electric | Electrique

CLASE C W203

00->



DOGA	101135
ELECTRIC LIFE	ZR ME708 L
LIFT-TEK	LT ME708 L
SPJ	772-26

O.E.M.:
MERCEDES BENZ 2037300346

REF. 1830.0030389



DOGA	101136
ELECTRIC LIFE	ZR ME708 R
LIFT-TEK	LT ME708 R
SPJ	772-25

O.E.M.:
MERCEDES BENZ 2037300446

REF. 1830.0030390



Para vehículos con motor OEM electrónico (con función confort de origen).
For vehicles with electronic OEM motor (confort function).
Pour véhicules avec moteur OEM électronique (fonction confort).
Sólo parte mecánica | Mechanism only | Seulement mécanisme
Eléctrico | Electric | Electrique

MODELO

CRUCES / O.E.M.

REF. / PUERTA

CLASE E W210

06/95->04/02



Para vehículos con motor OEM electrónico (con función confort de origen).
For vehicles with electronic OEM motor (confort function).
Pour véhicules avec moteur OEM électronique (fonction confort).
Sólo parte mecánica | Mechanism only | Seulement mécanisme
Eléctrico | Electric | Electrique

AC ROLCAR	01.4341
DOGA	100433
ELECTRIC LIFE	ZR ME701 L
LEMFÖRDER	60.80287.0
LIFT-TEK	LT ME701 L
MAGNETI MARELLI	AC1171
SPJ	713-24
VALEO	850590

O.E.M.:
MERCEDES BENZ
A2107201146

REF. 1830.0030007



AC ROLCAR	01.4340
DOGA	100434
ELECTRIC LIFE	ZR ME701 R
LEMFÖRDER	60.80286.0
LIFT-TEK	LT ME701 R
MAGNETI MARELLI	AC1172
SPJ	713-23
VALEO	850591

O.E.M.:
MERCEDES BENZ
A2107201246

REF. 1830.0030008



CLASE E W210

06/95->04/02



Para vehículos con motor OEM electrónico (con función confort de origen).
For vehicles with electronic OEM motor (confort function).
Pour véhicules avec moteur OEM électronique (fonction confort).
Sólo parte mecánica | Mechanism only | Seulement mécanisme
Eléctrico | Electric | Electrique

AC ROLCAR	01.4343
DOGA	100435
ELECTRIC LIFE	ZR ME702 L
LEMFÖRDER	60.80331.0
LIFT-TEK	LT ME702 L
MAGNETI MARELLI	AC1173
SPJ	713-26
TRICLO	111381
VALEO	850592

O.E.M.:
MERCEDES BENZ
A2107301546

REF. 1830.0030009



AC ROLCAR	01.4342
DOGA	100436
ELECTRIC LIFE	ZR ME702 R
LEMFÖRDER	60.80330.0
LIFT-TEK	LT ME702 R
MAGNETI MARELLI	AC1174
SPJ	713-25
TRICLO	111380
VALEO	850593

O.E.M.:
MERCEDES BENZ
A2107301646

REF. 1830.0030010



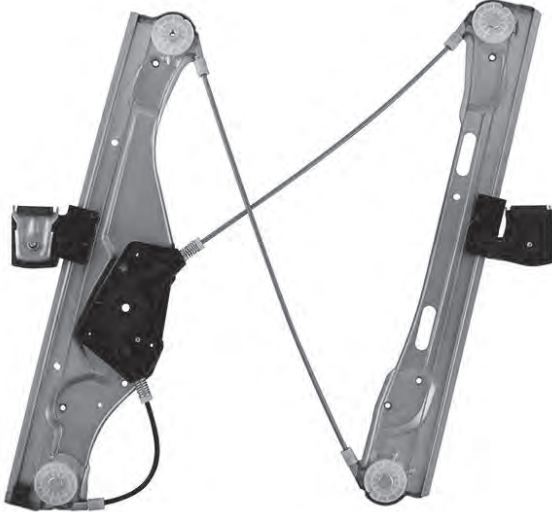
MODELO

CRUCES / O.E.M.

REF. / PUERTA

CLASE E W211

05/02->08/09



REF. 1830.0030061



AC ROLCAR	01.7605
DOGA	101343
ELECTRIC LIFE	ZR ME709 L
LIFT-TEK	LT ME709 L
MAGNETI MARELLI	AC951
SPJ	775-24
TRICLO	111467
VALEO	850982

O.E.M.:
MERCEDES BENZ
A2117200346

AC ROLCAR	01.7604
DOGA	101344
ELECTRIC LIFE	ZR ME709 R
LIFT-TEK	LT ME709 R
MAGNETI MARELLI	AC952
SPJ	775-23
TRICLO	111466
VALEO	850983

O.E.M.:
MERCEDES BENZ
A2117200446

REF. 1830.0030062



Para vehículos con motor OEM electrónico (con función confort de origen).
For vehicles with electronic OEM motor (confort function).
Pour véhicules avec moteur OEM électronique (fonction confort).
Sólo parte mecánica | Mechanism only | Seulement mécanisme
Eléctrico | Electric | Electrique

CLASE M ML W163

97->01/05



REF. 1830.0030247



AC ROLCAR	01.4361
DOGA	101181
ELECTRIC LIFE	ZR ME706 L
LIFT-TEK	LT ME706 L
TRICLO	111383

O.E.M.:
MERCEDES BENZ
A1637201146

AC ROLCAR	01.4360
DOGA	101182
ELECTRIC LIFE	ZR ME706 R
LIFT-TEK	LT ME706 R

O.E.M.:
MERCEDES BENZ
A1637201246

REF. 1830.0030248



Para vehículos con motor OEM electrónico (con función confort de origen).
For vehicles with electronic OEM motor (confort function).
Pour véhicules avec moteur OEM électronique (fonction confort).
Sólo parte mecánica | Mechanism only | Seulement mécanisme
Eléctrico | Electric | Electrique

MODELO

CRUCES / O.E.M.

REF. / PUERTA

CLASE M ML W163

98->



DOGA	101179
ELECTRIC LIFE	ZR ME84 L
LEMFÖRDER	63.80793.0
LIFT-TEK	LT ME84 L
MAGNETI MARELLI	AC1183
VALEO	850894

O.E.M.:
MERCEDES BENZ
A1637300146, A1638200142

REF. 1830.0030335



DOGA	101180
ELECTRIC LIFE	ZR ME84 R
LEMFÖRDER	63.80794.0
LIFT-TEK	LT ME84 R
MAGNETI MARELLI	AC1184
VALEO	850895

O.E.M.:
MERCEDES BENZ
A1637300246, A1638200242

REF. 1830.0030336



Motor incluido | Motor included | Moteur inclus
Eléctrico | Electric | Electrique

SERIE W124 (200, 200e, 200d, 200t, 200td, 230e, 230te, 250d, 250td, 260e, 300e, 300d, 300te, 300td)

09/84->96



AC ROLCAR	01.4301
DOGA	100415
ELECTRIC LIFE	ZR ME34 L
LEMFÖRDER	60.10003.0
LIFT-TEK	LT ME34 L
MAGNETI MARELLI	AC201
TRICLO	111047
VALEO	850242

O.E.M.:
MERCEDES BENZ 247200346,
2017200546, 2017201346

REF. 1830.0030003



AC ROLCAR	01.4300
DOGA	100416
ELECTRIC LIFE	ZR ME34 R
LEMFÖRDER	60.10002.0
LIFT-TEK	LT ME34 R
MAGNETI MARELLI	AC202
TRICLO	111046
VALEO	850243

O.E.M.:
MERCEDES BENZ 247200446,
2017200646, 2017201446

REF. 1830.0030004



Motor incluido | Motor included | Moteur inclus
Eléctrico | Electric | Electrique

MODELO

SERIE 190, W201

09/84->96



Motor incluido | Motor included | Moteur inclus
Eléctrico | Electric | Electrique

CRUCES / O.E.M.

AC ROLCAR	01.4301
DOGA	100415
ELECTRIC LIFE	ZR ME34 L
LEMFÖRDER	60.10003.0
LIFT-TEK	LT ME34 L
MAGNETI MARELLI	AC201
TRICLO	111047
VALEO	850242

O.E.M.:

MERCEDES BENZ 1247200346,
2017200546, 2017201346

REF. / PUERTA

REF. 1830.0030003



AC ROLCAR	01.4300
DOGA	100416
ELECTRIC LIFE	ZR ME34 R
LEMFÖRDER	60.10002.0
LIFT-TEK	LT ME34 R
MAGNETI MARELLI	AC202
TRICLO	111046
VALEO	850243

O.E.M.:

MERCEDES BENZ 1247200446,
2017200646, 2017201446

REF. 1830.0030004



VIANO W638

96->02/04



Motor incluido | Motor included | Moteur inclus
Eléctrico | Electric | Electrique

AC ROLCAR	01.4311
DOGA	100427
ELECTRIC LIFE	ZR ME63 LB
LEMFÖRDER	64.10001.0
LIFT-TEK	LT ME63 LB
MAGNETI MARELLI	AC353
SPJ	712-04
TRICLO	111096
VALEO	850248

O.E.M.:

MERCEDES BENZ A6387200146

REF. 1830.0030005



AC ROLCAR	01.4310
DOGA	100428
ELECTRIC LIFE	ZR ME63 RB
LEMFÖRDER	64.10000.0
LIFT-TEK	LT ME63 RB
MAGNETI MARELLI	AC354
SPJ	712-03
TRICLO	111095
VALEO	850249

O.E.M.:

MERCEDES BENZ A6387200246

REF. 1830.0030006



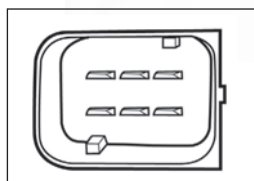
MODELO

CRUCES / O.E.M.

REF. / PUERTA

VIANO

03->



CONFORT

Motor incluido | Motor included | Moteur inclus
Eléctrico | Electric | Electrique

AC ROLCAR	01.4335
DOGA	101375
LEMFÖRDER	64.81557.0

O.E.M.:
MERCEDES BENZ
A63972000046

REF. 1830.0030499



AC ROLCAR	01.4334
DOGA	101376
LEMFÖRDER	64.81556.0

O.E.M.:
MERCEDES BENZ
A63972000146

REF. 1830.0030500



VIANO W639

03/04->09/10



Sólo para motor Bosch (8 dientes)
Only for Bosch motor (8 teeth)
Seulement pour motor Bosch (8 dents)
Sólo parte mecánica | Mechanism only | Seulement mécanisme
Eléctrico | Electric | Electrique

AC ROLCAR	01.4397
DOGA	101050
ELECTRIC LIFE	ZR ME703 L
LEMFÖRDER	64.80693.0
LIFT-TEK	LT ME703 L
SPJ	706-22
TRICLO	111375
VALEO	850766

O.E.M.:
MERCEDES BENZ
A6397200046

REF. 1830.0030053



AC ROLCAR	01.4396
DOGA	101051
ELECTRIC LIFE	ZR ME703 R
LEMFÖRDER	64.80694.0
LIFT-TEK	LT ME703 R
MAGNETI MARELLI	AC754
SPJ	706-21
TRICLO	111374
VALEO	850767

O.E.M.:
MERCEDES BENZ
A6397200146

REF. 1830.0030054



MODELO

CRUCES / O.E.M.

REF. / PUERTA

VIANO

09/10->



AC ROLCAR	01.7713
DOGA	101679
ELECTRIC LIFE	ZR ME717 L
LEMFÖRDER	64.81555.0
LIFT-TEK	LT ME717 L
MAGNETI MARELLI	AC1336

O.E.M.:
MERCEDES BENZ
A6397200446

REF. 1830.0030505



Sólo para motor Brose (24 dientes)
Only for Brose motor (24 teeth)
Seulement pour motor Brose (24 dents)

Sólo parte mecánica | Mechanism only | Seulement mécanisme
Eléctrico | Electric | Electrique

AC ROLCAR	01.7712
DOGA	101680
ELECTRIC LIFE	ZR ME717 R
LEMFÖRDER	64.81554.0
LIFT-TEK	LT ME717 R
MAGNETI MARELLI	AC1337

O.E.M.:
MERCEDES BENZ
A6397200546

REF. 1830.0030506



VITO W638

96->02/04



AC ROLCAR	01.4311
DOGA	100427
ELECTRIC LIFE	ZR ME63 LB
LEMFÖRDER	64.10001.0
LIFT-TEK	LT ME63 LB
MAGNETI MARELLI	AC353
SPJ	712-04
TRICLO	111096
VALEO	850248

O.E.M.:
MERCEDES BENZ
A6387200146

REF. 1830.0030005



AC ROLCAR	01.4310
DOGA	100428
ELECTRIC LIFE	ZR ME63 RB
LEMFÖRDER	64.10000.0
LIFT-TEK	LT ME63 RB
MAGNETI MARELLI	AC354
SPJ	712-03
TRICLO	111095
VALEO	850249

O.E.M.:
MERCEDES BENZ
A6387200246

REF. 1830.0030006



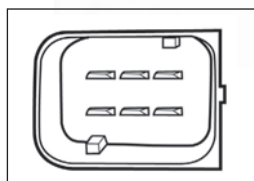
Motor incluido | Motor included | Moteur inclus
Eléctrico | Electric | Electrique

MODELO

CRUCES / O.E.M.

REF. / PUERTA

VITO
03->



CONFORT

Motor incluido | Motor included | Moteur inclus
Eléctrico | Electric | Electrique

AC ROLCAR	01.4335
DOGA	101375
LEMFÖRDER	64.81557.0

O.E.M.:
MERCEDES BENZ
A63972000046

REF. 1830.0030499



AC ROLCAR	01.4334
DOGA	101376
LEMFÖRDER	64.81556.0

O.E.M.:
MERCEDES BENZ
A63972000146

REF. 1830.0030500



VITO W639
03/04->09/10



Sólo para motor Bosch (8 dientes)
Only for Bosch motor (8 teeth)
Seulement pour motor Bosch (8 dents)
Sólo parte mecánica | Mechanism only | Seulement mécanisme
Eléctrico | Electric | Electrique

AC ROLCAR	01.4397
DOGA	101050
ELECTRIC LIFE	ZR ME703 L
LEMFÖRDER	64.80693.0
LIFT-TEK	LT ME703 L
SPJ	706-22
TRICLO	111375
VALEO	850766

O.E.M.:
MERCEDES BENZ
A6397200046

REF. 1830.0030053



AC ROLCAR	01.4396
DOGA	101051
ELECTRIC LIFE	ZR ME703 R
LEMFÖRDER	64.80694.0
LIFT-TEK	LT ME703 R
MAGNETI MARELLI	AC754
SPJ	706-21
TRICLO	111374
VALEO	850767

O.E.M.:
MERCEDES BENZ
A6397200146

REF. 1830.0030054



MODELO

VITO
09/10->



Sólo para motor Brose (24 dientes)
Only for Brose motor (24 teeth)
Seulement pour motor Brose (24 dents)
Sólo parte mecánica | Mechanism only | Seulement mécanisme
Eléctrico | Electric | Electrique

CRUCES / O.E.M.

AC ROLCAR	01.7713
DOGA	101679
ELECTRIC LIFE	ZR ME717 L
LEMFÖRDER	64.81555.0
LIFT-TEK	LT ME717 L
MAGNETI MARELLI	AC1336

O.E.M.:
MERCEDES BENZ
A6397200446

AC ROLCAR	01.7712
DOGA	101680
ELECTRIC LIFE	ZR ME717 R
LEMFÖRDER	64.81554.0
LIFT-TEK	LT ME717 R
MAGNETI MARELLI	AC1337

O.E.M.:
MERCEDES BENZ
A6397200546

REF. / PUERTA

REF. 1830.0030505



REF. 1830.0030506



MODELO

CRUCES / O.E.M.

REF. / PUERTA

MONTERO, PAJERO V21, V44

91->00



AC ROLCAR	01.7151
DOGA	100445
ELECTRIC LIFE	ZR MI32 L B
LEMFÖRDER	63.47003.0
LIFT-TEK	LT MI32 L B
MAGNETI MARELLI	AC365
TRICLO	111175
VALEO	850260

O.E.M.:
MITSUBISHI MB669161,
 MB669163

REF. 1830.0030011









AC ROLCAR	01.7150
DOGA	100446
ELECTRIC LIFE	ZR MI32 R B
LEMFÖRDER	63.47002.0
LIFT-TEK	LT MI32 R B
MAGNETI MARELLI	AC366
TRICLO	111174
VALEO	850261

O.E.M.:
MITSUBISHI MB669162,
 MB669164

REF. 1830.0030012



Motor incluido | Motor included | Moteur inclus
 Eléctrico | Electric | Electrique

MODELO	CRUCES / O.E.M.	REF. / PUERTA																								
<p>FRONTIER PICK UP 02/98-></p>  <p>Motor incluido Motor included Moteur inclus Eléctrico Electric Electrique</p>	<table border="1"> <tr><td>DOGA</td><td>100181</td></tr> <tr><td>ELECTRIC LIFE</td><td>ZR DN78 L</td></tr> <tr><td>LEMFÖRDER</td><td>63.80632.0</td></tr> <tr><td>LIFT-TEK</td><td>LT DN78 L</td></tr> <tr><td>MAGNETI MARELLI</td><td>AC1133</td></tr> </table> <hr/> <p>O.E.M.: NISSAN 80721VJ200, 807312S410 (2002>)</p> <table border="1"> <tr><td>DOGA</td><td>100182</td></tr> <tr><td>ELECTRIC LIFE</td><td>ZR DN78 R</td></tr> <tr><td>LEMFÖRDER</td><td>63.80633.0</td></tr> <tr><td>LIFT-TEK</td><td>LT DN78 R</td></tr> <tr><td>MAGNETI MARELLI</td><td>AC1134</td></tr> </table> <hr/> <p>O.E.M.: NISSAN 807202S410, 807302S410 (2002>)</p>	DOGA	100181	ELECTRIC LIFE	ZR DN78 L	LEMFÖRDER	63.80632.0	LIFT-TEK	LT DN78 L	MAGNETI MARELLI	AC1133	DOGA	100182	ELECTRIC LIFE	ZR DN78 R	LEMFÖRDER	63.80633.0	LIFT-TEK	LT DN78 R	MAGNETI MARELLI	AC1134	<p>REF. 1830.0030273</p>  <hr/> <p>REF. 1830.0030274</p> 				
DOGA	100181																									
ELECTRIC LIFE	ZR DN78 L																									
LEMFÖRDER	63.80632.0																									
LIFT-TEK	LT DN78 L																									
MAGNETI MARELLI	AC1133																									
DOGA	100182																									
ELECTRIC LIFE	ZR DN78 R																									
LEMFÖRDER	63.80633.0																									
LIFT-TEK	LT DN78 R																									
MAGNETI MARELLI	AC1134																									
<p>INTERSTAR 10/01-></p>  <p>Motor incluido Motor included Moteur inclus Eléctrico Electric Electrique</p>	<table border="1"> <tr><td>AC ROLCAR</td><td>01.2509</td></tr> <tr><td>DOGA</td><td>100697</td></tr> <tr><td>ELECTRIC LIFE</td><td>ZR ZA29 L</td></tr> <tr><td>LIFT-TEK</td><td>LT ZA29 L</td></tr> <tr><td>MAGNETI MARELLI</td><td>AC341</td></tr> <tr><td>VALEO</td><td>850494</td></tr> </table> <hr/> <p>O.E.M.: IVECO 500314229, 504173868, OPEL 4500492 RENAULT 7700352494, 8200162708</p> <table border="1"> <tr><td>AC ROLCAR</td><td>01.2508</td></tr> <tr><td>DOGA</td><td>100698</td></tr> <tr><td>ELECTRIC LIFE</td><td>ZR ZA29 R</td></tr> <tr><td>LIFT-TEK</td><td>LT ZA29 R</td></tr> <tr><td>MAGNETI MARELLI</td><td>AC342</td></tr> <tr><td>VALEO</td><td>850495</td></tr> </table> <hr/> <p>O.E.M.: IVECO 500314230, 504173866, OPEL 4500493, RENAULT 7700352495, 8200162710</p>	AC ROLCAR	01.2509	DOGA	100697	ELECTRIC LIFE	ZR ZA29 L	LIFT-TEK	LT ZA29 L	MAGNETI MARELLI	AC341	VALEO	850494	AC ROLCAR	01.2508	DOGA	100698	ELECTRIC LIFE	ZR ZA29 R	LIFT-TEK	LT ZA29 R	MAGNETI MARELLI	AC342	VALEO	850495	<p>REF. 1830.0040013</p>  <hr/> <p>REF. 1830.0040014</p> 
AC ROLCAR	01.2509																									
DOGA	100697																									
ELECTRIC LIFE	ZR ZA29 L																									
LIFT-TEK	LT ZA29 L																									
MAGNETI MARELLI	AC341																									
VALEO	850494																									
AC ROLCAR	01.2508																									
DOGA	100698																									
ELECTRIC LIFE	ZR ZA29 R																									
LIFT-TEK	LT ZA29 R																									
MAGNETI MARELLI	AC342																									
VALEO	850495																									

MODELO

MICRA II K11

06/92->02/03



CRUCES / O.E.M.

AC ROLCAR	01.6903
DOGA	100165
ELECTRIC LIFE	ZR DN59 L
LEMFÖRDER	60.42003.0
LIFT-TEK	LT DN59 L
MAGNETI MARELLI	AC231
SPJ	684-04
TRICLO	111053
VALEO	850070

O.E.M.:
NISSAN 807015F600

REF. / PUERTA

REF. 1830.0030141



AC ROLCAR	01.6902
DOGA	100166
ELECTRIC LIFE	ZR DN59 R
LEMFÖRDER	60.42002.0
LIFT-TEK	LT DN59 R
MAGNETI MARELLI	AC232
SPJ	684-03
TRICLO	111052
VALEO	850071

O.E.M.:
NISSAN 807005F600,
807204F112

REF. 1830.0030142



Motor incluido | Motor included | Moteur inclus
Eléctrico | Electric | Electrique

NAVARA PICK UP

05->



DOGA	101393
ELECTRIC LIFE	ZR DN702 L
LEMFÖRDER	63.80817.0
LIFT-TEK	LT DN702 L
MAGNETI MARELLI	AC963
TRICLO	111811

O.E.M.:
NISSAN 802701EB300

REF. 1830.0030355



DOGA	101394
ELECTRIC LIFE	ZR DN702 R
LEMFÖRDER	63.80818.0
LIFT-TEK	LT DN702 R
MAGNETI MARELLI	AC964
TRICLO	111810

O.E.M.:
NISSAN 802700EB305

REF. 1830.0030356



Para vehículos con motor OEM electrónico (con función confort de origen).
For vehicles with electronic OEM motor (confort function).
Pour véhicules avec moteur OEM électronique (fonction confort).
Sólo parte mecánica | Mechanism only | Seulement mécanisme
Eléctrico | Electric | Electrique

MODELO

CRUCES / O.E.M.

REF. / PUERTA

PRIMASTAR

01->



AC ROLCAR	01.4557
DOGA	100847
ELECTRIC LIFE	ZR ZA32 L
LEMFÖRDER	64.80179.0
LIFT-TEK	LT ZA32 L
MAGNETI MARELLI	AC427
TRICLO	115555
VALEO	850498

O.E.M.:
OPEL 4408554, 91165704,
7700311820

REF. 1830.0030413



AC ROLCAR	01.4556
DOGA	100848
ELECTRIC LIFE	ZR ZA32 R
LEMFÖRDER	64.80178.0
LIFT-TEK	LT ZA32 R
MAGNETI MARELLI	AC428
TRICLO	115554
VALEO	850499

O.E.M.:
OPEL 4408555, 91165705,
7700311821

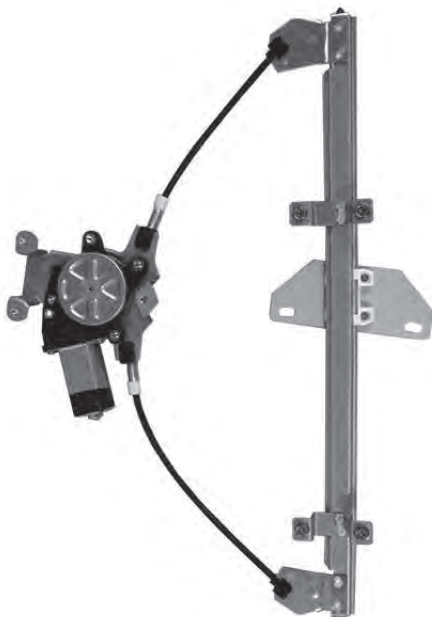
REF. 1830.0030414



Motor incluido | Motor included | Moteur inclus
Eléctrico | Electric | Electrique

PRIMERA BERLINA, FAMILIAR

09/96->04/02



AC ROLCAR	01.6922
DOGA	100177
ELECTRIC LIFE	ZR DN75 L
LEMFÖRDER	60.42013.0
LIFT-TEK	LT DN75 L
MAGNETI MARELLI	AC247
TRICLO	111271
VALEO	850080

O.E.M.:
NISSAN 807012F000

REF. 1830.0030145



AC ROLCAR	01.6921
DOGA	100178
ELECTRIC LIFE	ZR DN75 R
LEMFÖRDER	60.42012.0
LIFT-TEK	LT DN75 R
MAGNETI MARELLI	AC248
TRICLO	111270
VALEO	850081

O.E.M.:
NISSAN 807002F000

REF. 1830.0030146

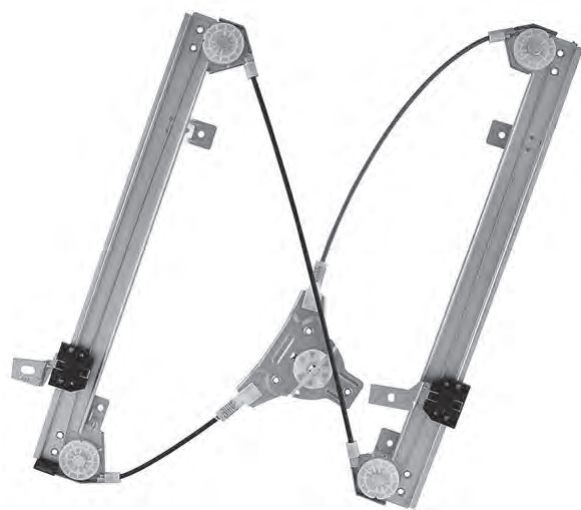


Motor incluido | Motor included | Moteur inclus
Eléctrico | Electric | Electrique

MODELO

PRIMERA BERLINA, FAMILIAR (Acenta, Tekna, Visia)

05/02->



Para vehículos con motor OEM electrónico (con función confort de origen).
For vehicles with electronic OEM motor (confort function).
Pour véhicules avec moteur OEM électronique (fonction confort).
Sólo parte mecánica | Mechanism only | Seulement mécanisme
Eléctrico | Electric | Electrique

CRUCES / O.E.M.

AC ROLCAR	01.6950
DOGA	100173
ELECTRIC LIFE	ZR DN701 L
LEMFÖRDER	60.80519.0
LIFT-TEK	LT DN701 L
MAGNETI MARELLI	AC595
TRICLO	111377
VALEO	850626

O.E.M.:
NISSAN 80771AV611

REF. / PUERTA

REF. 1830.0030143



AC ROLCAR	01.6949
DOGA	100174
ELECTRIC LIFE	ZR DN701 R
LEMFÖRDER	60.80518.0
LIFT-TEK	LT DN701 R
MAGNETI MARELLI	AC596
TRICLO	111376
VALEO	850627

O.E.M.:
NISSAN 80770AV601

REF. 1830.0030144



QASHQAI J10

01/07->



Para vehículos con motor OEM electrónico (con función confort de origen).
For vehicles with electronic OEM motor (confort function).
Pour véhicules avec moteur OEM électronique (fonction confort).
Sólo parte mecánica | Mechanism only | Seulement mécanisme
Eléctrico | Electric | Electrique

AC ROLCAR	01.7715
DOGA	101581
ELECTRIC LIFE	ZR DN703 L
LEMFÖRDER	63.80821.0
LIFT-TEK	LT DN703 L
MAGNETI MARELLI	AC1113
TRICLO	111735
VALEO	851022

O.E.M.:
NISSAN 80771JD000

REF. 1830.0030079











AC ROLCAR	01.7714
DOGA	101582
ELECTRIC LIFE	ZR DN703 R
LEMFÖRDER	63.80822.0
LIFT-TEK	LT DN703 R
MAGNETI MARELLI	AC1114
TRICLO	111734
VALEO	851023

O.E.M.:
NISSAN 80770JD00A

REF. 1830.0030080



MODELO	CRUCES / O.E.M.	REF. / PUERTA																		
<p>TERRANO II Adventure, Anniversary, Elegance: 02/02-> Comfort, Sport, Safari, Luxury, Elegance: 09/99->02</p>  <p>Motor incluido Motor included Moteur inclus Eléctrico Electric Electrique</p>	<table border="1"> <tr><td>AC ROLCAR</td><td>01.6907</td></tr> <tr><td>DOGA</td><td>100201</td></tr> <tr><td>ELECTRIC LIFE</td><td>ZR DN67 L B</td></tr> <tr><td>LEMFÖRDER</td><td>63.42009.0</td></tr> <tr><td>LIFT-TEK</td><td>LT DN67 L B</td></tr> <tr><td>MAGNETI MARELLI</td><td>AC725</td></tr> <tr><td>SPJ</td><td>692-04</td></tr> <tr><td>TRICLO</td><td>111091</td></tr> <tr><td>VALEO</td><td>850072</td></tr> </table> <p>O.E.M.: FORD 807010F010, 807010F015</p>	AC ROLCAR	01.6907	DOGA	100201	ELECTRIC LIFE	ZR DN67 L B	LEMFÖRDER	63.42009.0	LIFT-TEK	LT DN67 L B	MAGNETI MARELLI	AC725	SPJ	692-04	TRICLO	111091	VALEO	850072	<p>REF. 1830.0030157</p> 
AC ROLCAR	01.6907																			
DOGA	100201																			
ELECTRIC LIFE	ZR DN67 L B																			
LEMFÖRDER	63.42009.0																			
LIFT-TEK	LT DN67 L B																			
MAGNETI MARELLI	AC725																			
SPJ	692-04																			
TRICLO	111091																			
VALEO	850072																			
<p>TERRANO II Adventure, Anniversary, Elegance 02/02-></p>  <p>Motor incluido Motor included Moteur inclus Eléctrico Electric Electrique</p>	<table border="1"> <tr><td>AC ROLCAR</td><td>01.6906</td></tr> <tr><td>DOGA</td><td>100202</td></tr> <tr><td>ELECTRIC LIFE</td><td>ZR DN67 R B</td></tr> <tr><td>LEMFÖRDER</td><td>63.42008.0</td></tr> <tr><td>LIFT-TEK</td><td>LT DN67 R B</td></tr> <tr><td>MAGNETI MARELLI</td><td>AC726</td></tr> <tr><td>SPJ</td><td>692-03</td></tr> <tr><td>TRICLO</td><td>111092</td></tr> <tr><td>VALEO</td><td>850073</td></tr> </table> <p>O.E.M.: FORD 807000F010, 807000F015</p>	AC ROLCAR	01.6906	DOGA	100202	ELECTRIC LIFE	ZR DN67 R B	LEMFÖRDER	63.42008.0	LIFT-TEK	LT DN67 R B	MAGNETI MARELLI	AC726	SPJ	692-03	TRICLO	111092	VALEO	850073	<p>REF. 1830.0030158</p> 
AC ROLCAR	01.6906																			
DOGA	100202																			
ELECTRIC LIFE	ZR DN67 R B																			
LEMFÖRDER	63.42008.0																			
LIFT-TEK	LT DN67 R B																			
MAGNETI MARELLI	AC726																			
SPJ	692-03																			
TRICLO	111092																			
VALEO	850073																			
<p>TERRANO II Adventure, Anniversary, Elegance 02/02-></p>  <p>Motor incluido Motor included Moteur inclus Eléctrico Electric Electrique</p>	<table border="1"> <tr><td>AC ROLCAR</td><td>01.6909</td></tr> <tr><td>DOGA</td><td>100191</td></tr> <tr><td>ELECTRIC LIFE</td><td>ZR DN91 L</td></tr> <tr><td>LEMFÖRDER</td><td>63.42011.0</td></tr> <tr><td>LIFT-TEK</td><td>LT DN91 L</td></tr> <tr><td>SPJ</td><td>692-06</td></tr> <tr><td>TRICLO</td><td>111379</td></tr> </table> <p>O.E.M.: NISSAN 827018F300, 827012X400, 827010F610</p>	AC ROLCAR	01.6909	DOGA	100191	ELECTRIC LIFE	ZR DN91 L	LEMFÖRDER	63.42011.0	LIFT-TEK	LT DN91 L	SPJ	692-06	TRICLO	111379	<p>REF. 1830.0030147</p> 				
AC ROLCAR	01.6909																			
DOGA	100191																			
ELECTRIC LIFE	ZR DN91 L																			
LEMFÖRDER	63.42011.0																			
LIFT-TEK	LT DN91 L																			
SPJ	692-06																			
TRICLO	111379																			
<p>TERRANO II Adventure, Anniversary, Elegance 02/02-></p>  <p>Motor incluido Motor included Moteur inclus Eléctrico Electric Electrique</p>	<table border="1"> <tr><td>AC ROLCAR</td><td>01.6908</td></tr> <tr><td>DOGA</td><td>100192</td></tr> <tr><td>ELECTRIC LIFE</td><td>ZR DN91 R</td></tr> <tr><td>LEMFÖRDER</td><td>63.42010.0</td></tr> <tr><td>LIFT-TEK</td><td>LT DN91 R</td></tr> <tr><td>SPJ</td><td>692-05</td></tr> <tr><td>TRICLO</td><td>111378</td></tr> </table> <p>O.E.M.: NISSAN 827008F300, 827002X400, 827000F610</p>	AC ROLCAR	01.6908	DOGA	100192	ELECTRIC LIFE	ZR DN91 R	LEMFÖRDER	63.42010.0	LIFT-TEK	LT DN91 R	SPJ	692-05	TRICLO	111378	<p>REF. 1830.0030148</p> 				
AC ROLCAR	01.6908																			
DOGA	100192																			
ELECTRIC LIFE	ZR DN91 R																			
LEMFÖRDER	63.42010.0																			
LIFT-TEK	LT DN91 R																			
SPJ	692-05																			
TRICLO	111378																			

MODELO

AGILA
00->07



Motor incluido | Motor included | Moteur inclus
Eléctrico | Electric | Electrique

ASTRA G
03/98->02/04



Para vehículos con motor OEM electrónico (con función confort de origen).
For vehicles with electronic OEM motor (confort function).
Pour véhicules avec moteur OEM électronique (fonction confort).
Sólo parte mecánica | Mechanism only | Seulement mécanisme
Eléctrico | Electric | Electrique

CRUCES / O.E.M.

AC ROLCAR	01.4245
DOGA	100519
ELECTRIC LIFE	ZR OP73 L
LEMFÖRDER	60.80429.0
LIFT-TEK	LT OP73 L
MAGNETI MARELLI	AC453
TRICLO	118253
VALEO	850288

O.E.M.:
OPEL 9206373

AC ROLCAR	01.4244
DOGA	100520
ELECTRIC LIFE	ZR OP73 R
LEMFÖRDER	60.80428.0
LIFT-TEK	LT OP73 R
MAGNETI MARELLI	AC454
TRICLO	118252
VALEO	850289

O.E.M.:
OPEL 9206371

AC ROLCAR	01.4283
DOGA	100509
ELECTRIC LIFE	ZR OP701 L
LIFT-TEK	LT OP701 L
MAGNETI MARELLI	AC897
SPJ	453-26
TRICLO	118469
VALEO	850566

O.E.M.:
OPEL 5140015, 90521877

AC ROLCAR	01.4282
DOGA	100510
ELECTRIC LIFE	ZR OP701 R
LIFT-TEK	LT OP701 R
MAGNETI MARELLI	AC898
SPJ	453-25
TRICLO	118468
VALEO	850567

O.E.M.:
OPEL 5140016, 90521878

REF. / PUERTA

REF. 1830.0030477



REF. 1830.0030478



REF. 1830.0030013



REF. 1830.0030014



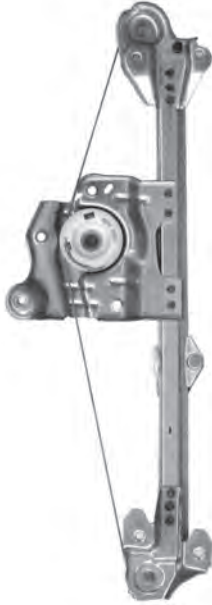
MODELO

CRUCES / O.E.M.

REF. / PUERTA

ASTRA H

03/04->



AC ROLCAR	01.7599
DOGA	100511
ELECTRIC LIFE	ZR OP702 L
LEMFÖRDER	60.80703.0
LIFT-TEK	LT OP702 L
MAGNETI MARELLI	AC757
VALEO	850770

O.E.M.:
OPEL 140308

REF. 1830.0030475



AC ROLCAR	01.7598
DOGA	100512
ELECTRIC LIFE	ZR OP702 R
LEMFÖRDER	60.80704.0
LIFT-TEK	LT OP702 R
MAGNETI MARELLI	AC758
VALEO	850771

O.E.M.:
OPEL 140309

REF. 1830.0030476



Para vehículos con motor OEM electrónico (con función confort de origen).
For vehicles with electronic OEM motor (confort function).
Pour véhicules avec moteur OEM électronique (fonction confort).
Sólo parte mecánica | Mechanism only | Seulement mécanisme
Eléctrico | Electric | Électrique

ASTRA J

09->



AC ROLCAR	01.7719
DOGA	101473
ELECTRIC LIFE	ZR OP712 L
LEMFÖRDER	60.80997.0
LIFT-TEK	LT OP712 L
MAGNETI MARELLI	AC1193
VALEO	851026

O.E.M.:
OPEL 13313568, 140321

REF. 1830.0030343



AC ROLCAR	01.7718
DOGA	101474
ELECTRIC LIFE	ZR OP712 R
LEMFÖRDER	60.80998.0
LIFT-TEK	LT OP712 R
MAGNETI MARELLI	AC1194
VALEO	851027

O.E.M.:
OPEL 13313569, 140322

REF. 1830.0030344



Para vehículos con motor OEM electrónico (con función confort de origen).
For vehicles with electronic OEM motor (confort function).
Pour véhicules avec moteur OEM électronique (fonction confort).
Sólo parte mecánica | Mechanism only | Seulement mécanisme
Eléctrico | Electric | Électrique

MODELO

MERIVA

03/03->05/10



Para vehículos con motor OEM electrónico (con función confort de origen).
For vehicles with electronic OEM motor (confort function).
Pour véhicules avec moteur OEM électronique (fonction confort).
Sólo parte mecánica | Mechanism only | Seulement mécanisme
Eléctrico | Electric | Electrique

CRUCES / O.E.M.

AC ROLCAR	01.7531
DOGA	101189
ELECTRIC LIFE	ZR OP708 L
LEMFÖRDER	60.80915.0
LIFT-TEK	LT OP708 L
MAGNETI MARELLI	AC847
SPJ	462-26
TRICLO	118503
VALEO	850904

O.E.M.:
OPEL 5140069

REF. / PUERTA

REF. 1830.0030249



AC ROLCAR	01.7530
DOGA	101190
ELECTRIC LIFE	ZR OP708 R
LEMFÖRDER	60.80916.0
LIFT-TEK	LT OP708 R
MAGNETI MARELLI	AC848
SPJ	462-25
TRICLO	118502
VALEO	850905

O.E.M.:
OPEL 5140070

REF. 1830.0030250



MOVANO

10/01->



Motor incluido | Motor included | Moteur inclus
Eléctrico | Electric | Electrique

AC ROLCAR	01.2509
DOGA	100697
ELECTRIC LIFE	ZR ZA29 L
LIFT-TEK	LT ZA29 L
MAGNETI MARELLI	AC341
VALEO	850494

O.E.M.: IVECO 500314229,
504173868, OPEL 4500492
RENAULT 7700352494, 8200162708

REF. 1830.0040013



AC ROLCAR	01.2508
DOGA	100698
ELECTRIC LIFE	ZR ZA29 R
LIFT-TEK	LT ZA29 R
MAGNETI MARELLI	AC342
VALEO	850495

O.E.M.: IVECO 500314230,
504173866, OPEL 4500493,
RENAULT 7700352495, 8200162710

REF. 1830.0040014



MODELO

VECTRA B
09/95->04/02



Para vehículos con motor OEM electrónico (con función confort de origen).
For vehicles with electronic OEM motor (confort function).
Pour véhicules avec moteur OEM électronique (fonction confort).
Sólo parte mecánica | Mechanism only | Seulement mécanisme
Eléctrico | Electric | Electrique

CRUCES / O.E.M.

AC ROLCAR	01.4231
DOGA	101056
ELECTRIC LIFE	ZR OP705 L
LEMFÖRDER	60.80705.0
LIFT-TEK	LT OP705 L
MAGNETI MARELLI	AC1187
TRICLO	118511
VALEO	850840

O.E.M.:
OPEL 140255

REF. / PUERTA

REF. 1830.0030055



AC ROLCAR	01.4230
DOGA	101057
ELECTRIC LIFE	ZR OP705 R
LEMFÖRDER	60.80706.0
LIFT-TEK	LT OP705 R
MAGNETI MARELLI	AC1188
TRICLO	118510
VALEO	850841

O.E.M.:
OPEL 140258

REF. 1830.0030056



VIVARO
01->



AC ROLCAR	01.4557
DOGA	100847
ELECTRIC LIFE	ZR ZA32 L
LEMFÖRDER	64.80179.0
LIFT-TEK	LT ZA32 L
MAGNETI MARELLI	AC427
TRICLO	115555
VALEO	850498

O.E.M.:
OPEL 4408554, 91165704,
7700311820

REF. 1830.0030413



AC ROLCAR	01.4556
DOGA	100848
ELECTRIC LIFE	ZR ZA32 R
LEMFÖRDER	64.80178.0
LIFT-TEK	LT ZA32 R
MAGNETI MARELLI	AC428
TRICLO	115554
VALEO	850499

O.E.M.:
OPEL 4408555, 91165705,
7700311821

REF. 1830.0030414



Motor incluido | Motor included | Moteur inclus
Eléctrico | Electric | Electrique

MODELO

ZAFIRA A

99->



Para vehículos con motor OEM electrónico (con función confort de origen).
 For vehicles with electronic OEM motor (confort function).
 Pour véhicules avec moteur OEM électronique (fonction confort).
Sólo parte mecánica | Mechanism only | Seulement mécanisme
Eléctrico | Electric | Electrique

CRUCES / O.E.M.

AC ROLCAR	01.7633
DOGA	101195
ELECTRIC LIFE	ZR OP709 L
LEMFÖRDER	60.80921.0
LIFT-TEK	LT OP709 L
MAGNETI MARELLI	AC885
SPJ	467-26
VALEO	850910

O.E.M.:
OPEL 5140031

AC ROLCAR	01.7632
DOGA	101196
ELECTRIC LIFE	ZR OP709 R
LEMFÖRDER	60.80922.0
LIFT-TEK	LT OP709 R
MAGNETI MARELLI	AC886
SPJ	467-25
VALEO	850911

O.E.M.:
OPEL 5140032

REF. / PUERTA

REF. 1830.0030337



REF. 1830.0030338



MODELO

CRUCES / O.E.M.

REF. / PUERTA

106
09/96->



AC ROLCAR	A1.4409
DOGA	100529
ELECTRIC LIFE	ZR PG17 L
LEMFÖRDER	60.40011.0
LIFT-TEK	LT PG17 L
MAGNETI MARELLI	AC129
SPJ	212-02
TRICLO	118301
VALEO	850314

O.E.M.:
PSA 9221F4, 922177

REF. 1830.0030017



Motor incluido | Motor included | Moteur inclus
Eléctrico | Electric | Electrique

AC ROLCAR	A1.4408
DOGA	100530
ELECTRIC LIFE	ZR PG17 R
LEMFÖRDER	60.40010.0
LIFT-TEK	LT PG17 R
MAGNETI MARELLI	AC130
SPJ	212-01
TRICLO	118300
VALEO	850315

O.E.M.:
PSA 922276, 9222F2

REF. 1830.0030018



106
96->



AC ROLCAR	A1.4411
DOGA	100531
ELECTRIC LIFE	ZR PG18 L
LEMFÖRDER	60.40037.0
LIFT-TEK	LT PG18 L
MAGNETI MARELLI	AC131
TRICLO	118303
VALEO	850316

O.E.M.:
CITROËN/PEUGEOT 9221F5

REF. 1830.0030401



Motor incluido | Motor included | Moteur inclus
Eléctrico | Electric | Electrique

AC ROLCAR	A1.4410
DOGA	100532
ELECTRIC LIFE	ZR PG18 R
LEMFÖRDER	60.40036.0
LIFT-TEK	LT PG18 R
MAGNETI MARELLI	AC132
TRICLO	118302
VALEO	850317

O.E.M.:
CITROËN/PEUGEOT 9222F3

REF. 1830.0030402



MODELO

206
98->



Motor incluido | Motor included | Moteur inclus
Eléctrico | Electric | Electrique

CRUCES / O.E.M.

AC ROLCAR	01.4435
DOGA	100543
ELECTRIC LIFE	ZR PG30 L
LEMFÖRDER	60.40141.0
LIFT-TEK	LT PG30 L
MAGNETI MARELLI	AC171
TRICLO	118251
VALEO	850326

O.E.M.:
PEUGEOT 9221E9, 9221G0

REF. / PUERTA

REF. 1830.0030481



AC ROLCAR	01.4434
DOGA	100544
ELECTRIC LIFE	ZR PG30 R
LEMFÖRDER	60.40140.0
LIFT-TEK	LT PG30 R
MAGNETI MARELLI	AC172
TRICLO	118250
VALEO	850327

O.E.M.:
PEUGEOT 9222E8, 9222F8

REF. 1830.0030482



207
06->



Para vehículos con motor OEM electrónico (con función confort de origen).
For vehicles with electronic OEM motor (confort function).
Pour véhicules avec moteur OEM électronique (fonction confort).
Sólo parte mecánica | Mechanism only | Seulement mécanisme
Eléctrico | Electric | Electrique

AC ROLCAR	01.7635
DOGA	100553
ELECTRIC LIFE	ZR PG701 L
LEMFÖRDER	60.80539.0
LIFT-TEK	LT PG701 L
MAGNETI MARELLI	AC797
TRICLO	118459
VALEO	850692

O.E.M.:
PEUGEOT 9221X1, 9221FT

REF. 1830.0030319



AC ROLCAR	01.7634
DOGA	100554
ELECTRIC LIFE	ZR PG701 R
LEMFÖRDER	60.80538.0
LIFT-TEK	LT PG701 R
VALEO	850693

O.E.M.:
PEUGEOT 9222FS, 9222W9

REF. 1830.0030320



MODELO

CRUCES / O.E.M.

REF. / PUERTA

306
03/93->



AC ROLCAR	A1.4413
DOGA	100535
ELECTRIC LIFE	ZR PG22 L
LEMFÖRDER	60.40035.0
LIFT-TEK	LT PG22 L
MAGNETI MARELLI	AC133
TRICLO	118305
VALEO	850322

O.E.M.:
PEUGEOT 922186, 9221C4,
9221K8

REF. 1830.0030403



DOGA	100536
ELECTRIC LIFE	ZR PG22 R
LEMFÖRDER	60.40034.0
LIFT-TEK	LT PG22 R
MAGNETI MARELLI	AC134
TRICLO	118304
VALEO	850323

O.E.M.:
PEUGEOT 9221C3, 922285,
9222K6

REF. 1830.0030404



Motor incluido | Motor included | Moteur inclus
Eléctrico | Electric | Electrique

306 HATCHBACK, FAMILIAR
03/93->



AC ROLCAR	A1.4415
DOGA	100015
ELECTRIC LIFE	ZR PG19 L
LEMFÖRDER	60.40023.0
LIFT-TEK	LT PG19 L
MAGNETI MARELLI	AC135
SPJ	224-04
TRICLO	118307
VALEO	850318

O.E.M.:
PEUGEOT 922184, 9221C2,
9221J1, 9221K9

REF. 1830.0030159



AC ROLCAR	A1.4414
DOGA	100016
ELECTRIC LIFE	ZR PG19 R
LEMFÖRDER	60.40022.0
LIFT-TEK	LT PG19 R
MAGNETI MARELLI	AC136
SPJ	224-03
TRICLO	118306
VALEO	850319

O.E.M.:
PEUGEOT 9221C1, 922283,
9222H9, 9222K7

REF. 1830.0030160



Motor incluido | Motor included | Moteur inclus
Eléctrico | Electric | Electrique

MODELO

CRUCES / O.E.M.

REF. / PUERTA

306
93->



AC ROLCAR	01.4421
DOGA	100533
ELECTRIC LIFE	ZR PG20 L
LEMFÖRDER	60.40025.0
LIFT-TEK	LT PG20 L
MAGNETI MARELLI	AC1211
SPJ	224-06
TRICLO	118309

REF. 1830.0030349



O.E.M.:
PEUGEOT 922328 (>1996),
922371 (1997>)

AC ROLCAR	01.4420
DOGA	100534
ELECTRIC LIFE	ZR PG20 R
LEMFÖRDER	60.40024.0
LIFT-TEK	LT PG20 R
MAGNETI MARELLI	AC1212
SPJ	224-05
TRICLO	118308

REF. 1830.0030350



O.E.M.:
PEUGEOT 922428 (>1996),
922474 (1997>)

Motor incluido | Motor included | Moteur inclus
Eléctrico | Electric | Electrique

307
00->



AC ROLCAR	01.4449
DOGA	100923
LEMFÖRDER	60.80171.0
MAGNETI MARELLI	AC627
SPJ	225-22

REF. 1830.0030327



O.E.M.:
PEUGEOT 9637139480,
9221K1

AC ROLCAR	01.4448
DOGA	100924
LEMFÖRDER	60.80170.0
MAGNETI MARELLI	AC628
SPJ	225-21

REF. 1830.0030328



Sólo parte mecánica | Mechanism only | Seulement mécanisme
Eléctrico | Electric | Electrique

O.E.M.:
PEUGEOT 9637139380,
9222K0

MODELO

307 CC
09/02->



Para vehículos con motor OEM electrónico (con función confort de origen).
For vehicles with electronic OEM motor (confort function).
Pour véhicules avec moteur OEM électronique (fonction confort).
Sólo parte mecánica | Mechanism only | Seulement mécanisme
Eléctrico | Electric | Electrique

CRUCES / O.E.M.

AC ROLCAR	01.4473
DOGA	101255
ELECTRIC LIFE	ZR PG704 L
LEMFÖRDER	60.80721.0
LIFT-TEK	LT PG704 L
MAGNETI MARELLI	AC1217
TRICLO	118537
VALEO	850842

O.E.M.:
PEUGEOT 9221W0

REF. / PUERTA

REF. 1830.0030253



AC ROLCAR	01.4472
DOGA	101256
ELECTRIC LIFE	ZR PG704 R
LEMFÖRDER	60.80722.0
LIFT-TEK	LT PG704 R
MAGNETI MARELLI	AC1218
TRICLO	118536
VALEO	850843

O.E.M.:
PEUGEOT 9222V9

REF. 1830.0030254



307 HATCHBACK, COMERCIAL
09/02->



Para vehículos con motor OEM electrónico (con función confort de origen).
For vehicles with electronic OEM motor (confort function).
Pour véhicules avec moteur OEM électronique (fonction confort).
Sólo parte mecánica | Mechanism only | Seulement mécanisme
Eléctrico | Electric | Electrique

DOGA	101371
ELECTRIC LIFE	ZR PG709 L
LEMFÖRDER	60.80171.0
LIFT-TEK	LT PG709 L
MAGNETI MARELLI	AC627
SPJ	225-22
VALEO	850990

O.E.M.:
PEUGEOT 9637139480

REF. 1830.0030063



DOGA	101372
ELECTRIC LIFE	ZR PG709 R
LEMFÖRDER	60.80170.0
LIFT-TEK	LT PG709 R
MAGNETI MARELLI	AC628
SPJ	225-21
VALEO	850991

O.E.M.:
PEUGEOT 9637139380

REF. 1830.0030064



MODELO

CRUCES / O.E.M.

REF. / PUERTA

307 HATCHBACK, FAMILIAR

09/02->



AC ROLCAR	01.4451
DOGA	100925
LEMFÖRDER	60.80173.0
SPJ	225-24
TRICLO	118035

O.E.M.:
PEUGEOT 9221K0,
9634456980

REF. 1830.0030035



AC ROLCAR	01.4450
DOGA	100926
LEMFÖRDER	60.80172.0
SPJ	225-23
TRICLO	118034

O.E.M.:
PEUGEOT 9222J9,
9634456880

REF. 1830.0030036



Sólo parte mecánica | Mechanism only | Seulement mécanisme
Eléctrico | Electric | Electrique

307 SW

01->



AC ROLCAR	01.4451
DOGA	101373
ELECTRIC LIFE	ZR PG710 L
LEMFÖRDER	60.80173.0
LIFT-TEK	LT PG710 L
MAGNETI MARELLI	AC629
VALEO	850992

O.E.M.:
PEUGEOT 9634456980,
9221K0

REF. 1830.0030339



AC ROLCAR	01.4450
DOGA	101374
ELECTRIC LIFE	ZR PG710 R
LEMFÖRDER	60.80172.0
LIFT-TEK	LT PG710 R
MAGNETI MARELLI	AC630
VALEO	850993

O.E.M.:
PEUGEOT 9634456880,
9222J9

REF. 1830.0030340



Para vehículos con motor OEM electrónico (con función confort de origen).
For vehicles with electronic OEM motor (confort function).
Pour véhicules avec moteur OEM électronique (fonction confort).
Sólo parte mecánica | Mechanism only | Seulement mécanisme
Eléctrico | Electric | Electrique

MODELO

CRUCES / O.E.M.

REF. / PUERTA

405
02/92->



AC ROLCAR	01.4405
DOGA	100525
ELECTRIC LIFE	ZR PG08 L B
LEMFÖRDER	60.40039.0
LIFT-TEK	LT PG08 L B
MAGNETI MARELLI	AC137
SPJ	226-04
TRICLO	118333
VALEO	850312

O.E.M.:
PEUGEOT 922163, 922167,
922180

REF. 1830.0030015



AC ROLCAR	01.4404
DOGA	100526
ELECTRIC LIFE	ZR PG08 R B
LEMFÖRDER	60.40038.0
LIFT-TEK	LT PG08 R B
SPJ	226-03
TRICLO	118332
VALEO	850313

O.E.M.:
PEUGEOT 922263, 922267,
922279

REF. 1830.0030016



Motor incluido | Motor included | Moteur inclus
Eléctrico | Electric | Electrique

406
11/95->06/99



AC ROLCAR	01.4477
DOGA	100953
ELECTRIC LIFE	ZR PG708 L
LEMFÖRDER	60.80729.0
LIFT-TEK	LT PG708 L
TRICLO	118278
VALEO	850864

O.E.M.:
PEUGEOT 9221F0

REF. 1830.0030037



AC ROLCAR	01.4476
DOGA	100954
ELECTRIC LIFE	ZR PG708 R
LEMFÖRDER	60.80730.0
LIFT-TEK	LT PG708 R
TRICLO	118556
VALEO	850865

O.E.M.:
PEUGEOT 9222E9

REF. 1830.0030038



Para vehículos con motor OEM electrónico (con función confort de origen).
For vehicles with electronic OEM motor (confort function).
Pour véhicules avec moteur OEM électronique (fonction confort).
Sólo parte mecánica | Mechanism only | Seulement mécanisme
Eléctrico | Electric | Electrique

MODELO

CRUCES / O.E.M.

REF. / PUERTA

406
07/99->04



AC ROLCAR	01.4483
DOGA	101062
ELECTRIC LIFE	ZR PG705 L
LEMFÖRDER	60.80723.0
LIFT-TEK	LT PG705 L
TRICLO	118557
VALEO	850848

REF. 1830.0030057



O.E.M.:
PEUGEOT 9221F6, 9221K7

AC ROLCAR	01.4482
DOGA	101063
ELECTRIC LIFE	ZR PG705 R
LEMFÖRDER	60.80722.0
LIFT-TEK	LT PG705 R
TRICLO	118556
VALEO	850849

REF. 1830.0030058



O.E.M.:
PEUGEOT 9222F4, 9222K5

Para vehículos con motor OEM electrónico (con función confort de origen).
For vehicles with electronic OEM motor (confort function).
Pour véhicules avec moteur OEM électronique (fonction confort).
Sólo parte mecánica | Mechanism only | Seulement mécanisme
Eléctrico | Electric | Electrique

407 BERLINA, SW
05/04->



AC ROLCAR	01.4463
DOGA	100555
ELECTRIC LIFE	ZR PG702 L
LEMFÖRDER	60.80717.0
LIFT-TEK	LT PG702 L
MAGNETI MARELLI	AC761
SPJ	232-24
TRICLO	118465
VALEO	850778

REF. 1830.0030183



O.E.M.:
PEUGEOT 9221Q6

AC ROLCAR	01.4462
DOGA	100556
ELECTRIC LIFE	ZR PG702 R
LEMFÖRDER	60.80718.0
LIFT-TEK	LT PG702 R
MAGNETI MARELLI	AC762
SPJ	232-23
TRICLO	118464
VALEO	850779

REF. 1830.0030184

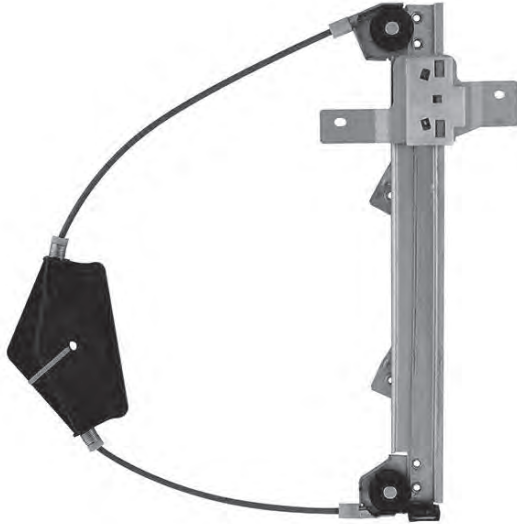


Para vehículos con motor OEM electrónico (con función confort de origen).
For vehicles with electronic OEM motor (confort function).
Pour véhicules avec moteur OEM électronique (fonction confort).
Sólo parte mecánica | Mechanism only | Seulement mécanisme
Eléctrico | Electric | Electrique

O.E.M.:
PEUGEOT 9222Q4

MODELO

407 BERLINA, SW
05/04->



Para vehículos con motor OEM electrónico (con función confort de origen).
For vehicles with electronic OEM motor (confort function).
Pour véhicules avec moteur OEM électronique (fonction confort).
Sólo parte mecánica | Mechanism only | Seulement mécanisme
Eléctrico | Electric | Electrique

CRUCES / O.E.M.

AC ROLCAR	01.4465
DOGA	100557
ELECTRIC LIFE	ZR PG703 L
LIFT-TEK	LT PG703 L
MAGNETI MARELLI	AC763
SPJ	232-26
TRICLO	118467
VALEO	850780

O.E.M.:
PEUGEOT 922385

REF. / PUERTA

REF. 1830.0030185



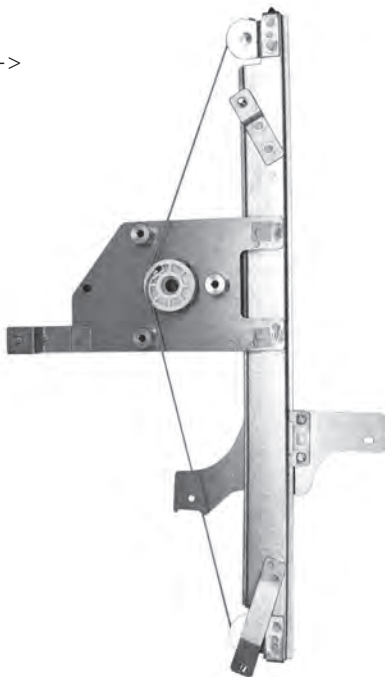
AC ROLCAR	01.4464
DOGA	100558
ELECTRIC LIFE	ZR PG703 R
LIFT-TEK	LT PG703 R
MAGNETI MARELLI	AC764
SPJ	232-25
TRICLO	118466
VALEO	850781

O.E.M.:
PEUGEOT 922491

REF. 1830.0030186



508
12/10->



Para vehículos con motor OEM electrónico (con función confort de origen).
For vehicles with electronic OEM motor (confort function).
Pour véhicules avec moteur OEM électronique (fonction confort).
Sólo parte mecánica | Mechanism only | Seulement mécanisme
Eléctrico | Electric | Electrique

AC ROLCAR	01.7651
DOGA	101709
ELECTRIC LIFE	ZR PG713 L
LEMFÖRDER	60.81691.0
LIFT-TEK	LT PG713 L
MAGNETI MARELLI	AC1346
TRICLO	111843
VALEO	851452

O.E.M.:
PEUGEOT 9221GY

REF. 1830.0030423



AC ROLCAR	01.7650
DOGA	101710
ELECTRIC LIFE	ZR PG713 R
LEMFÖRDER	60.81690.0
LIFT-TEK	LT PG713 R
MAGNETI MARELLI	AC1347
TRICLO	111842
VALEO	851453

O.E.M.:
PEUGEOT 9222GV

REF. 1830.0030424



MODELO

806
95->



Motor incluido | Motor included | Moteur inclus
Eléctrico | Electric | Electrique

CRUCES / O.E.M.

AC ROLCAR	A1.1751
DOGA	100837
ELECTRIC LIFE	ZR ZA24 L
LEMFÖRDER	64.40001.0
LIFT-TEK	LT ZA24 L
MAGNETI MARELLI	AC071
TRICLO	111153
VALEO	850488

O.E.M.:
CITROËN / FIAT 9221H5,
922191HS

REF. / PUERTA

REF. 1830.0030411



AC ROLCAR	A1.1750
DOGA	100838
ELECTRIC LIFE	ZR ZA24 R
LEMFÖRDER	64.40000.0
LIFT-TEK	LT ZA24 R
MAGNETI MARELLI	AC072
TRICLO	111152
VALEO	850489

O.E.M.:
CITROËN / FIAT 922290FS,
9222F5, 9222H3

REF. 1830.0030412



BIPPER
08->



Para vehículos con motor OEM electrónico (con función confort de origen).
For vehicles with electronic OEM motor (confort function).
Pour véhicules avec moteur OEM électronique (fonction confort).
Sólo parte mecánica | Mechanism only | Seulement mécanisme
Eléctrico | Electric | Electrique

AC ROLCAR	01.0505
DOGA	101029
ELECTRIC LIFE	ZR ZA704 L
LEMFÖRDER	60.80805.0
LIFT-TEK	LT ZA704 L
MAGNETI MARELLI	AC735
SPJ	572-22
TRICLO	111315
VALEO	850726

O.E.M.:
CITROËN 9221EP

REF. 1830.0030329



AC ROLCAR	01.0504
DOGA	101030
ELECTRIC LIFE	ZR ZA704 R
LEMFÖRDER	60.80806.0
LIFT-TEK	LT ZA704 R
MAGNETI MARELLI	AC736
SPJ	572-21
TRICLO	111314
VALEO	850727

O.E.M.:
CITROËN 9222EN

REF. 1830.0030330



MODELO

CRUCES / O.E.M.

REF. / PUERTA

BOXER

94->



AC ROLCAR	01.2507
DOGA	100833
ELECTRIC LIFE	ZR ZA21 L B
LEMFÖRDER	64.70089.0
LIFT-TEK	LT ZA21 L B
MAGNETI MARELLI	AC086
TRICLO	113921
VALEO	850484

O.E.M.:

FIAT / PEUGEOT 1313852080, 1322758080, 1341396080

REF. 1830.0030451



AC ROLCAR	01.2506
DOGA	100834
ELECTRIC LIFE	ZR ZA21 R B
LEMFÖRDER	64.70088.0
LIFT-TEK	LT ZA21 R B
MAGNETI MARELLI	AC087
TRICLO	113920
VALEO	850485

O.E.M.:

FIAT / PEUGEOT 1313851080, 1322757080, 1341395080

REF. 1830.0030452



Motor incluido | Motor included | Moteur inclus
Eléctrico | Electric | Electrique

BOXER

07/06->



AC ROLCAR	01.2515
DOGA	100853
ELECTRIC LIFE	ZR ZA702 L
LEMFÖRDER	64.80497.0
LIFT-TEK	LT ZA702 L
MAGNETI MARELLI	AC1053
SPJ	566-22
TRICLO	111355
VALEO	850686

O.E.M.:

FIAT 1368922080, 1340453080
PSA 1607706980, 9221X7

REF. 1830.0030033



AC ROLCAR	01.2514
DOGA	100854
ELECTRIC LIFE	ZR ZA702 R
LEMFÖRDER	64.80496.0
LIFT-TEK	LT ZA702 R
MAGNETI MARELLI	AC1054
SPJ	566-21
TRICLO	111354
VALEO	850687

O.E.M.:

FIAT 1340398080, 1368042080
PSA 1607707180, 9222X6

REF. 1830.0030034



Para vehículos con motor OEM electrónico (con función confort de origen).
For vehicles with electronic OEM motor (confort function).
Pour véhicules avec moteur OEM électronique (fonction confort).
Sólo parte mecánica | Mechanism only | Seulement mécanisme
Eléctrico | Electric | Electrique

MODELO

EXPERT

95->



Motor incluido | Motor included | Moteur inclus
Eléctrico | Electric | Electrique

EXPERT

01/07->



Para vehículos con motor OEM electrónico (con función confort de origen).
For vehicles with electronic OEM motor (confort function).
Pour véhicules avec moteur OEM électronique (fonction confort).
Sólo parte mecánica | Mechanism only | Seulement mécanisme
Eléctrico | Electric | Electrique

CRUCES / O.E.M.

AC ROLCAR	A1.1751
DOGA	100837
ELECTRIC LIFE	ZR ZA24 L
LEMFÖRDER	64.40001.0
LIFT-TEK	LT ZA24 L
MAGNETI MARELLI	AC071
TRICLO	111153
VALEO	850488

O.E.M.:
CITROËN / FIAT 9221H5,
922191HS

AC ROLCAR	A1.1750
DOGA	100838
ELECTRIC LIFE	ZR ZA24 R
LEMFÖRDER	64.40000.0
LIFT-TEK	LT ZA24 R
MAGNETI MARELLI	AC072
TRICLO	111152
VALEO	850489

O.E.M.:
CITROËN / FIAT 922290FS,
9222F5, 9222H3

AC ROLCAR	01.1755
DOGA	100855
ELECTRIC LIFE	ZR ZA703 L
LEMFÖRDER	64.80803.0
LIFT-TEK	LT ZA703 L
MAGNETI MARELLI	AC731
TRICLO	114057
VALEO	850724

O.E.M.:
FIAT, PEUGEOT 922176

AC ROLCAR	01.1754
DOGA	100856
ELECTRIC LIFE	ZR ZA703 R
LEMFÖRDER	64.80804.0
LIFT-TEK	LT ZA703 R
MAGNETI MARELLI	AC732
TRICLO	114056
VALEO	850725

O.E.M.:
FIAT, PEUGEOT 922275

REF. / PUERTA

REF. 1830.0030411



REF. 1830.0030412



REF. 1830.0030285



REF. 1830.0030286



MODELO

CRUCES / O.E.M.

REF. / PUERTA

PARTNER

07/96->



AC ROLCAR	03.4135
DOGA	110009
ELECTRIC LIFE	ZR ZA931 L
LEMFÖRDER	60.80455.0
LIFT-TEK	LT ZA931 L
MAGNETI MARELLI	AC1511

O.E.M.:
CITROËN 9221A4

REF. 1830.30425MA



AC ROLCAR	03.4134
DOGA	110010
ELECTRIC LIFE	ZR ZA931 R
LEMFÖRDER	60.80454.0
LIFT-TEK	LT ZA931 R
MAGNETI MARELLI	AC1512

O.E.M.:
CITROËN 9222A4

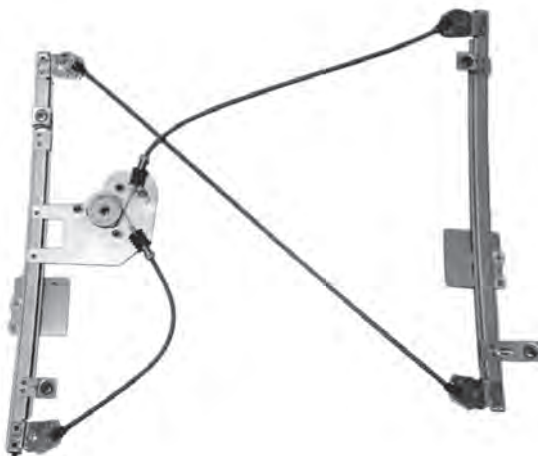
REF. 1830.30426MA



Sólo parte mecánica | Mechanism only | Seulement mécanisme
Manual | Manually | Manuel

PARTNER

96->08



AC ROLCAR	01.2435
DOGA	101741
ELECTRIC LIFE	ZR CT726 L
LEMFÖRDER	60.80455.0
LIFT-TEK	LT CT726 L
MAGNETI MARELLI	AC1511
TRICLO	111751

O.E.M.:
CITROËN/PEUGEOT 9221G3,
9221A4

REF. 1830.0030507



AC ROLCAR	01.2434
DOGA	101742
ELECTRIC LIFE	ZR CT726 R
LEMFÖRDER	60.80454.0
LIFT-TEK	LT CT726 R
MAGNETI MARELLI	AC1512
TRICLO	111750

O.E.M.:
CITROËN/PEUGEOT 9222G1,
9222A4

REF. 1830.0030508

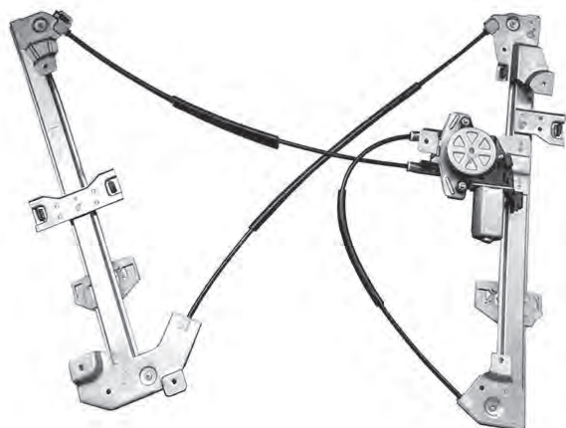


Sólo parte mecánica | Mechanism only | Seulement mécanisme
Eléctrico | Electric | Electrique

MODELO

PARTNER

02/95->



Motor incluido | Motor included | Moteur inclus
Eléctrico | Electric | Electrique

CRUCES / O.E.M.

AC ROLCAR	01.4135
DOGA	100007
ELECTRIC LIFE	ZR CT22 L
LEMFÖRDER	60.50053.0
LIFT-TEK	LT CT22 L
MAGNETI MARELLI	AC121
SPJ	202-02
TRICLO	111145
VALEO	850062

O.E.M.:
PSA 9221ES, 9221G3

AC ROLCAR	01.4134
DOGA	100008
ELECTRIC LIFE	ZR CT22 R
LEMFÖRDER	60.50052.0
LIFT-TEK	LT CT22 R
MAGNETI MARELLI	AC122
SPJ	202-01
TRICLO	111144
VALEO	850063

O.E.M.:
PSA 9222EQ, 9222G1

REF. / PUERTA

REF. 1830.0030135



REF. 1830.0030136



MODELO

CLIO

03/98->09/05



Motor incluido | Motor included | Moteur inclus
Eléctrico | Electric | Electrique

CRUCES / O.E.M.

AC ROLCAR	01.4545
DOGA	100021
ELECTRIC LIFE	ZR RN48 L
LEMFÖRDER	60.09071.0
LIFT-TEK	LT RN48 L
MAGNETI MARELLI	AC263
SPJ	241-02
TRICLO	115483
VALEO	850358

O.E.M.:
RENAULT 7700842247

REF. / PUERTA

REF. 1830.0030149



AC ROLCAR	01.4544
DOGA	100022
ELECTRIC LIFE	ZR RN48 R
LEMFÖRDER	60.09070.0
LIFT-TEK	LT RN48 R
MAGNETI MARELLI	AC264
SPJ	241-01
TRICLO	115482
VALEO	850359

O.E.M.:
RENAULT 7700842246

REF. 1830.0030150



CLIO

03/98->09/05



Motor incluido | Motor included | Moteur inclus
Eléctrico | Electric | Electrique

AC ROLCAR	01.4547
DOGA	100591
ELECTRIC LIFE	ZR RN49 L
LEMFÖRDER	60.09073.0
LIFT-TEK	LT RN49 L
MAGNETI MARELLI	AC265
SPJ	241-04
TRICLO	115485
VALEO	850360

O.E.M.:
RENAULT 7700842241

REF. 1830.0030191



AC ROLCAR	01.4546
DOGA	100592
ELECTRIC LIFE	ZR RN49 R
LEMFÖRDER	60.09072.0
LIFT-TEK	LT RN49 R
MAGNETI MARELLI	AC266
SPJ	241-03
TRICLO	115484
VALEO	850361

O.E.M.:
RENAULT 7700842240

REF. 1830.0030192



MODELO

CRUCES / O.E.M.

REF. / PUERTA

CLIO

10/05->09/12



AC ROLCAR	01.3809
DOGA	100637
ELECTRIC LIFE	ZR RN708 L
LEMFÖRDER	60.80739.0
LIFT-TEK	LT RN708 L
MAGNETI MARELLI	AC769
TRICLO	115591
VALEO	850788

O.E.M.:
RENAULT 8200826169

REF. 1830.0030207



AC ROLCAR	01.3808
DOGA	100638
ELECTRIC LIFE	ZR RN708 R
LEMFÖRDER	60.80740.0
LIFT-TEK	LT RN708 R
MAGNETI MARELLI	AC770
TRICLO	115590
VALEO	850789

O.E.M.:
RENAULT 8200826173

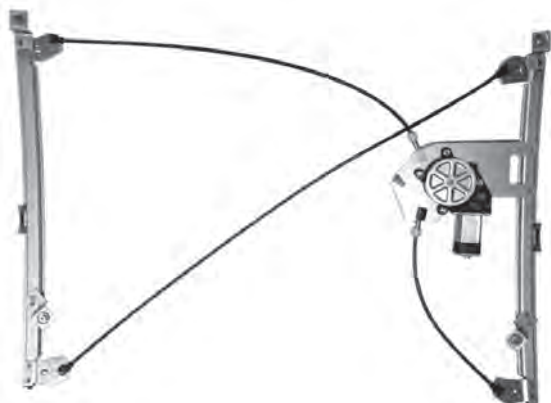
REF. 1830.0030208



Para vehículos con motor OEM electrónico (con función confort de origen).
For vehicles with electronic OEM motor (confort function).
Pour véhicules avec moteur OEM électronique (fonction confort).
Sólo parte mecánica | Mechanism only | Seulement mécanisme
Eléctrico | Electric | Electrique

CLIO

10/05->



AC ROLCAR	01.3805
DOGA	100623
ELECTRIC LIFE	ZR RN70 L
LEMFÖRDER	60.80743.0
LIFT-TEK	LT RN70 L
MAGNETI MARELLI	AC767
TRICLO	115619
VALEO	850786

O.E.M.:
RENAULT 8200297443

REF. 1830.0030483



AC ROLCAR	01.3804
DOGA	100624
ELECTRIC LIFE	ZR RN70 R
LEMFÖRDER	60.80744.0
LIFT-TEK	LT RN70 R
MAGNETI MARELLI	AC768
TRICLO	115618
VALEO	850787

O.E.M.:
RENAULT 8200297444

REF. 1830.0030484



Para motor OEM con dos conectores.
For OEM motor with two pins.
Pour moteur OEM avec deux prises.

Motor incluido | Motor included | Moteur inclus
Eléctrico | Electric | Electrique

MODELO

CRUCES / O.E.M.

REF. / PUERTA

CLIO

05->



AC ROLCAR	01.4495
DOGA	100641
ELECTRIC LIFE	ZR RN71 L
LEMFÖRDER	60.80745.0
LIFT-TEK	LT RN71 L
MAGNETI MARELLI	AC771
TRICLO	115625
VALEO	850790

O.E.M.:
RENAULT 8200291145

REF. 1830.0030323



Para motor OEM con dos conectores.
For OEM motor with two pins.
Pour moteur OEM avec deux prises.

Motor incluido | Motor included | Moteur inclus
Eléctrico | Electric | Electrique

AC ROLCAR	01.4494
DOGA	100642
ELECTRIC LIFE	ZR RN71 R
LEMFÖRDER	60.80746.0
LIFT-TEK	LT RN71 R
MAGNETI MARELLI	AC772
TRICLO	115624
VALEO	850791

O.E.M.:
RENAULT 8200291147

REF. 1830.0030324



ESPACE IV, GRAND ESPACE IV

09/02->



DOGA	101683
ELECTRIC LIFE	ZR RN717 L
LEMFÖRDER	60.81711.0
LIFT-TEK	LT RN717 L
MAGNETI MARELLI	AC1355
VALEO	851136

O.E.M.:
RENAULT 8200017893

REF. 1830.0030085



Para vehículos con motor OEM electrónico (con función confort de origen).
For vehicles with electronic OEM motor (confort function).
Pour véhicules avec moteur OEM électronique (fonction confort).

Sólo parte mecánica | Mechanism only | Seulement mécanisme
Eléctrico | Electric | Electrique

DOGA	101684
ELECTRIC LIFE	ZR RN717 R
LEMFÖRDER	60.81710.0
LIFT-TEK	LT RN717 R
MAGNETI MARELLI	AC1356
VALEO	851137

O.E.M.:
RENAULT 8200017894

REF. 1830.0030086



MODELO

CRUCES / O.E.M.

REF. / PUERTA

ESPACE IV, GRAND ESPACE IV

02->



AC ROLCAR	01.5533
DOGA	101685
ELECTRIC LIFE	ZR RN718 L
LEMFÖRDER	60.81713.0
LIFT-TEK	LT RN718 L
MAGNETI MARELLI	AC1357
VALEO	851138

O.E.M.:
RENAULT 8200017909

REF. 1830.0030347



AC ROLCAR	01.5532
DOGA	101686
ELECTRIC LIFE	ZR RN718 R
LEMFÖRDER	60.81712.0
LIFT-TEK	LT RN718 R
MAGNETI MARELLI	AC1358
VALEO	851139

O.E.M.:
RENAULT 8200017910

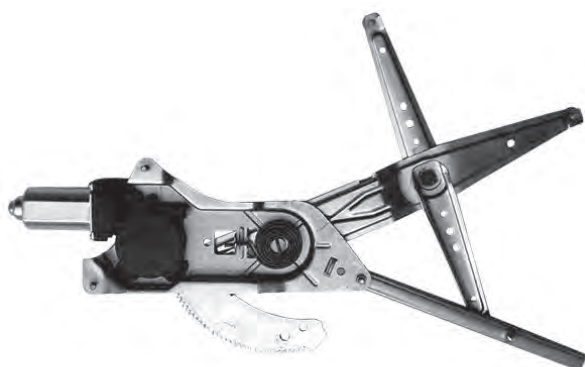
REF. 1830.0030348



Para vehículos con motor OEM electrónico (con función confort de origen).
For vehicles with electronic OEM motor (confort function).
Pour véhicules avec moteur OEM électronique (fonction confort).
Sólo parte mecánica | Mechanism only | Seulement mécanisme
Eléctrico | Electric | Electrique

KANGOO

98->08



AC ROLCAR	01.4549
DOGA	100589
ELECTRIC LIFE	ZR RN47 L
LEMFÖRDER	60.09079.0
LIFT-TEK	LT RN47 L
MAGNETI MARELLI	AC267
TRICLO	115562
VALEO	850356

O.E.M.:
RENAULT 7700303543

REF. 1830.0030189



AC ROLCAR	01.4548
DOGA	100590
ELECTRIC LIFE	ZR RN47 R
LEMFÖRDER	60.09078.0
LIFT-TEK	LT RN47 R
MAGNETI MARELLI	AC268
TRICLO	115563
VALEO	830357

O.E.M.:
RENAULT 7700303553

REF. 1830.0030190

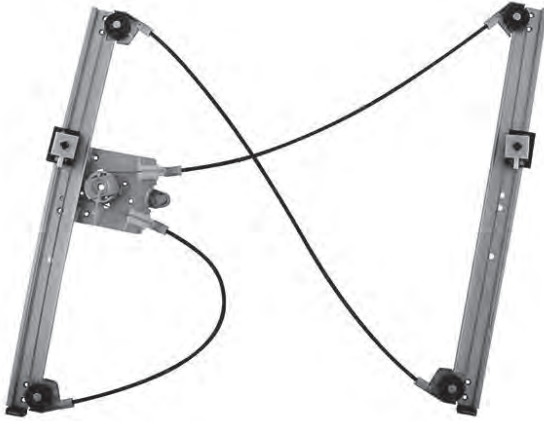


Motor incluido | Motor included | Moteur inclus
Eléctrico | Electric | Electrique

MODELO

LAGUNA II

03/01->09/07



Para vehículos con motor OEM electrónico (con función confort de origen).
For vehicles with electronic OEM motor (confort function).
Pour véhicules avec moteur OEM électronique (fonction confort).
Sólo parte mecánica | Mechanism only | Seulement mécanisme
Eléctrico | Electric | Electrique

CRUCES / O.E.M.

AC ROLCAR	01.4587
DOGA	100625
ELECTRIC LIFE	ZR RN701 L
LEMFÖRDER	60.80551.0
LIFT-TEK	LT RN701 L
MAGNETI MARELLI	AC479
SPJ	244-24
TRICLO	115595
VALEO	850594

O.E.M.:
RENAULT 8200000937

REF. / PUERTA

REF. 1830.0030201



AC ROLCAR	01.4586
DOGA	100626
ELECTRIC LIFE	ZR RN701 R
LEMFÖRDER	60.80550.0
LIFT-TEK	LT RN701 R
MAGNETI MARELLI	AC480
SPJ	244-23
TRICLO	115594
VALEO	850595

O.E.M.:
RENAULT 8200000938

REF. 1830.0030202



LAGUNA II

03/01->09/07



AC ROLCAR	01.4561
DOGA	100601
ELECTRIC LIFE	ZR RN57 L
LEMFÖRDER	60.80112.0
LIFT-TEK	LT RN57 L
MAGNETI MARELLI	AC723
TRICLO	115595
VALEO	850366

O.E.M.:
RENAULT 8200000937

REF. 1830.0030321



DOGA	100602
ELECTRIC LIFE	ZR RN57 R
LEMFÖRDER	60.80113.0
LIFT-TEK	LT RN57 R
TRICLO	115594
VALEO	850367

O.E.M.:
RENAULT 8200000938

REF. 1830.0030322

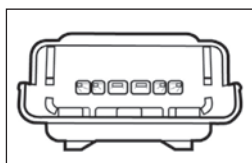
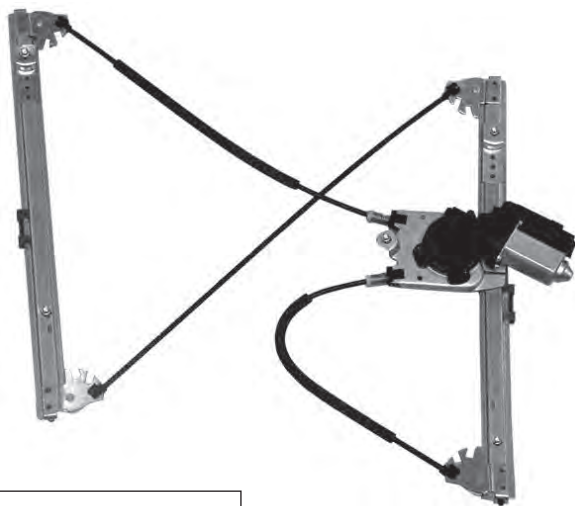


Motor incluido | Motor included | Moteur inclus
Eléctrico | Electric | Electrique

MODELO

LAGUNA II

03/01->09/07



CONFORT

Motor incluido | Motor included | Moteur inclus
Eléctrico | Electric | Electrique

CRUCES / O.E.M.

AC ROLCAR	01.4569
DOGA	100603
ELECTRIC LIFE	ZR RNO57 L C
LEMFÖRDER	60.80755.0
LIFT-TEK	LT RNO57 L C
MAGNETI MARELLI	AC723
SPJ	244-14
TRICLO	115571
VALEO	850366

O.E.M.:
RENAULT 8200000937

REF. / PUERTA

REF. 1830.0030195



AC ROLCAR	01.4568
DOGA	100604
ELECTRIC LIFE	ZR RNO57 R C
LEMFÖRDER	60.80756.0
LIFT-TEK	LT RNO57 R C
MAGNETI MARELLI	AC724
SPJ	244-13
TRICLO	115570
VALEO	850367

O.E.M.:
RENAULT 8200000938

REF. 1830.0030196



LAGUNA II

03/01->09/07



AC ROLCAR	01.4563
DOGA	100605
ELECTRIC LIFE	ZR RN95 L
LEMFÖRDER	60.80114.0
LIFT-TEK	LT RN95 L
SPJ	244-06
TRICLO	115569

O.E.M.:
RENAULT 8200000557,
8200008329

REF. 1830.0030197








AC ROLCAR	01.4562
DOGA	100606
ELECTRIC LIFE	ZR RN95 R
LEMFÖRDER	60.80115.0
LIFT-TEK	LT RN95 R
SPJ	244-05
TRICLO	115568

O.E.M.:
RENAULT 8200000558,
8200008330

REF. 1830.0030198



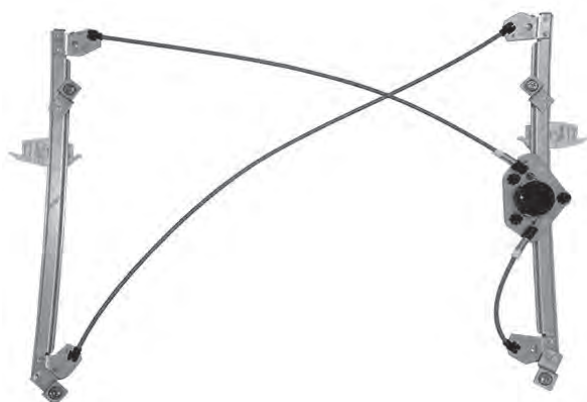
Motor incluido | Motor included | Moteur inclus
Eléctrico | Electric | Electrique

MODELO	CRUCES / O.E.M.	REF. / PUERTA												
<p>LAGUNA II 03/01->09/07</p>  <p>Para vehículos con motor OEM electrónico (con función confort de origen). For vehicles with electronic OEM motor (confort function). Pour véhicules avec moteur OEM électronique (fonction confort). <u>Sólo parte mecánica Mechanism only Seulement mécanisme</u> Eléctrico Electric Electrique</p>	<table border="1"> <tr><td>DOGA</td><td>101491</td></tr> <tr><td>ELECTRIC LIFE</td><td>ZR RN724 L</td></tr> <tr><td>LEMFÖRDER</td><td>60.81795.0</td></tr> <tr><td>LIFT-TEK</td><td>LT RN724 L</td></tr> </table> <hr/> <p>O.E.M.: RENAULT 8200305720</p>	DOGA	101491	ELECTRIC LIFE	ZR RN724 L	LEMFÖRDER	60.81795.0	LIFT-TEK	LT RN724 L	<p>REF. 1830.0030077</p> 				
DOGA	101491													
ELECTRIC LIFE	ZR RN724 L													
LEMFÖRDER	60.81795.0													
LIFT-TEK	LT RN724 L													
<p>MASTER II 98/06-></p>  <p>Motor incluido Motor included Moteur inclus Eléctrico Electric Electrique</p>	<table border="1"> <tr><td>AC ROLCAR</td><td>01.2509</td></tr> <tr><td>DOGA</td><td>100697</td></tr> <tr><td>ELECTRIC LIFE</td><td>ZR ZA29 L</td></tr> <tr><td>LIFT-TEK</td><td>LT ZA29 L</td></tr> <tr><td>MAGNETI MARELLI</td><td>AC341</td></tr> <tr><td>VALEO</td><td>850494</td></tr> </table> <hr/> <p>O.E.M.: IVECO 500314229, 504173868 OPEL 4500492 RENAULT 7700352494, 8200162708</p>	AC ROLCAR	01.2509	DOGA	100697	ELECTRIC LIFE	ZR ZA29 L	LIFT-TEK	LT ZA29 L	MAGNETI MARELLI	AC341	VALEO	850494	<p>REF. 1830.0040013</p> 
AC ROLCAR	01.2509													
DOGA	100697													
ELECTRIC LIFE	ZR ZA29 L													
LIFT-TEK	LT ZA29 L													
MAGNETI MARELLI	AC341													
VALEO	850494													
	<table border="1"> <tr><td>AC ROLCAR</td><td>01.2508</td></tr> <tr><td>DOGA</td><td>100698</td></tr> <tr><td>ELECTRIC LIFE</td><td>ZR ZA29 R</td></tr> <tr><td>LIFT-TEK</td><td>LT ZA29 R</td></tr> <tr><td>MAGNETI MARELLI</td><td>AC342</td></tr> <tr><td>VALEO</td><td>850495</td></tr> </table> <hr/> <p>O.E.M.: IVECO 500314230, 504173866 OPEL 4500493 RENAULT 7700352495, 8200162710</p>	AC ROLCAR	01.2508	DOGA	100698	ELECTRIC LIFE	ZR ZA29 R	LIFT-TEK	LT ZA29 R	MAGNETI MARELLI	AC342	VALEO	850495	<p>REF. 1830.0040014</p> 
AC ROLCAR	01.2508													
DOGA	100698													
ELECTRIC LIFE	ZR ZA29 R													
LIFT-TEK	LT ZA29 R													
MAGNETI MARELLI	AC342													
VALEO	850495													

MODELO

MÉGANE II

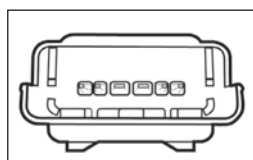
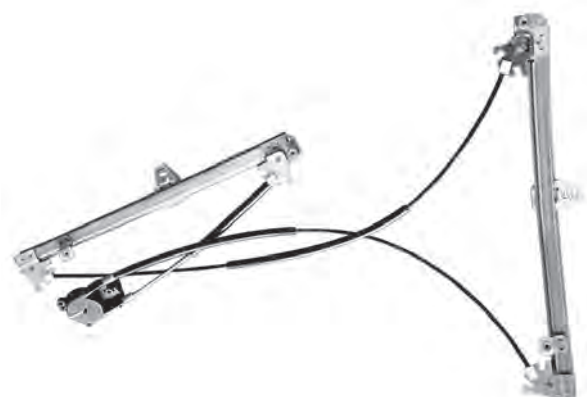
10/02->10/08



Para vehículos con motor OEM electrónico (con función confort de origen).
For vehicles with electronic OEM motor (confort function).
Pour véhicules avec moteur OEM électronique (fonction confort).
Sólo parte mecánica | Mechanism only | Seulement mécanisme
Eléctrico | Electric | Electrique

MÉGANE II

10/02->10/08



CONFORT

Motor incluido | Motor included | Moteur inclus
Eléctrico | Electric | Electrique

CRUCES / O.E.M.

AC ROLCAR	01.4589
DOGA	100767
ELECTRIC LIFE	ZR RN707 L
LEMFÖRDER	60.80553.0
LIFT-TEK	LT RN707 L
MAGNETI MARELLI	AC701
SPJ	249-22
TRICLO	115597
VALEO	850696

O.E.M.:
RENAULT 8200325138,
8201010929

AC ROLCAR	01.4588
DOGA	100768
ELECTRIC LIFE	ZR RN707 R
LEMFÖRDER	60.80552.0
LIFT-TEK	LT RN707 R
MAGNETI MARELLI	AC702
SPJ	249-21
TRICLO	115596
VALEO	850697

O.E.M.:
RENAULT 8200325137,
8201010927

DOGA	101086
ELECTRIC LIFE	ZR RNO81 L C
LEMFÖRDER	60.80361.0
LIFT-TEK	LT RNO81 L C
MAGNETI MARELLI	AC1055
SPJ	249-70
TRICLO	115631

O.E.M.:
RENAULT 8200325138

DOGA	101087
ELECTRIC LIFE	ZR RNO81 R C
LEMFÖRDER	60.80360.0
LIFT-TEK	LT RNO81 R C
MAGNETI MARELLI	AC1056
SPJ	249-69
TRICLO	115630

O.E.M.:
RENAULT 8200325137

REF. / PUERTA

REF. 1830.0030221



REF. 1830.0030222



REF. 1830.0030301

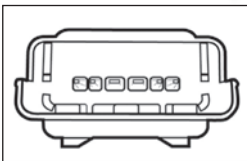


REF. 1830.0030302



MODELO

MÉGANE II
10/02->10/08



CONFORT

Motor incluido | Motor included | Moteur inclus
Eléctrico | Electric | Electrique

CRUCES / O.E.M.

DOGA	101082
ELECTRIC LIFE	ZR RNO82 L C
LIFT-TEK	LT RNO82 L C
MAGNETI MARELLI	AC1057
SPJ	249-44
TRICLO	115577

O.E.M.:
RENAULT 8200325136

REF. / PUERTA

REF. 1830.0030299



DOGA	101083
ELECTRIC LIFE	ZR RNO82 R C
LIFT-TEK	LT RNO82 R C
MAGNETI MARELLI	AC1058
SPJ	249-43
TRICLO	115576

O.E.M.:
RENAULT 8200325135

REF. 1830.0030300



MÉGANE BERLINA I
03/96->02/02



Motor incluido | Motor included | Moteur inclus
Eléctrico | Electric | Electrique

AC ROLCAR	A1.4537
DOGA	100003
ELECTRIC LIFE	ZR RN40 L
LEMFÖRDER	60.09085.0
LIFT-TEK	LT RN40 L
MAGNETI MARELLI	AC147
SPJ	248-04
TRICLO	115481
VALEO	850348

O.E.M.:
RENAULT 7700834347

REF. 1830.0030075



AC ROLCAR	A1.4536
DOGA	100004
ELECTRIC LIFE	ZR RN40 R
LEMFÖRDER	60.09084.0
LIFT-TEK	LT RN40 R
MAGNETI MARELLI	AC148
SPJ	248-03
TRICLO	115480
VALEO	850349

O.E.M.:
RENAULT 7700834346

REF. 1830.0030076



MODELO

MÉGANE BERLINA

96->



Motor incluido | Motor included | Moteur inclus
Eléctrico | Electric | Electrique

CRUCES / O.E.M.

AC ROLCAR	01.4539
DOGA	100585
ELECTRIC LIFE	ZR RN41 L
LEMFÖRDER	60.80067.0
LIFT-TEK	LT RN41 L
MAGNETI MARELLI	AC569
TRICLO	115557
VALEO	850350

O.E.M.:
RENAULT 7700834343

REF. / PUERTA

REF. 1830.0030405



AC ROLCAR	01.4538
DOGA	100586
ELECTRIC LIFE	ZR RN41 R
LEMFÖRDER	60.80066.0
LIFT-TEK	LT RN41 R
MAGNETI MARELLI	AC570
TRICLO	115556
VALEO	850351

O.E.M.:
RENAULT 7700834342

REF. 1830.0030406



MÉGANE BERLINA II, FAMILIAR (09/03->06/09)

10/02->10/08



Para vehículos con motor OEM electrónico (con función confort de origen).
For vehicles with electronic OEM motor (confort function).
Pour véhicules avec moteur OEM électronique (fonction confort).

Sólo parte mecánica | Mechanism only | Seulement mécanisme
Eléctrico | Electric | Electrique

AC ROLCAR	01.4591
DOGA	100765
ELECTRIC LIFE	ZR RN705 L
LEMFÖRDER	60.80555.0
LIFT-TEK	LT RN705 L
MAGNETI MARELLI	AC703
SPJ	249-24
TRICLO	115599
VALEO	850698

O.E.M.:
RENAULT 8200325136,
8201010926

REF. 1830.0030219



AC ROLCAR	01.4590
DOGA	100766
ELECTRIC LIFE	ZR RN705 R
LEMFÖRDER	60.80554.0
LIFT-TEK	LT RN705 R
MAGNETI MARELLI	AC704
SPJ	249-23
TRICLO	115598
VALEO	850699

O.E.M.:
RENAULT 8200325135,
8201010925

REF. 1830.0030220



MODELO

MÉGANE BERLINA II, FAMILIAR
(09/03->06/09)
10/02->10/08



Para motor OEM con dos conectores.
For OEM motor with two pins.
Pour moteur OEM avec deux prises.

Motor incluido | Motor included | Moteur inclus
Eléctrico | Electric | Electrique

CRUCES / O.E.M.

AC ROLCAR	01.4575
DOGA	100621
ELECTRIC LIFE	ZR RN69 L
LEMFÖRDER	60.80735.0
LIFT-TEK	LT RN69 L
MAGNETI MARELLI	AC781
TRICLO	115635
VALEO	850798

O.E.M.:
RENAULT 8200075940

REF. / PUERTA

REF. 1830.0030199



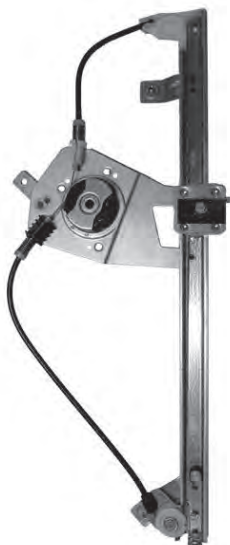
AC ROLCAR	01.4574
DOGA	100622
ELECTRIC LIFE	ZR RN69 R
LEMFÖRDER	60.80736.0
LIFT-TEK	LT RN69 R
MAGNETI MARELLI	AC782
TRICLO	115634
VALEO	850799

O.E.M.:
RENAULT 8200075938

REF. 1830.0030200



MÉGANE BERLINA II, FAMILIAR
(09/03->06/09)
10/02->10/08



Para vehículos con motor OEM electrónico (con función confort de origen).
For vehicles with electronic OEM motor (confort function).
Pour véhicules avec moteur OEM électronique (fonction confort).

Sólo parte mecánica | Mechanism only | Seulement mécanisme
Eléctrico | Electric | Electrique

AC ROLCAR	01.3819
DOGA	101068
ELECTRIC LIFE	ZR RN706 L
LEMFÖRDER	60.80737.0
LIFT-TEK	LT RN706 L
MAGNETI MARELLI	AC777
SPJ	249-16
TRICLO	115609
VALEO	850800

O.E.M.:
RENAULT 8200028070

REF. 1830.0030243



AC ROLCAR	01.3818
DOGA	101069
ELECTRIC LIFE	ZR RN706 R
LEMFÖRDER	60.80738.0
LIFT-TEK	LT RN706 R
MAGNETI MARELLI	AC778
SPJ	249-15
TRICLO	115608
VALEO	850801

O.E.M.:
RENAULT 8200028068

REF. 1830.0030244



MODELO

MÉGANE COUPÉ I

03/96->12/03



Motor incluido | Motor included | Moteur inclus
Eléctrico | Electric | Electrique

CRUCES / O.E.M.

AC ROLCAR	A1.4535
DOGA	100011
ELECTRIC LIFE	ZR RN39 L
LEMFÖRDER	60.09081.0
LIFT-TEK	LT RN39 L
MAGNETI MARELLI	AC145
SPJ	248-02
TRICLO	115479
VALEO	850346

O.E.M.:
RENAULT 7700834394,
8200038151

REF. / PUERTA

REF. 1830.0030087



AC ROLCAR	A1.4534
DOGA	100012
ELECTRIC LIFE	ZR RN39 R
LEMFÖRDER	60.09080.0
LIFT-TEK	LT RN39 R
MAGNETI MARELLI	AC146
SPJ	248-01
TRICLO	115478
VALEO	850347

O.E.M.:
RENAULT 7700834393,
8200038152

REF. 1830.0030088



MÉGANE SCÉNIC I

09/96->05/03



Motor incluido | Motor included | Moteur inclus
Eléctrico | Electric | Electrique

AC ROLCAR	A1.4541
DOGA	100009
ELECTRIC LIFE	ZR RN44 L
LEMFÖRDER	60.09067.0
LIFT-TEK	LT RN44 L
MAGNETI MARELLI	AC153
SPJ	260-04
TRICLO	115559
VALEO	850352

O.E.M.:
RENAULT 7700838592

REF. 1830.0030095



AC ROLCAR	A1.4540
DOGA	100010
ELECTRIC LIFE	ZR RN44 R
LEMFÖRDER	60.09066.0
LIFT-TEK	LT RN44 R
MAGNETI MARELLI	AC154
SPJ	260-03
TRICLO	115558
VALEO	850353

O.E.M.:
RENAULT 7700838591

REF. 1830.0030096



MODELO

MÉGANE SCÉNIC

00->03



Motor incluido | Motor included | Moteur inclus
Eléctrico | Electric | Electrique

CRUCES / O.E.M.

AC ROLCAR	01.4543
DOGA	100739
ELECTRIC LIFE	ZR RN61 L
LEMFÖRDER	60.80295.0
LIFT-TEK	LT RN61 L
MAGNETI MARELLI	AC573
VALEO	850370

O.E.M.:
RENAULT 7700437156,
8200044416

REF. / PUERTA

REF. 1830.0030409



AC ROLCAR	01.4542
DOGA	100740
ELECTRIC LIFE	ZR RN61 R
LEMFÖRDER	60.80294.0
LIFT-TEK	LT RN61 R
MAGNETI MARELLI	AC574
VALEO	850371

O.E.M.:
RENAULT 7700437155,
8200044417

REF. 1830.0030410



MÉGANE SCÉNIC II

06/03->06/09



Para vehículos con motor OEM electrónico (con función confort de origen).
For vehicles with electronic OEM motor (confort function).
Pour véhicules avec moteur OEM électronique (fonction confort).
Sólo parte mecánica | Mechanism only | Seulement mécanisme
Eléctrico | Electric | Electrique

DOGA	100629
ELECTRIC LIFE	ZR RN703 L
LEMFÖRDER	60.80439.0
LIFT-TEK	LT RN703 L
SPJ	270-24
VALEO	850608

O.E.M.:
RENAULT 8200118777,
8200478613

REF. 1830.0030269



DOGA	100630
ELECTRIC LIFE	ZR RN703 R
LEMFÖRDER	60.80438.0
LIFT-TEK	LT RN703 R
SPJ	270-23
VALEO	850609

O.E.M.:
RENAULT 8200478611,
8200118775

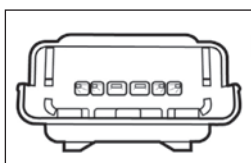
REF. 1830.0030270



MODELO

MÉGANE SCÉNIC

06/03->



CONFORT

Motor incluido | Motor included | Moteur inclus
Eléctrico | Electric | Electrique

CRUCES / O.E.M.

AC ROLCAR	01.4579
DOGA	100935
ELECTRIC LIFE	ZR RNO83 L C
LEMFÖRDER	60.81735.0
LIFT-TEK	LT RNO83 L C
MAGNETI MARELLI	AC721
TRICLO	115581
VALEO	850608

O.E.M.:
RENAULT 8200478613,
8200118777

REF. / PUERTA

REF. 1830.0030487



AC ROLCAR	01.4578
DOGA	100936
ELECTRIC LIFE	ZR RNO83 R C
LEMFÖRDER	60.81734.0
LIFT-TEK	LT RNO83 R C
MAGNETI MARELLI	AC722
TRICLO	115580
VALEO	850609

O.E.M.:
RENAULT 8200478611,
8200118775

REF. 1830.0030488



MÉGANE SCÉNIC II

06/03->06/09



AC ROLCAR	01.4595
DOGA	100631
ELECTRIC LIFE	ZR RN704 L
LEMFÖRDER	60.80557.0
LIFT-TEK	LT RN704 L
MAGNETI MARELLI	AC1061
SPJ	270-26
TRICLO	115603
VALEO	850662

O.E.M.:
RENAULT 8201010935,
8200118856

REF. 1830.0030205



AC ROLCAR	01.4594
DOGA	100632
ELECTRIC LIFE	ZR RN704 R
LEMFÖRDER	60.80556.0
LIFT-TEK	LT RN704 R
MAGNETI MARELLI	AC1062
SPJ	270-25
TRICLO	115602
VALEO	850663

O.E.M.:
RENAULT 8201010934,
8200118857

REF. 1830.0030206

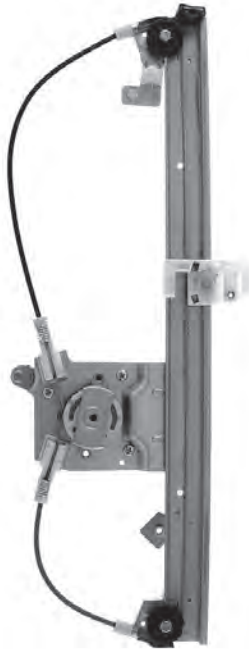


Para vehículos con motor OEM electrónico (con función confort de origen).
For vehicles with electronic OEM motor (confort function).
Pour véhicules avec moteur OEM électronique (fonction confort).
Sólo parte mecánica | Mechanism only | Seulement mécanisme
Eléctrico | Electric | Electrique

MODELO

MODUS

09/04->



Para motor OEM con dos conectores.
For OEM motor with two pins.
Pour moteur OEM avec deux prises.

Motor incluido | Motor included | Moteur inclus
Eléctrico | Electric | Electrique

CRUCES / O.E.M.

AC ROLCAR	01.3801
DOGA	100609
ELECTRIC LIFE	ZR RN62 L
LEMFÖRDER	60.80337.0
LIFT-TEK	LT RN62 L
TRICLO	115605
VALEO	850642

O.E.M.:
RENAULT 8200335242

REF. / PUERTA

REF. 1830.0030281



AC ROLCAR	01.3800
DOGA	100610
ELECTRIC LIFE	ZR RN62 R
LEMFÖRDER	60.80336.0
LIFT-TEK	LT RN62 R
MAGNETI MARELLI	AC514
SPJ	252-03
TRICLO	115628
VALEO	850643

O.E.M.:
RENAULT 8200277578

REF. 1830.0030282



MODUS

10/04->



Para vehículos con motor OEM electrónico (con función confort de origen).
For vehicles with electronic OEM motor (confort function).
Pour véhicules avec moteur OEM électronique (fonction confort).

Sólo parte mecánica | Mechanism only | Seulement mécanisme
Eléctrico | Electric | Electrique

AC ROLCAR	01.4597
DOGA	100627
ELECTRIC LIFE	ZR RN702 L
LEMFÖRDER	60.80335.0
LIFT-TEK	LT RN702 L
MAGNETI MARELLI	AC513
SPJ	252-24
TRICLO	115585
VALEO	850640

O.E.M.:
RENAULT 8200335242,
8200748377

REF. 1830.0030203



AC ROLCAR	01.4596
DOGA	100628
ELECTRIC LIFE	ZR RN702 R
LEMFÖRDER	60.80334.0
LIFT-TEK	LT RN702 R
SPJ	252-23
VALEO	850643

O.E.M.:
RENAULT 8200277578,
8200478298, 8200748375

REF. 1830.0030204



MODELO

CRUCES / O.E.M.

REF. / PUERTA

MODUS

10/04->



AC ROLCAR	01.3827
DOGA	101669
ELECTRIC LIFE	ZR RN723 L
LEMFÖRDER	60.81731.0
LIFT-TEK	LT RN723 L

O.E.M.:
RENAULT 8200219260,
 8200478303, 8200801330

REF. 1830.0030503



AC ROLCAR	01.3826
DOGA	101670
ELECTRIC LIFE	ZR RN723 R
LEMFÖRDER	60.81730.0
LIFT-TEK	LT RN723 R

O.E.M.:
RENAULT 8200219261,
 8200478302, 8200801329

REF. 1830.0030504



Sólo parte mecánica | Mechanism only | Seulement mécanisme
 Eléctrico | Electric | Electrique

TRAFIC

01->



AC ROLCAR	01.4557
DOGA	100847
ELECTRIC LIFE	ZR ZA32 L
LEMFÖRDER	64.80179.0
LIFT-TEK	LT ZA32 L
MAGNETI MARELLI	AC427
TRICLO	115555
VALEO	850498

O.E.M.:
OPEL 4408554, 91165704,
 7700311820

REF. 1830.0030413



AC ROLCAR	01.4556
DOGA	100848
ELECTRIC LIFE	ZR ZA32 R
LEMFÖRDER	64.80178.0
LIFT-TEK	LT ZA32 R
MAGNETI MARELLI	AC428
TRICLO	115554
VALEO	850499

O.E.M.:
OPEL 4408555, 91165705,
 7700311821

REF. 1830.0030414

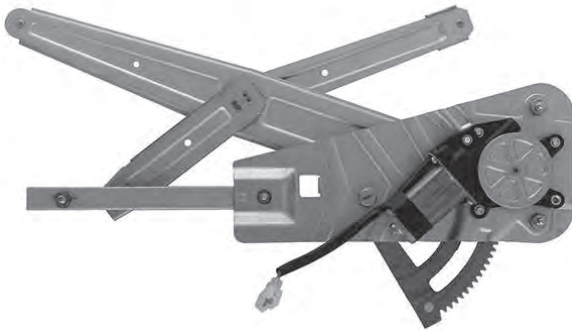


Motor incluido | Motor included | Moteur inclus
 Eléctrico | Electric | Electrique

MODELO

TWINGO

96->05/07



Motor incluido | Motor included | Moteur inclus
Eléctrico | Electric | Electrique

CRUCES / O.E.M.

AC ROLCAR	01.4525
DOGA	100595
ELECTRIC LIFE	ZR RN52 L
LEMFÖRDER	60.80271.0
LIFT-TEK	LT RN52 L
SPJ	268-02
VALEO	850362

O.E.M.:
RENAULT 8200051779

AC ROLCAR	01.4524
DOGA	100596
ELECTRIC LIFE	ZR RN52 R
LEMFÖRDER	60.80270.0
LIFT-TEK	LT RN52 R
SPJ	268-01
VALEO	850363

O.E.M.:
RENAULT 8200051780

REF. / PUERTA

REF. 1830.0030193



REF. 1830.0030194



MODELO

25, 200 (211, 214, 218, 220)

09/95->



Motor incluido | Motor included | Moteur inclus
Eléctrico | Electric | Electrique

CRUCES / O.E.M.

AC ROLCAR	01.3969
DOGA	100655
ELECTRIC LIFE	ZR RV19 L
LEMFÖRDER	60.20007.0
LIFT-TEK	LT RV19 L
MAGNETI MARELLI	AC197
TRICLO	111147
VALEO	850378

O.E.M.:
ROVER CUH101910

REF. / PUERTA

REF. 1830.0030209



AC ROLCAR	01.3968
DOGA	100656
ELECTRIC LIFE	ZR RV19 R
LEMFÖRDER	60.20006.0
LIFT-TEK	LT RV19 R
MAGNETI MARELLI	AC198
TRICLO	111146
VALEO	850379

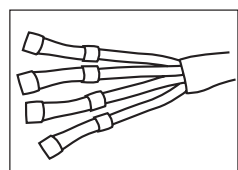
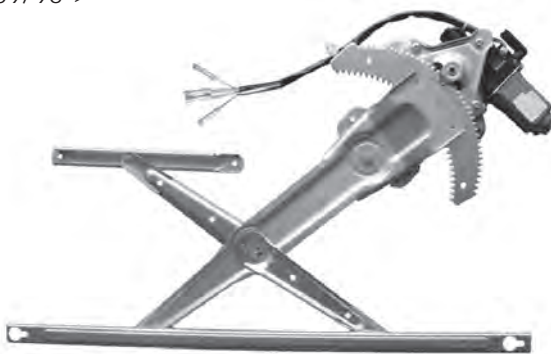
O.E.M.:
ROVER CUH101900

REF. 1830.0030210



400RT

09/95->



CONFORT

Para motor OEM con cuatro cables.
For OEM motor with four cables.
Pour moteur OEM avec quatre fils.

Motor incluido | Motor included | Moteur inclus
Eléctrico | Electric | Electrique

AC ROLCAR	01.3939
DOGA	100645
ELECTRIC LIFE	ZR RVO15 L C
LEMFÖRDER	60.80397.0
LIFT-TEK	LT RVO15 L C
MAGNETI MARELLI	AC447
TRICLO	111027
VALEO	850542

O.E.M.:
ROVER CUH102070SLP,
CUH102070

REF. 1830.0030441



DOGA	100646
ELECTRIC LIFE	ZR RVO15 R C
LEMFÖRDER	60.80396.0
LIFT-TEK	LT RVO15 R C
VALEO	850543

O.E.M.:
ROVER CUH102040

REF. 1830.0030442



MODELO

400RT
95->



Para motor OEM con dos conectores.
For OEM motor with two pins.
Pour moteur OEM avec deux prises.

Motor incluido | Motor included | Moteur inclus
Eléctrico | Electric | Electrique

CRUCES / O.E.M.

DOGA	100651
ELECTRIC LIFE	ZR RV15 L
LEMFÖRDER	60.20009.0
LIFT-TEK	LT RV15 L
TRICLO	111027
VALEO	850376

O.E.M.:
HONDA/ROVER CUH102050

DOGA	100652
ELECTRIC LIFE	ZR RV15 R
LEMFÖRDER	60.20008.0
LIFT-TEK	LT RV15 R
MAGNETI MARELLI	AC200
TRICLO	111026
VALEO	850377

O.E.M.:
**HONDA/ROVER CUH102460,
CUH102060**

REF. / PUERTA

REF. 1830.0030485



REF. 1830.0030486

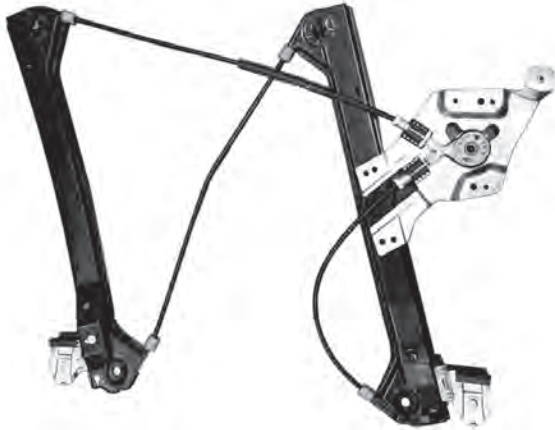


MODELO

CRUCES / O.E.M.

REF. / PUERTA

93
02->



DOGA	101439
ELECTRIC LIFE	ZR SB701 L
LIFT-TEK	LT SB701 L
MAGNETI MARELLI	AC1033
SPJ	739-22

O.E.M.:
SAAB 12755683, 12788911

REF. 1830.0030341



DOGA	101440
ELECTRIC LIFE	ZR SB701 R
LIFT-TEK	LT SB701 R
MAGNETI MARELLI	AC1034
SPJ	739-21

O.E.M.:
SAAB 12755684, 12788912

REF. 1830.0030342



Para vehículos con motor OEM electrónico (con función confort de origen).
For vehicles with electronic OEM motor (confort function).
Pour véhicules avec moteur OEM électronique (fonction confort).
Sólo parte mecánica | Mechanism only | Seulement mécanisme
Eléctrico | Electric | Electrique

93
10/02->



DOGA	101441
ELECTRIC LIFE	ZR SB17 L
LEMFÖRDER	60.80563.0
LIFT-TEK	LT SB17 L
MAGNETI MARELLI	AC1027

O.E.M.:
SAAB 12788913, 12793730

REF. 1830.0030463









DOGA	101442
ELECTRIC LIFE	ZR SB17 R
LEMFÖRDER	60.80562.0
LIFT-TEK	LT SB17 R
MAGNETI MARELLI	AC1028

O.E.M.:
SAAB 12788914, 12793731

REF. 1830.0030464



Motor incluido | Motor included | Moteur inclus
Eléctrico | Electric | Electrique

MODELO	CRUCES / O.E.M.	REF. / PUERTA														
<p>ALHAMBRA 96->10</p>  <p>Para vehículos con motor OEM electrónico (con función confort de origen). For vehicles with electronic OEM motor (confort function). Pour véhicules avec moteur OEM électronique (fonction confort). <u>Sólo parte mecánica Mechanism only Seulement mécanisme</u> <u>Eléctrico Electric Electrique</u></p>	<table border="1"> <tr><td>AC ROLCAR</td><td>01.3045</td></tr> <tr><td>DOGA</td><td>101337</td></tr> <tr><td>ELECTRIC LIFE</td><td>ZR VK725 L</td></tr> <tr><td>LIFT-TEK</td><td>LT VK725 L</td></tr> <tr><td>TRICLO</td><td>113907</td></tr> <tr><td>VALEO</td><td>851106</td></tr> </table> <hr/> <p>O.E.M.: FORD 1021996, 1107592, 7M0837461</p>	AC ROLCAR	01.3045	DOGA	101337	ELECTRIC LIFE	ZR VK725 L	LIFT-TEK	LT VK725 L	TRICLO	113907	VALEO	851106	<p>REF. 1830.0030059</p> 		
AC ROLCAR	01.3045															
DOGA	101337															
ELECTRIC LIFE	ZR VK725 L															
LIFT-TEK	LT VK725 L															
TRICLO	113907															
VALEO	851106															
	<table border="1"> <tr><td>AC ROLCAR</td><td>01.3044</td></tr> <tr><td>DOGA</td><td>101338</td></tr> <tr><td>ELECTRIC LIFE</td><td>ZR VK725 R</td></tr> <tr><td>LIFT-TEK</td><td>LT VK725 R</td></tr> <tr><td>TRICLO</td><td>113906</td></tr> <tr><td>VALEO</td><td>851107</td></tr> </table> <hr/> <p>O.E.M.: FORD 1021998, 1107591, 7M0837462</p>	AC ROLCAR	01.3044	DOGA	101338	ELECTRIC LIFE	ZR VK725 R	LIFT-TEK	LT VK725 R	TRICLO	113906	VALEO	851107	<p>REF. 1830.0030060</p> 		
AC ROLCAR	01.3044															
DOGA	101338															
ELECTRIC LIFE	ZR VK725 R															
LIFT-TEK	LT VK725 R															
TRICLO	113906															
VALEO	851107															
<p>ALTEA, XL, FREETRACK 04-></p>  <p>Para vehículos con motor OEM electrónico (con función confort de origen). For vehicles with electronic OEM motor (confort function). Pour véhicules avec moteur OEM électronique (fonction confort). <u>Sólo parte mecánica Mechanism only Seulement mécanisme</u> <u>Eléctrico Electric Electrique</u></p>	<table border="1"> <tr><td>AC ROLCAR</td><td>01.4651</td></tr> <tr><td>DOGA</td><td>101377</td></tr> <tr><td>ELECTRIC LIFE</td><td>ZR ST705 L</td></tr> <tr><td>LIFT-TEK</td><td>LT ST705 L</td></tr> <tr><td>SPJ</td><td>141-24</td></tr> <tr><td>TRICLO</td><td>113887</td></tr> <tr><td>VALEO</td><td>851098</td></tr> </table> <hr/> <p>O.E.M.: SEAT 5P0837461</p>	AC ROLCAR	01.4651	DOGA	101377	ELECTRIC LIFE	ZR ST705 L	LIFT-TEK	LT ST705 L	SPJ	141-24	TRICLO	113887	VALEO	851098	<p>REF. 1830.0030065</p> 
AC ROLCAR	01.4651															
DOGA	101377															
ELECTRIC LIFE	ZR ST705 L															
LIFT-TEK	LT ST705 L															
SPJ	141-24															
TRICLO	113887															
VALEO	851098															
	<table border="1"> <tr><td>AC ROLCAR</td><td>01.4650</td></tr> <tr><td>DOGA</td><td>101378</td></tr> <tr><td>ELECTRIC LIFE</td><td>ZR ST705 R</td></tr> <tr><td>LIFT-TEK</td><td>LT ST705 R</td></tr> <tr><td>SPJ</td><td>141-23</td></tr> <tr><td>TRICLO</td><td>113886</td></tr> <tr><td>VALEO</td><td>851099</td></tr> </table> <hr/> <p>O.E.M.: SEAT 5P0837462</p>	AC ROLCAR	01.4650	DOGA	101378	ELECTRIC LIFE	ZR ST705 R	LIFT-TEK	LT ST705 R	SPJ	141-23	TRICLO	113886	VALEO	851099	<p>REF. 1830.0030066</p> 
AC ROLCAR	01.4650															
DOGA	101378															
ELECTRIC LIFE	ZR ST705 R															
LIFT-TEK	LT ST705 R															
SPJ	141-23															
TRICLO	113886															
VALEO	851099															

MODELO

CRUCES / O.E.M.

REF. / PUERTA

ALTEA

04->



AC ROLCAR	01.4653
DOGA	101379
ELECTRIC LIFE	ZR ST706 L
LEMFÖRDER	60.81031.0
LIFT-TEK	LT ST706 L
MAGNETI MARELLI	AC1273
TRICLO	113889
VALEO	851100

O.E.M.:
SEAT 5P0839461A

REF. 1830.0030421



AC ROLCAR	01.4652
DOGA	101380
ELECTRIC LIFE	ZR ST706 R
LEMFÖRDER	60.81032.0
LIFT-TEK	LT ST706 R
MAGNETI MARELLI	AC1274
TRICLO	113888
VALEO	851101

O.E.M.:
SEAT 5P0839462A

REF. 1830.0030422



Para vehículos con motor OEM electrónico (con función confort de origen).
For vehicles with electronic OEM motor (confort function).
Pour véhicules avec moteur OEM électronique (fonction confort).
Sólo parte mecánica | Mechanism only | Seulement mécanisme
Eléctrico | Electric | Electrique

AROSA

97->



DOGA	100805
ELECTRIC LIFE	ZR VK712 L
LIFT-TEK	LT VK712 L
MAGNETI MARELLI	AC883
SPJ	130-22
VALEO	850706

O.E.M.:
SEAT 6X0959802B

REF. 1830.0030365



DOGA	100806
ELECTRIC LIFE	ZR VK712 R
LIFT-TEK	LT VK712 R
MAGNETI MARELLI	AC884
SPJ	130-21
VALEO	850707

O.E.M.:
SEAT 6X0959801B

REF. 1830.0030366

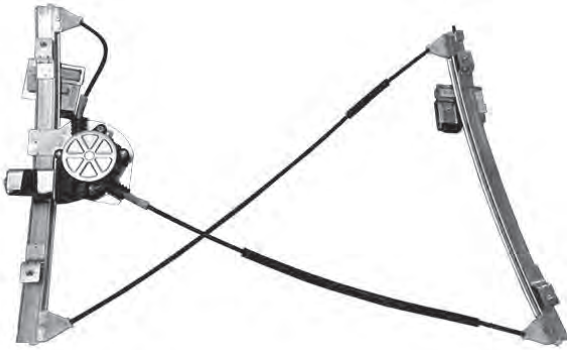


Para vehículos con motor OEM electrónico (con función confort de origen).
For vehicles with electronic OEM motor (confort function).
Pour véhicules avec moteur OEM électronique (fonction confort).
Sólo parte mecánica | Mechanism only | Seulement mécanisme
Eléctrico | Electric | Electrique

MODELO

CORDOBA

05/93->02/99



Motor incluido | Motor included | Moteur inclus
Eléctrico | Electric | Electrique

CRUCES / O.E.M.

AC ROLCAR	01.4627
DOGA	100005
ELECTRIC LIFE	ZR ST13 L
LEMFÖRDER	60.27059.0
LIFT-TEK	LT ST13 L
MAGNETI MARELLI	AC209
SPJ	132-02
TRICLO	113711, 113971
VALEO	850388

O.E.M.:

SEAT 6K3837401B, 6K3837401H,
6K3837401P, 6K3837401S

REF. / PUERTA

REF. 1830.0030105



AC ROLCAR	01.4626
DOGA	100006
ELECTRIC LIFE	ZR ST13 R
LEMFÖRDER	60.27058.0
LIFT-TEK	LT ST13 R
MAGNETI MARELLI	AC210
SPJ	132-01
TRICLO	113710, 113970
VALEO	850389

O.E.M.:

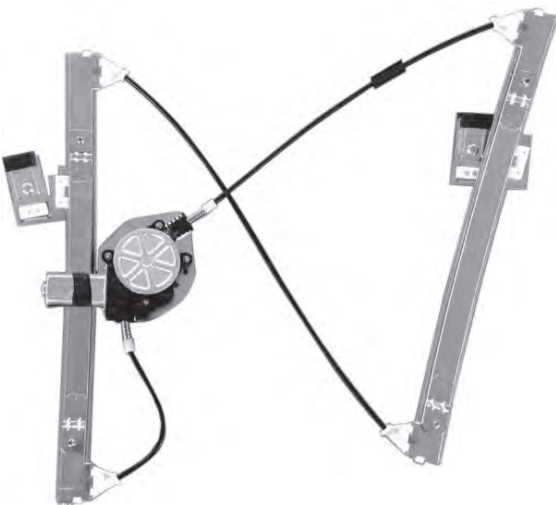
SEAT 6K3837402B, 6K3837402H,
6K3837402P, 6K3837402S

REF. 1830.0030106



CORDOBA

05/93->02/99



Motor incluido | Motor included | Moteur inclus
Eléctrico | Electric | Electrique

AC ROLCAR	A1.4611
DOGA	100001
ELECTRIC LIFE	ZR ST14 L
LEMFÖRDER	60.27053.0
LIFT-TEK	LT ST14 L
MAGNETI MARELLI	AC211
SPJ	132-04
TRICLO	113713
VALEO	850390

O.E.M.: SEAT / VOLKSWAGEN

6K4837401AA, 6K4837401B,
6K4837401P, 6K4837401S

REF. 1830.0030093



AC ROLCAR	A1.4610
DOGA	100002
ELECTRIC LIFE	ZR ST14 R
LEMFÖRDER	60.27052.0
LIFT-TEK	LT ST14 R
MAGNETI MARELLI	AC222
SPJ	132-03
TRICLO	113712
VALEO	850391

O.E.M.: SEAT / VOLKSWAGEN

6K4837402AA, 6K4837402B,
6K4837402P, 6K4837402S

REF. 1830.0030094



MODELO

CORDOBA

01/02->



Sólo parte mecánica | Mechanism only | Seulement mécanisme
Eléctrico | Electric | Electrique

EXEO

02/09->



Para vehículos con motor OEM electrónico (con función confort de origen).
For vehicles with electronic OEM motor (confort function).
Pour véhicules avec moteur OEM électronique (fonction confort).
Sólo parte mecánica | Mechanism only | Seulement mécanisme
Eléctrico | Electric | Electrique

CRUCES / O.E.M.

AC ROLCAR	01.4637
DOGA	100029
ELECTRIC LIFE	ZR ST29 L
LEMFÖRDER	60.80299.0
LIFT-TEK	LT ST29 L
MAGNETI MARELLI	AC503
TRICLO	113981

O.E.M.:
SEAT 6L4837755G

AC ROLCAR	01.4636
DOGA	100030
ELECTRIC LIFE	ZR ST29 R
LEMFÖRDER	60.80298.0
LIFT-TEK	LT ST29 R
MAGNETI MARELLI	AC504
TRICLO	113980

O.E.M.:
SEAT 6L4837756G

AC ROLCAR	01.3919
DOGA	100071
ELECTRIC LIFE	ZR AD703 L
LEMFÖRDER	60.80475.0
LIFT-TEK	LT AD703 L
MAGNETI MARELLI	AC551
SPJ	721-24
TRICLO	111231
VALEO	850596

O.E.M.:
AUDI, SEAT 8E0837461B,
8E0837461C

AC ROLCAR	01.3918
DOGA	100072
ELECTRIC LIFE	ZR AD703 R
LEMFÖRDER	60.80474.0
LIFT-TEK	LT AD703 R
MAGNETI MARELLI	AC552
SPJ	721-23
TRICLO	111230
VALEO	850597

O.E.M.:
AUDI, SEAT 8E0837462B,
8E0837462B

REF. / PUERTA

REF. 1830.0030509



REF. 1830.0030510



REF. 1830.0030109



REF. 1830.0030110



MODELO

CRUCES / O.E.M.

REF. / PUERTA

EXEO

02/09->



REF. 1830.0030245



AC ROLCAR	01.7441
DOGA	101121
ELECTRIC LIFE	ZR AD711 L
LEMFÖRDER	60.80608.0
LIFT-TEK	LT AD711 L
MAGNETI MARELLI	AC969
SPJ	721-26
TRICLO	111485
VALEO	850850

O.E.M.:
AUDI 8E0839461C

AC ROLCAR	01.7440
DOGA	101122
ELECTRIC LIFE	ZR AD711 R
LEMFÖRDER	60.80609.0
LIFT-TEK	LT AD711 R
MAGNETI MARELLI	AC970
SPJ	721-25
TRICLO	111484
VALEO	850851

O.E.M.:
AUDI 8E0839462C

REF. 1830.0030246



Para vehículos con motor OEM electrónico (con función confort de origen).
For vehicles with electronic OEM motor (confort function).
Pour véhicules avec moteur OEM électronique (fonction confort).
Sólo parte mecánica | Mechanism only | Seulement mécanisme
Eléctrico | Electric | Electrique

IBIZA II

05/93->02/99, (Chas. 6KX40001: 05/99>12/01)



REF. 1830.0030105



AC ROLCAR	01.4627
DOGA	100005
ELECTRIC LIFE	ZR ST13 L
LEMFÖRDER	60.27059.0
LIFT-TEK	LT ST13 L
MAGNETI MARELLI	AC209
SPJ	132-02
TRICLO	113711, 113971
VALEO	850388

O.E.M.:
SEAT 6K3837401B, 6K3837401H, 6K3837401P, 6K3837401S

REF. 1830.0030106



AC ROLCAR	01.4626
DOGA	100006
ELECTRIC LIFE	ZR ST13 R
LEMFÖRDER	60.27058.0
LIFT-TEK	LT ST13 R
MAGNETI MARELLI	AC210
SPJ	132-01
TRICLO	113710, 113970
VALEO	850389

O.E.M.:
SEAT 6K3837402B, 6K3837402H, 6K3837402P, 6K3837402S

Motor incluido | Motor included | Moteur inclus
Eléctrico | Electric | Electrique

MODELO

IBIZA II

05/93->02/99



Motor incluido | Motor included | Moteur inclus
Eléctrico | Electric | Electrique

CRUCES / O.E.M.

AC ROLCAR	A1.4611
DOGA	100001
ELECTRIC LIFE	ZR ST14 L
LEMFÖRDER	60.27053.0
LIFT-TEK	LT ST14 L
MAGNETI MARELLI	AC211
SPJ	132-04
TRICLO	113713
VALEO	850390

O.E.M.: SEAT / VOLKSWAGEN
6K4837401AA, 6K4837401B,
6K4837401P, 6K4837401S

REF. / PUERTA

REF. 1830.0030093



AC ROLCAR	A1.4610
DOGA	100002
ELECTRIC LIFE	ZR ST14 R
LEMFÖRDER	60.27052.0
LIFT-TEK	LT ST14 R
MAGNETI MARELLI	AC222
SPJ	132-03
TRICLO	113712
VALEO	850391

O.E.M.: SEAT / VOLKSWAGEN
6K4837402AA, 6K4837402B,
6K4837402P, 6K4837402S

REF. 1830.0030094



IBIZA

01/02->



Sólo parte mecánica | Mechanism only | Seulement mécanisme
Eléctrico | Electric | Electrique

AC ROLCAR	01.4635
DOGA	100695
ELECTRIC LIFE	ZR ST28 L
LEMFÖRDER	60.80297.0
LIFT-TEK	LT ST28 L
MAGNETI MARELLI	AC501
TRICLO	113979

O.E.M.:
SEAT 6L3837755G

REF. 1830.0030445




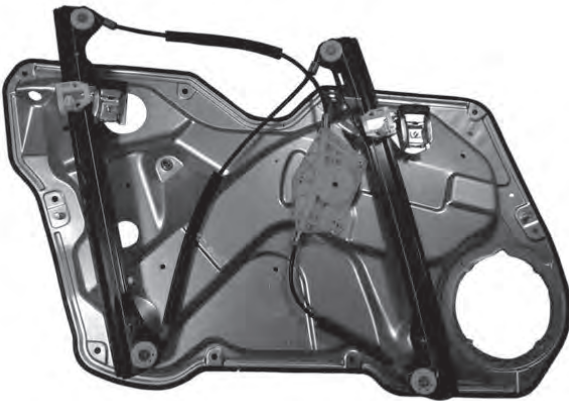




AC ROLCAR	01.4634
DOGA	100696
ELECTRIC LIFE	ZR ST28 R
LEMFÖRDER	60.80296.0
LIFT-TEK	LT ST28 R
MAGNETI MARELLI	AC502
TRICLO	113978

O.E.M.:
SEAT 6L3837756G

REF. 1830.0030446

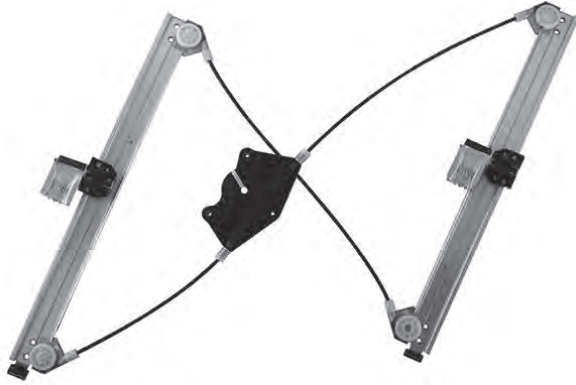


MODELO	CRUCES / O.E.M.	REF. / PUERTA														
<p>IBIZA 01/02-></p>  <p>Sólo parte mecánica Mechanism only Seulement mécanisme Eléctrico Electric Electrique</p>	<table border="1"> <tr><td>AC ROLCAR</td><td>01.4637</td></tr> <tr><td>DOGA</td><td>100029</td></tr> <tr><td>ELECTRIC LIFE</td><td>ZR ST29 L</td></tr> <tr><td>LEMFÖRDER</td><td>60.80299.0</td></tr> <tr><td>LIFT-TEK</td><td>LT ST29 L</td></tr> <tr><td>MAGNETI MARELLI</td><td>AC503</td></tr> <tr><td>TRICLO</td><td>113981</td></tr> </table> <hr/> <p>O.E.M.: SEAT 6L4837755G</p>	AC ROLCAR	01.4637	DOGA	100029	ELECTRIC LIFE	ZR ST29 L	LEMFÖRDER	60.80299.0	LIFT-TEK	LT ST29 L	MAGNETI MARELLI	AC503	TRICLO	113981	<p>REF. 1830.0030509</p> 
AC ROLCAR	01.4637															
DOGA	100029															
ELECTRIC LIFE	ZR ST29 L															
LEMFÖRDER	60.80299.0															
LIFT-TEK	LT ST29 L															
MAGNETI MARELLI	AC503															
TRICLO	113981															
	<table border="1"> <tr><td>AC ROLCAR</td><td>01.4636</td></tr> <tr><td>DOGA</td><td>100030</td></tr> <tr><td>ELECTRIC LIFE</td><td>ZR ST29 R</td></tr> <tr><td>LEMFÖRDER</td><td>60.80298.0</td></tr> <tr><td>LIFT-TEK</td><td>LT ST29 R</td></tr> <tr><td>MAGNETI MARELLI</td><td>AC504</td></tr> <tr><td>TRICLO</td><td>113980</td></tr> </table> <hr/> <p>O.E.M.: SEAT 6L4837756G</p>	AC ROLCAR	01.4636	DOGA	100030	ELECTRIC LIFE	ZR ST29 R	LEMFÖRDER	60.80298.0	LIFT-TEK	LT ST29 R	MAGNETI MARELLI	AC504	TRICLO	113980	<p>REF. 1830.0030510</p> 
AC ROLCAR	01.4636															
DOGA	100030															
ELECTRIC LIFE	ZR ST29 R															
LEMFÖRDER	60.80298.0															
LIFT-TEK	LT ST29 R															
MAGNETI MARELLI	AC504															
TRICLO	113980															
<p>LEON I 99-></p> 	<table border="1"> <tr><td>AC ROLCAR</td><td>01.4657</td></tr> <tr><td>DOGA</td><td>101699</td></tr> <tr><td>LEMFÖRDER</td><td>60.27163.0</td></tr> <tr><td>TRICLO</td><td>113955</td></tr> </table> <hr/> <p>O.E.M.: SEAT 1M0837461A</p>	AC ROLCAR	01.4657	DOGA	101699	LEMFÖRDER	60.27163.0	TRICLO	113955	<p>REF. 1830.0030379</p> 						
AC ROLCAR	01.4657															
DOGA	101699															
LEMFÖRDER	60.27163.0															
TRICLO	113955															
<p>Sólo parte mecánica, con panel Mechanism only, with panel Seulement mécanisme, avec panneau Eléctrico Electric Electrique</p>	<table border="1"> <tr><td>AC ROLCAR</td><td>01.4656</td></tr> <tr><td>DOGA</td><td>101700</td></tr> <tr><td>LEMFÖRDER</td><td>60.27162.0</td></tr> <tr><td>TRICLO</td><td>113954</td></tr> </table> <hr/> <p>O.E.M.: SEAT 1M0837462A</p>	AC ROLCAR	01.4656	DOGA	101700	LEMFÖRDER	60.27162.0	TRICLO	113954	<p>REF. 1830.0030380</p> 						
AC ROLCAR	01.4656															
DOGA	101700															
LEMFÖRDER	60.27162.0															
TRICLO	113954															

MODELO

LEON I

03/99->08/05



Para vehículos con motor OEM electrónico (con función confort de origen).
For vehicles with electronic OEM motor (confort function).
Pour véhicules avec moteur OEM électronique (fonction confort).

Sólo parte mecánica | Mechanism only | Seulement mécanisme
Eléctrico | Electric | Electrique

CRUCES / O.E.M.

AC ROLCAR	01.4643
DOGA	100843
ELECTRIC LIFE	ZR ST701 L
LEMFÖRDER	60.80457.0
LIFT-TEK	LT ST701 L
SPJ	139-18
VALEO	850598

O.E.M.:
SEAT 1M0837461A

REF. / PUERTA

REF. 1830.0030239



AC ROLCAR	01.4642
DOGA	100844
ELECTRIC LIFE	ZR ST701 R
LEMFÖRDER	60.80456.0
LIFT-TEK	LT ST701 R
SPJ	139-17
VALEO	850599

O.E.M.:
SEAT 1M0837462A

REF. 1830.0030240



LEON II

05/05->



Para vehículos con motor OEM electrónico (con función confort de origen).
For vehicles with electronic OEM motor (confort function).
Pour véhicules avec moteur OEM électronique (fonction confort).

Sólo parte mecánica | Mechanism only | Seulement mécanisme
Eléctrico | Electric | Electrique

AC ROLCAR	01.4659
DOGA	101503
ELECTRIC LIFE	ZR ST707 L
LEMFÖRDER	60.81041.0
LIFT-TEK	LT ST707 L
MAGNETI MARELLI	AC1067
TRICLO	113909
VALEO	851102

O.E.M.:
SEAT 1P0837461A

REF. 1830.0030271



AC ROLCAR	01.4658
DOGA	101504
ELECTRIC LIFE	ZR ST707 R
LEMFÖRDER	60.81042.0
LIFT-TEK	LT ST707 R
MAGNETI MARELLI	AC1068
TRICLO	113908
VALEO	851103

O.E.M.:
SEAT 1P0837462A

REF. 1830.0030272



MODELO

CRUCES / O.E.M.

REF. / PUERTA

TOLEDO

->99



AC ROLCAR	A1.4605
DOGA	100687
ELECTRIC LIFE	ZR ST10 L B
LEMFÖRDER	60.27039.0
LIFT-TEK	LT ST10 L B
MAGNETI MARELLI	AC225
TRICLO	113715
VALEO	850384

O.E.M.:
SEAT 1L0837401B

REF. 1830.0030407



AC ROLCAR	A1.4604
DOGA	100688
ELECTRIC LIFE	ZR ST10 R B
LEMFÖRDER	60.27038.0
LIFT-TEK	LT ST10 R B
MAGNETI MARELLI	AC226
TRICLO	113714
VALEO	850385

O.E.M.:
SEAT 1L0837402B

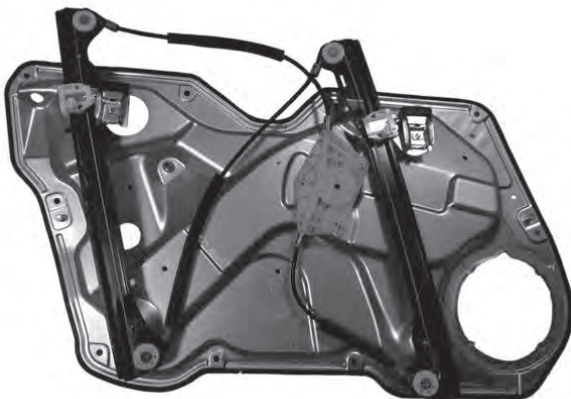
REF. 1830.0030408



Motor incluido | Motor included | Moteur inclus
Eléctrico | Electric | Electrique

TOLEDO II

98->



AC ROLCAR	01.4657
DOGA	101699
LEMFÖRDER	60.27163.0
TRICLO	113955

O.E.M.:
SEAT 1M0837461A

REF. 1830.0030379



AC ROLCAR	01.4656
DOGA	101700
LEMFÖRDER	60.27162.0
TRICLO	113954

O.E.M.:
SEAT 1M0837462A

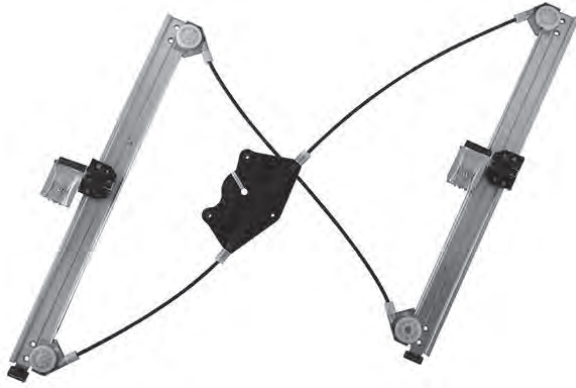
REF. 1830.0030380



Sólo parte mecánica, con panel | Mechanism only, with panel | Seulement mécanisme, avec panneau
Eléctrico | Electric | Electrique

MODELO

TOLEDO II
03/99->08/05



Para vehículos con motor OEM electrónico (con función confort de origen).
For vehicles with electronic OEM motor (confort function).
Pour véhicules avec moteur OEM électronique (fonction confort).
Sólo parte mecánica | Mechanism only | Seulement mécanisme
Eléctrico | Electric | Electrique

CRUCES / O.E.M.

AC ROLCAR	01.4643
DOGA	100843
ELECTRIC LIFE	ZR ST701 L
LEMFÖRDER	60.80457.0
LIFT-TEK	LT ST701 L
SPJ	139-18
VALEO	850598

O.E.M.:
SEAT 1M0837461A

AC ROLCAR	01.4642
DOGA	100844
ELECTRIC LIFE	ZR ST701 R
LEMFÖRDER	60.80456.0
LIFT-TEK	LT ST701 R
SPJ	139-17
VALEO	850599

O.E.M.:
SEAT 1M0837462A

REF. / PUERTA

REF. 1830.0030239



REF. 1830.0030240



MODELO

CRUCES / O.E.M.

REF. / PUERTA

FABIA

99->



AC ROLCAR	01.4165
DOGA	100677
ELECTRIC LIFE	ZR SK703 L
LEMFÖRDER	60.80349.0
LIFT-TEK	LT SK703 L
MAGNETI MARELLI	AC709
SPJ	151-24
TRICLO	113901
VALEO	850580

O.E.M.:
SKODA 6Y1837461

REF. 1830.0030215



AC ROLCAR	01.4164
DOGA	100678
ELECTRIC LIFE	ZR SK703 R
LEMFÖRDER	60.80348.0
LIFT-TEK	LT SK703 R
MAGNETI MARELLI	AC710
SPJ	151-23
TRICLO	113900
VALEO	850581

O.E.M.:
SKODA 6Y1837462

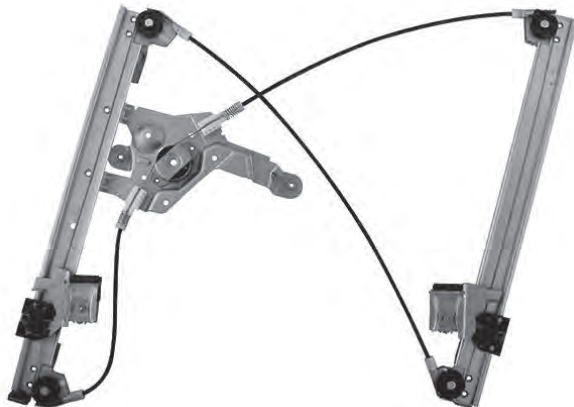
REF. 1830.0030216



Para vehículos con motor OEM electrónico (con función confort de origen).
For vehicles with electronic OEM motor (confort function).
Pour véhicules avec moteur OEM électronique (fonction confort).
Sólo parte mecánica | Mechanism only | Seulement mécanisme
Eléctrico | Electric | Electrique

OCTAVIA

97->03/05



AC ROLCAR	01.4163
DOGA	100673
ELECTRIC LIFE	ZR SK701 L
LEMFÖRDER	60.80341.0
LIFT-TEK	LT SK701 L
MAGNETI MARELLI	AC873
SPJ	152-24
TRICLO	113987
VALEO	850582

O.E.M.:
SKODA 1U0837461B

REF. 1830.0030211



AC ROLCAR	01.4162
DOGA	100674
ELECTRIC LIFE	ZR SK701 R
LEMFÖRDER	60.80340.0
LIFT-TEK	LT SK701 R
MAGNETI MARELLI	AC874
SPJ	152-23
TRICLO	113986
VALEO	850583

O.E.M.:
SKODA 1U0837462B

REF. 1830.0030212

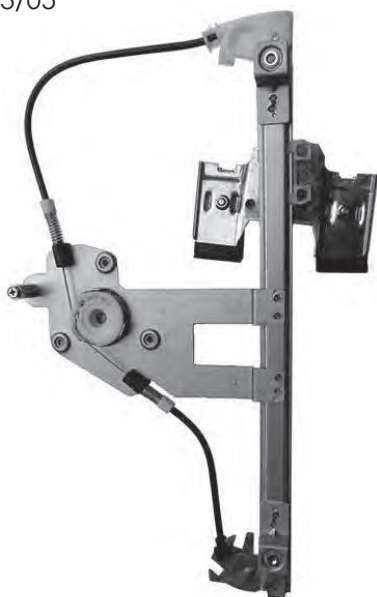


Para vehículos con motor OEM electrónico (con función confort de origen).
For vehicles with electronic OEM motor (confort function).
Pour véhicules avec moteur OEM électronique (fonction confort).
Sólo parte mecánica | Mechanism only | Seulement mécanisme
Eléctrico | Electric | Electrique

MODELO

OCTAVIA

97->03/05



Para vehículos con motor OEM electrónico (con función confort de origen).
For vehicles with electronic OEM motor (confort function).
Pour véhicules avec moteur OEM électronique (fonction confort).

Sólo parte mecánica | Mechanism only | Seulement mécanisme
Eléctrico | Electric | Electrique

CRUCES / O.E.M.

AC ROLCAR	01.4191
DOGA	100675
ELECTRIC LIFE	ZR SK702 L
LEMFÖRDER	60.80343.0
LIFT-TEK	LT SK702 L
MAGNETI MARELLI	AC875
SPJ	152-26
VALEO	850584

O.E.M.:
SKODA 1U0839461B

REF. / PUERTA

REF. 1830.0030213



AC ROLCAR	01.4190
DOGA	100676
ELECTRIC LIFE	ZR SK702 R
LEMFÖRDER	60.80342.0
LIFT-TEK	LT SK702 R
MAGNETI MARELLI	AC876
SPJ	152-25
VALEO	850585

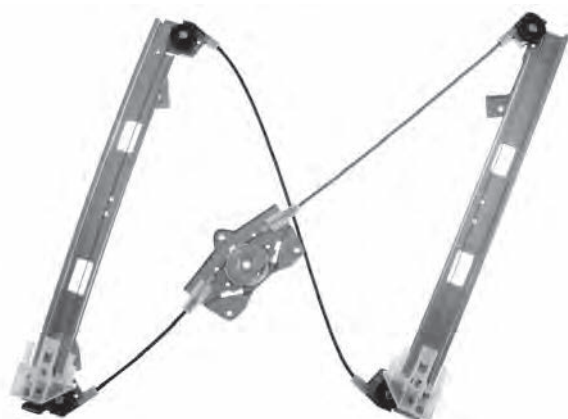
O.E.M.:
SKODA 1U0839462B

REF. 1830.0030214



OCTAVIA

00->13



Para vehículos con motor OEM electrónico (con función confort de origen).
For vehicles with electronic OEM motor (confort function).
Pour véhicules avec moteur OEM électronique (fonction confort).

Sólo parte mecánica | Mechanism only | Seulement mécanisme
Eléctrico | Electric | Electrique

AC ROLCAR	01.4195
DOGA	101261
ELECTRIC LIFE	ZR SK707 L
LEMFÖRDER	60.80767.0
LIFT-TEK	LT SK707 L
MAGNETI MARELLI	AC861
SPJ	154-24
VALEO	850868

O.E.M.:
SKODA 1Z1837461

REF. 1830.0030303



AC ROLCAR	01.4194
DOGA	101262
ELECTRIC LIFE	ZR SK707 R
LEMFÖRDER	60.80768.0
LIFT-TEK	LT SK707 R
MAGNETI MARELLI	AC862
SPJ	154-23
VALEO	850869

O.E.M.:
SKODA 1Z1837462

REF. 1830.0030304



MODELO

OCTAVIA

04/05->



Para vehículos con motor OEM electrónico (con función confort de origen).
For vehicles with electronic OEM motor (confort function).
Pour véhicules avec moteur OEM électronique (fonction confort).
Sólo parte mecánica | Mechanism only | Seulement mécanisme
Eléctrico | Electric | Electrique

CRUCES / O.E.M.

AC ROLCAR	01.7591
DOGA	101263
ELECTRIC LIFE	ZR SK708 L
LEMFÖRDER	60.80769.0
LIFT-TEK	LT SK708 L
MAGNETI MARELLI	AC863
VALEO	850870

O.E.M.:
SKODA 1Z0839461A

AC ROLCAR	01.7590
DOGA	101264
ELECTRIC LIFE	ZR SK708 R
LEMFÖRDER	60.80770.0
LIFT-TEK	LT SK708 R
MAGNETI MARELLI	AC864
VALEO	850871

O.E.M.:
SKODA 1Z0839462A

REF. / PUERTA

REF. 1830.0030255

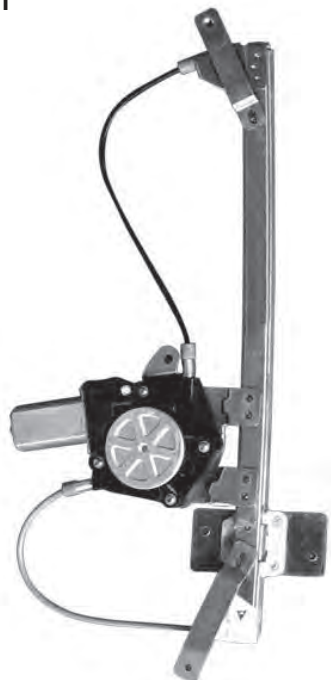


REF. 1830.0030256



MODELO

SMART
98->07



Motor incluido | Motor included | Moteur inclus
Eléctrico | Electric | Electrique

CRUCES / O.E.M.

AC ROLCAR	01.4331
DOGA	100437
ELECTRIC LIFE	ZR ME72 L
LEMFÖRDER	60.80231.0
LIFT-TEK	LT ME72 L
MAGNETI MARELLI	AC361
TRICLO	111235
VALEO	850254

O.E.M.:
MERCEDES BENZ
C0002691V0010000000

AC ROLCAR	01.4330
DOGA	100438
ELECTRIC LIFE	ZR ME72 R
LEMFÖRDER	60.80230.0
LIFT-TEK	LT ME72 R
MAGNETI MARELLI	AC362
TRICLO	111234
VALEO	850255

O.E.M.:
MERCEDES BENZ
C0002702V0010000000

REF. / PUERTA

REF. 1830.0030293



REF. 1830.0030294



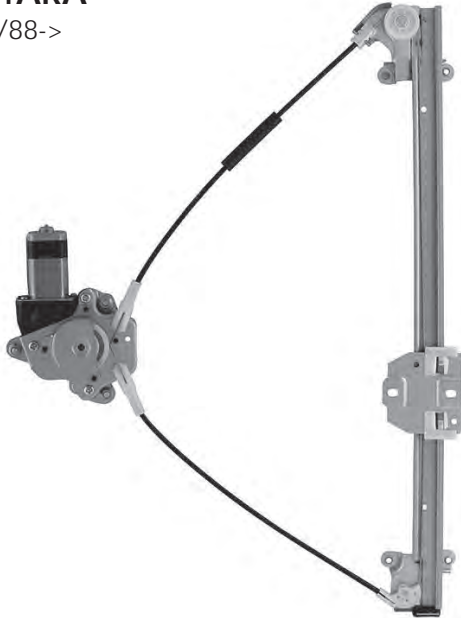
MODELO

CRUCES / O.E.M.

REF. / PUERTA

VITARA

10/88->



AC ROLCAR	01.7003
DOGA	100699
ELECTRIC LIFE	ZR SZ02 L
LEMFÖRDER	63.32031.0
LIFT-TEK	LT SZ02 L
SPJ	655-02
TRICLO	111059

O.E.M.:
SUZUKI 8340262A00

REF. 1830.0030217



AC ROLCAR	01.7002
DOGA	100700
ELECTRIC LIFE	ZR SZ02 R
LEMFÖRDER	63.32030.0
LIFT-TEK	LT SZ02 R
SPJ	655-01
TRICLO	111058

O.E.M.:
SUZUKI 8340162A00

REF. 1830.0030218



Motor incluido | Motor included | Moteur inclus
Eléctrico | Electric | Electrique

WAGON R

00->07



AC ROLCAR	01.4245
DOGA	100519
ELECTRIC LIFE	ZR OP73 L
LEMFÖRDER	60.80429.0
LIFT-TEK	LT OP73 L
MAGNETI MARELLI	AC453
TRICLO	118253
VALEO	850288

O.E.M.:
OPEL 9206373

REF. 1830.0030477



AC ROLCAR	01.4244
DOGA	100520
ELECTRIC LIFE	ZR OP73 R
LEMFÖRDER	60.80428.0
LIFT-TEK	LT OP73 R
MAGNETI MARELLI	AC454
TRICLO	118252
VALEO	850289

O.E.M.:
OPEL 9206371

REF. 1830.0030478

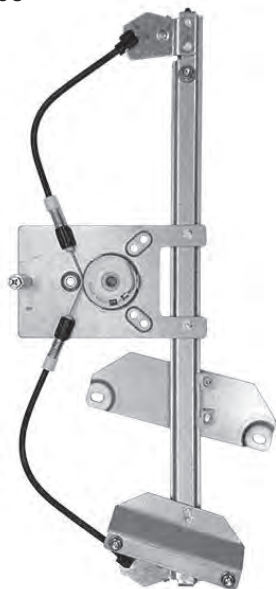


Motor incluido | Motor included | Moteur inclus
Eléctrico | Electric | Electrique

MODELO

AVENSIS

01/98->04/03



Para vehículos con motor OEM electrónico (con función confort de origen).
 For vehicles with electronic OEM motor (confort function).
 Pour véhicules avec moteur OEM électronique (fonction confort).
Sólo parte mecánica | Mechanism only | Seulement mécanisme
Eléctrico | Electric | Electrique

CRUCES / O.E.M.

DOGA	101401
ELECTRIC LIFE	ZR TY703 L
LEMFÖRDER	60.81047.0
LIFT-TEK	LT TY703 L
MAGNETI MARELLI	AC971
VALEO	851008

O.E.M.:
TOYOTA 6982005040GR

DOGA	101402
ELECTRIC LIFE	ZR TY703 R
LEMFÖRDER	60.81048.0
LIFT-TEK	LT TY703 R
MAGNETI MARELLI	AC972
VALEO	851009

O.E.M.:
TOYOTA 6981005040GR

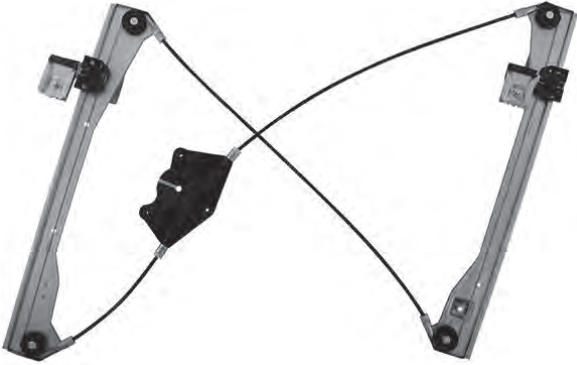

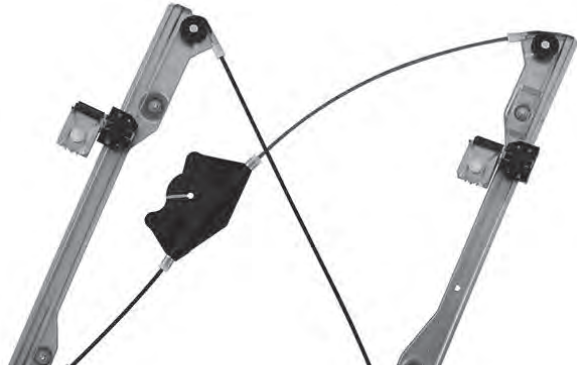




REF. / PUERTA

REF. 1830.0030069



REF. 1830.0030070



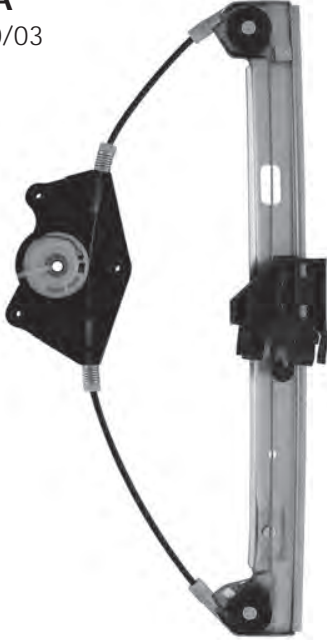
MODELO	CRUCES / O.E.M.	REF. / PUERTA																
<p>BORA 98->10/03</p>  <p>Para vehículos con motor OEM electrónico (con función confort de origen). For vehicles with electronic OEM motor (confort function). Pour véhicules avec moteur OEM électronique (fonction confort). <u>Sólo parte mecánica Mechanism only Seulement mécanisme</u> <u>Eléctrico Electric Electrique</u></p>	<table border="1"> <tr><td>AC ROLCAR</td><td>01.4823</td></tr> <tr><td>DOGA</td><td>100025</td></tr> <tr><td>ELECTRIC LIFE</td><td>ZR VK702 L</td></tr> <tr><td>LEMFÖRDER</td><td>60.80301.0</td></tr> <tr><td>LIFT-TEK</td><td>LT VK702 L</td></tr> <tr><td>MAGNETI MARELLI</td><td>AC483</td></tr> <tr><td>SPJ</td><td>104-22</td></tr> <tr><td>VALEO</td><td>850522</td></tr> </table> <p>O.E.M.: VOLKSWAGEN 1J3837461D, 1J3837461F, 1J3837461H, 1JM898461A</p>	AC ROLCAR	01.4823	DOGA	100025	ELECTRIC LIFE	ZR VK702 L	LEMFÖRDER	60.80301.0	LIFT-TEK	LT VK702 L	MAGNETI MARELLI	AC483	SPJ	104-22	VALEO	850522	<p>REF. 1830.0030101</p> 
AC ROLCAR	01.4823																	
DOGA	100025																	
ELECTRIC LIFE	ZR VK702 L																	
LEMFÖRDER	60.80301.0																	
LIFT-TEK	LT VK702 L																	
MAGNETI MARELLI	AC483																	
SPJ	104-22																	
VALEO	850522																	
<p>BORA 98->10/03</p>  <p>Para vehículos con motor OEM electrónico (con función confort de origen). For vehicles with electronic OEM motor (confort function). Pour véhicules avec moteur OEM électronique (fonction confort). <u>Sólo parte mecánica Mechanism only Seulement mécanisme</u> <u>Eléctrico Electric Electrique</u></p>	<table border="1"> <tr><td>AC ROLCAR</td><td>01.4822</td></tr> <tr><td>DOGA</td><td>100026</td></tr> <tr><td>ELECTRIC LIFE</td><td>ZR VK702 R</td></tr> <tr><td>LEMFÖRDER</td><td>60.80300.0</td></tr> <tr><td>LIFT-TEK</td><td>LT VK702 R</td></tr> <tr><td>MAGNETI MARELLI</td><td>AC484</td></tr> <tr><td>SPJ</td><td>104-21</td></tr> <tr><td>VALEO</td><td>850523</td></tr> </table> <p>O.E.M.: VOLKSWAGEN 1J3837462D, 1J3837462F, 1J3837462H, 1JM898462A</p>	AC ROLCAR	01.4822	DOGA	100026	ELECTRIC LIFE	ZR VK702 R	LEMFÖRDER	60.80300.0	LIFT-TEK	LT VK702 R	MAGNETI MARELLI	AC484	SPJ	104-21	VALEO	850523	<p>REF. 1830.0030102</p> 
AC ROLCAR	01.4822																	
DOGA	100026																	
ELECTRIC LIFE	ZR VK702 R																	
LEMFÖRDER	60.80300.0																	
LIFT-TEK	LT VK702 R																	
MAGNETI MARELLI	AC484																	
SPJ	104-21																	
VALEO	850523																	
<p>BORA 98->10/03</p>  <p>Para vehículos con motor OEM electrónico (con función confort de origen). For vehicles with electronic OEM motor (confort function). Pour véhicules avec moteur OEM électronique (fonction confort). <u>Sólo parte mecánica Mechanism only Seulement mécanisme</u> <u>Eléctrico Electric Electrique</u></p>	<table border="1"> <tr><td>AC ROLCAR</td><td>01.4825</td></tr> <tr><td>DOGA</td><td>100019</td></tr> <tr><td>ELECTRIC LIFE</td><td>ZR VK704 L</td></tr> <tr><td>LIFT-TEK</td><td>LT VK704 L</td></tr> <tr><td>SPJ</td><td>104-24</td></tr> <tr><td>TRICLO</td><td>113597</td></tr> <tr><td>VALEO</td><td>850524</td></tr> </table> <p>O.E.M.: VOLKSWAGEN 1J4837461D, 1J4837461F, 1J4837461H</p>	AC ROLCAR	01.4825	DOGA	100019	ELECTRIC LIFE	ZR VK704 L	LIFT-TEK	LT VK704 L	SPJ	104-24	TRICLO	113597	VALEO	850524	<p>REF. 1830.0030099</p> 		
AC ROLCAR	01.4825																	
DOGA	100019																	
ELECTRIC LIFE	ZR VK704 L																	
LIFT-TEK	LT VK704 L																	
SPJ	104-24																	
TRICLO	113597																	
VALEO	850524																	
	<table border="1"> <tr><td>AC ROLCAR</td><td>01.4824</td></tr> <tr><td>DOGA</td><td>100020</td></tr> <tr><td>ELECTRIC LIFE</td><td>ZR VK704 R</td></tr> <tr><td>LIFT-TEK</td><td>LT VK704 R</td></tr> <tr><td>MAGNETI MARELLI</td><td>AC486</td></tr> <tr><td>SPJ</td><td>104-23</td></tr> <tr><td>TRICLO</td><td>113596</td></tr> <tr><td>VALEO</td><td>850525</td></tr> </table> <p>O.E.M.: VOLKSWAGEN 1J4837462D, 1J4837462F, 1J4837462H</p>	AC ROLCAR	01.4824	DOGA	100020	ELECTRIC LIFE	ZR VK704 R	LIFT-TEK	LT VK704 R	MAGNETI MARELLI	AC486	SPJ	104-23	TRICLO	113596	VALEO	850525	<p>REF. 1830.0030100</p> 
AC ROLCAR	01.4824																	
DOGA	100020																	
ELECTRIC LIFE	ZR VK704 R																	
LIFT-TEK	LT VK704 R																	
MAGNETI MARELLI	AC486																	
SPJ	104-23																	
TRICLO	113596																	
VALEO	850525																	

MODELO

CRUCES / O.E.M.

REF. / PUERTA

BORA
98->10/03



AC ROLCAR	01.4867
DOGA	100807
ELECTRIC LIFE	ZR VK713 L
LEMFÖRDER	60.80795.0
LIFT-TEK	LT VK713 L
MAGNETI MARELLI	AC789
TRICLO	113013
VALEO	850810

REF. 1830.0030235



O.E.M.:
VOLKSWAGEN 1J4839461F,
1J4839729J, 1J5839461A

AC ROLCAR	01.4866
DOGA	100808
ELECTRIC LIFE	ZR VK713 R
LEMFÖRDER	60.80796.0
LIFT-TEK	LT VK713 R
MAGNETI MARELLI	AC790
TRICLO	113012
VALEO	850811

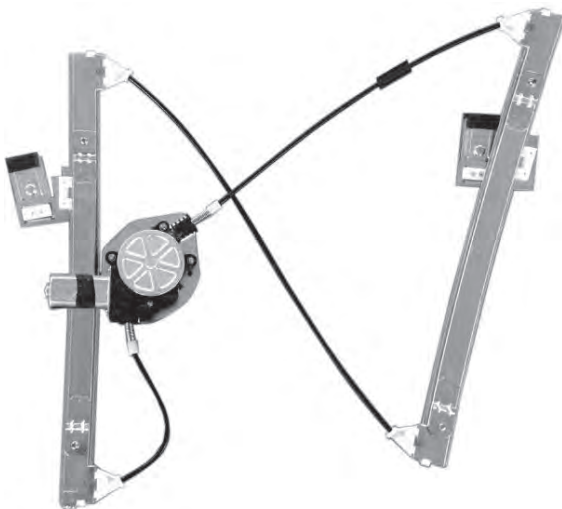
REF. 1830.0030236



Para vehículos con motor OEM electrónico (con función confort de origen).
For vehicles with electronic OEM motor (confort function).
Pour véhicules avec moteur OEM électronique (fonction confort).
Sólo parte mecánica | Mechanism only | Seulement mécanisme
Eléctrico | Electric | Electrique

O.E.M.:
VOLKSWAGEN 1J4839462F,
1J4839730J, 1J5839462A

CADDY
95->



AC ROLCAR	A1.4611
DOGA	100001
ELECTRIC LIFE	ZR ST14 L
LEMFÖRDER	60.27053.0
LIFT-TEK	LT ST14 L
MAGNETI MARELLI	AC211
SPJ	132-04
TRICLO	113713
VALEO	850390

REF. 1830.0030093



O.E.M.: SEAT / VOLKSWAGEN
6K4837401AA, 6K4837401B,
6K4837401P, 6K4837401S

AC ROLCAR	A1.4610
DOGA	100002
ELECTRIC LIFE	ZR ST14 R
LEMFÖRDER	60.27052.0
LIFT-TEK	LT ST14 R
MAGNETI MARELLI	AC222
SPJ	132-03
TRICLO	113712
VALEO	850391

REF. 1830.0030094



Motor incluido | Motor included | Moteur inclus
Eléctrico | Electric | Electrique

O.E.M.: SEAT / VOLKSWAGEN
6K4837402AA, 6K4837402B,
6K4837402P, 6K4837402S

MODELO

CRUCES / O.E.M.

REF. / PUERTA

CADDY

03/04->



AC ROLCAR	01.4833
DOGA	100795
ELECTRIC LIFE	ZR VK707 L
LEMFÖRDER	60.80311.0
LIFT-TEK	LT VK707 L
MAGNETI MARELLI	AC865
VALEO	850560

O.E.M.:
VOLKSWAGEN 2K1837729E

REF. 1830.0030275



AC ROLCAR	01.4832
DOGA	100796
ELECTRIC LIFE	ZR VK707 R
LEMFÖRDER	60.80310.0
LIFT-TEK	LT VK707 R
MAGNETI MARELLI	AC866
VALEO	850561

O.E.M.:
VOLKSWAGEN 2K1837730E

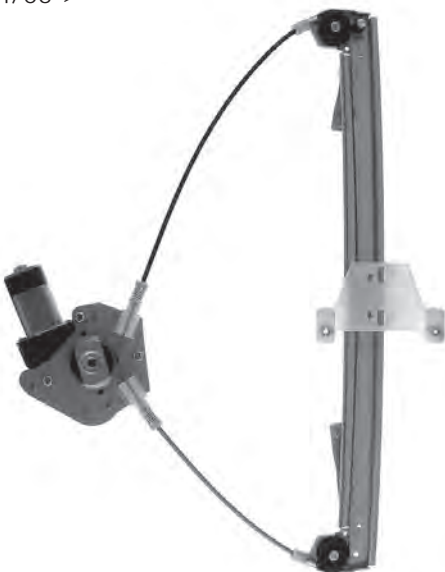
REF. 1830.0030276



Para vehículos con motor OEM electrónico (con función confort de origen).
For vehicles with electronic OEM motor (confort function).
Pour véhicules avec moteur OEM électronique (fonction confort).
Sólo parte mecánica | Mechanism only | Seulement mécanisme
Eléctrico | Electric | Electrique

FOX

04/05->



AC ROLCAR	01.4877
DOGA	100809
ELECTRIC LIFE	ZR VK95 L
LEMFÖRDER	60.80345.0
LIFT-TEK	LT VK95 L
MAGNETI MARELLI	AC1473
VALEO	850658

O.E.M.:
VOLKSWAGEN 5Z3837501A

REF. 1830.0030283



AC ROLCAR	01.4876
DOGA	100810
ELECTRIC LIFE	ZR VK95 R
LEMFÖRDER	60.80344.0
LIFT-TEK	LT VK95 R
MAGNETI MARELLI	AC1474
VALEO	850659

O.E.M.:
VOLKSWAGEN 5Z3837502A

REF. 1830.0030284



Motor incluido | Motor included | Moteur inclus
Eléctrico | Electric | Electrique

MODELO

CRUCES / O.E.M.

REF. / PUERTA

GOLF I

74->



DOGA	110073
ELECTRIC LIFE	ZR VK901 L
LIFT-TEK	LT VK901 L
TRICLO	103669

O.E.M.:
VOLKSWAGEN 191837401B

REF. 1830.30391MA



DOGA	110074
ELECTRIC LIFE	ZR VK901 R
LIFT-TEK	LT VK901 R
TRICLO	103668

O.E.M.:
VOLKSWAGEN 191837402B

REF. 1830.30392MA



Sólo parte mecánica | Mechanism only | Seulement mécanisme
Manual | Manually | Manuel

GOLF II

86->



AC ROLCAR	01.4771
DOGA	100775
ELECTRIC LIFE	ZR VK16 L B
LEMFÖRDER	60.30003.0
LIFT-TEK	LT VK16 L B
MAGNETI MARELLI	AC243
SPJ	108-04
VALEO	850440

O.E.M.:
VOLKSWAGEN 191837401C,
191837461A

REF. 1830.0030363









AC ROLCAR	01.4770
DOGA	100776
ELECTRIC LIFE	ZR VK16 R B
LEMFÖRDER	60.30002.0
LIFT-TEK	LT VK16 R B
MAGNETI MARELLI	AC244
SPJ	108-03
VALEO	850441







O.E.M.:
VOLKSWAGEN 191837402C,
191837462A

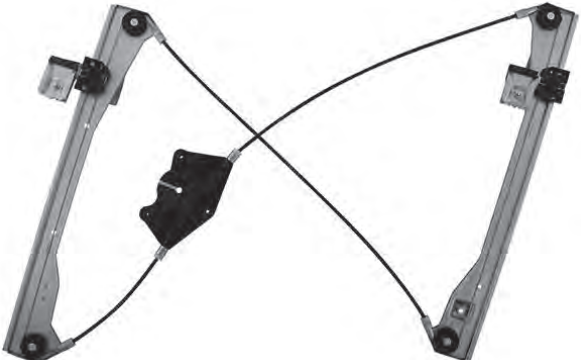

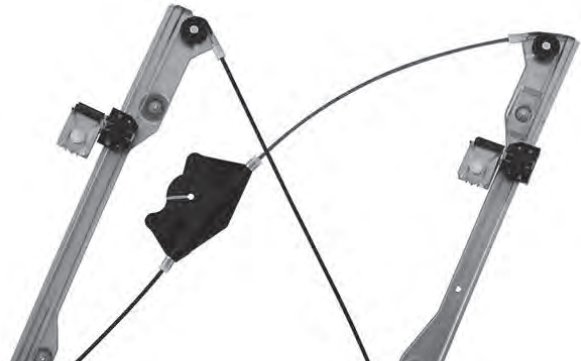

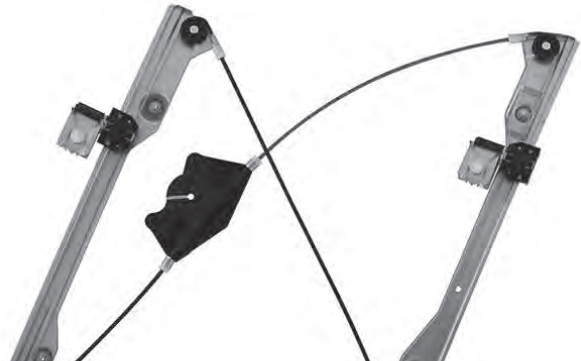


REF. 1830.0030364



Motor incluido | Motor included | Moteur inclus
Eléctrico | Electric | Electrique

MODELO	CRUCES / O.E.M.	REF. / PUERTA																
<p>GOLF II 88-></p>  <p>Sólo parte mecánica Mechanism only Seulement mécanisme Manual Manually Manuel</p>	<table border="1"> <tr><td>DOGA</td><td>110073</td></tr> <tr><td>ELECTRIC LIFE</td><td>ZR VK901 L</td></tr> <tr><td>LIFT-TEK</td><td>LT VK901 L</td></tr> <tr><td>TRICLO</td><td>103669</td></tr> </table> <p>O.E.M.: VOLKSWAGEN 191837401B</p>	DOGA	110073	ELECTRIC LIFE	ZR VK901 L	LIFT-TEK	LT VK901 L	TRICLO	103669	<p>REF. 1830.30391MA</p> 								
DOGA	110073																	
ELECTRIC LIFE	ZR VK901 L																	
LIFT-TEK	LT VK901 L																	
TRICLO	103669																	
	<table border="1"> <tr><td>DOGA</td><td>110074</td></tr> <tr><td>ELECTRIC LIFE</td><td>ZR VK901 R</td></tr> <tr><td>LIFT-TEK</td><td>LT VK901 R</td></tr> <tr><td>TRICLO</td><td>103668</td></tr> </table> <p>O.E.M.: VOLKSWAGEN 191837402B</p>	DOGA	110074	ELECTRIC LIFE	ZR VK901 R	LIFT-TEK	LT VK901 R	TRICLO	103668	<p>REF. 1830.30392MA</p> 								
DOGA	110074																	
ELECTRIC LIFE	ZR VK901 R																	
LIFT-TEK	LT VK901 R																	
TRICLO	103668																	
<p>GOLF III (Variant, Vento) 09/91->04/99</p>  <p>Sólo parte mecánica Mechanism only Seulement mécanisme Eléctrico Electric Electrique</p>	<table border="1"> <tr><td>AC ROLCAR</td><td>01.4829</td></tr> <tr><td>DOGA</td><td>101123</td></tr> <tr><td>ELECTRIC LIFE</td><td>ZR VK727 L</td></tr> <tr><td>LEMFÖRDER</td><td>60.81853.0</td></tr> <tr><td>LIFT-TEK</td><td>LT VK727 L</td></tr> <tr><td>SPJ</td><td>109-22</td></tr> <tr><td>TRICLO</td><td>113009</td></tr> <tr><td>VALEO</td><td>851174</td></tr> </table> <p>O.E.M.: VOLKSWAGEN 1H0837401C</p>	AC ROLCAR	01.4829	DOGA	101123	ELECTRIC LIFE	ZR VK727 L	LEMFÖRDER	60.81853.0	LIFT-TEK	LT VK727 L	SPJ	109-22	TRICLO	113009	VALEO	851174	<p>REF. 1830.0030019</p> 
AC ROLCAR	01.4829																	
DOGA	101123																	
ELECTRIC LIFE	ZR VK727 L																	
LEMFÖRDER	60.81853.0																	
LIFT-TEK	LT VK727 L																	
SPJ	109-22																	
TRICLO	113009																	
VALEO	851174																	
	<table border="1"> <tr><td>AC ROLCAR</td><td>01.4828</td></tr> <tr><td>DOGA</td><td>101124</td></tr> <tr><td>ELECTRIC LIFE</td><td>ZR VK727 R</td></tr> <tr><td>LEMFÖRDER</td><td>60.81854.0</td></tr> <tr><td>LIFT-TEK</td><td>LT VK727 R</td></tr> <tr><td>SPJ</td><td>109-21</td></tr> <tr><td>TRICLO</td><td>113008</td></tr> <tr><td>VALEO</td><td>851175</td></tr> </table> <p>O.E.M.: VOLKSWAGEN 1H0837402C</p>	AC ROLCAR	01.4828	DOGA	101124	ELECTRIC LIFE	ZR VK727 R	LEMFÖRDER	60.81854.0	LIFT-TEK	LT VK727 R	SPJ	109-21	TRICLO	113008	VALEO	851175	<p>REF. 1830.0030020</p> 
AC ROLCAR	01.4828																	
DOGA	101124																	
ELECTRIC LIFE	ZR VK727 R																	
LEMFÖRDER	60.81854.0																	
LIFT-TEK	LT VK727 R																	
SPJ	109-21																	
TRICLO	113008																	
VALEO	851175																	

MODELO	CRUCES / O.E.M.	REF. / PUERTA										
<p>GOLF III (Variant, Vento) 09/91->04/99</p>  <p>Sólo parte mecánica Mechanism only Seulement mécanisme Manual Manually Manuel</p>	<table border="1"> <tr><td>FEBI BILSTEIN</td><td>14722</td></tr> <tr><td>METZGER</td><td>2160007</td></tr> <tr><td>MEYLE</td><td>1008370030</td></tr> </table> <p>O.E.M.: VOLKSWAGEN 1H0837401B</p>	FEBI BILSTEIN	14722	METZGER	2160007	MEYLE	1008370030	<p>REF. 1830.30019MA</p> 				
FEBI BILSTEIN	14722											
METZGER	2160007											
MEYLE	1008370030											
	<table border="1"> <tr><td>FEBI BILSTEIN</td><td>14724</td></tr> <tr><td>METZGER</td><td>2160008</td></tr> <tr><td>MEYLE</td><td>1008370031</td></tr> </table> <p>O.E.M.: VOLKSWAGEN 1H0837402B</p>	FEBI BILSTEIN	14724	METZGER	2160008	MEYLE	1008370031	<p>REF. 1830.30020MA</p> 				
FEBI BILSTEIN	14724											
METZGER	2160008											
MEYLE	1008370031											
<p>GOLF III (Variant, Vento) 91-></p>  <p>Para vehículos con motor OEM electrónico (con función confort de origen). For vehicles with electronic OEM motor (confort function). Pour véhicules avec moteur OEM électronique (fonction confort). Sólo parte mecánica Mechanism only Seulement mécanisme Eléctrico Electric Electrique</p>	<table border="1"> <tr><td>AC ROLCAR</td><td>01.4845</td></tr> <tr><td>DOGA</td><td>101723</td></tr> <tr><td>ELECTRIC LIFE</td><td>ZR VK728 L</td></tr> <tr><td>LEMFÖRDER</td><td>60.81551.0</td></tr> <tr><td>LIFT-TEK</td><td>LT VK728 L</td></tr> </table> <p>O.E.M.: VOLKSWAGEN 1H4839461</p>	AC ROLCAR	01.4845	DOGA	101723	ELECTRIC LIFE	ZR VK728 L	LEMFÖRDER	60.81551.0	LIFT-TEK	LT VK728 L	<p>REF. 1830.0030305</p> 
AC ROLCAR	01.4845											
DOGA	101723											
ELECTRIC LIFE	ZR VK728 L											
LEMFÖRDER	60.81551.0											
LIFT-TEK	LT VK728 L											
	<table border="1"> <tr><td>AC ROLCAR</td><td>01.4844</td></tr> <tr><td>DOGA</td><td>101724</td></tr> <tr><td>ELECTRIC LIFE</td><td>ZR VK728 R</td></tr> <tr><td>LEMFÖRDER</td><td>60.81550.0</td></tr> <tr><td>LIFT-TEK</td><td>LT VK728 R</td></tr> </table> <p>O.E.M.: VOLKSWAGEN 1H4839462</p>	AC ROLCAR	01.4844	DOGA	101724	ELECTRIC LIFE	ZR VK728 R	LEMFÖRDER	60.81550.0	LIFT-TEK	LT VK728 R	<p>REF. 1830.0030306</p> 
AC ROLCAR	01.4844											
DOGA	101724											
ELECTRIC LIFE	ZR VK728 R											
LEMFÖRDER	60.81550.0											
LIFT-TEK	LT VK728 R											

MODELO	CRUCES / O.E.M.	REF. / PUERTA																
<p>GOLF IV 98->10/03</p>  <p>Para vehículos con motor OEM electrónico (con función confort de origen). For vehicles with electronic OEM motor (confort function). Pour véhicules avec moteur OEM électronique (fonction confort). Sólo parte mecánica Mechanism only Seulement mécanisme Eléctrico Electric Électrique</p>	<table border="1"> <tr><td>AC ROLCAR</td><td>01.4823</td></tr> <tr><td>DOGA</td><td>100025</td></tr> <tr><td>ELECTRIC LIFE</td><td>ZR VK702 L</td></tr> <tr><td>LEMFÖRDER</td><td>60.80301.0</td></tr> <tr><td>LIFT-TEK</td><td>LT VK702 L</td></tr> <tr><td>MAGNETI MARELLI</td><td>AC483</td></tr> <tr><td>SPJ</td><td>104-22</td></tr> <tr><td>VALEO</td><td>850522</td></tr> </table> <p>O.E.M.: VOLKSWAGEN 1J3837461D, 1J3837461F, 1J3837461H, 1JM898461A</p>	AC ROLCAR	01.4823	DOGA	100025	ELECTRIC LIFE	ZR VK702 L	LEMFÖRDER	60.80301.0	LIFT-TEK	LT VK702 L	MAGNETI MARELLI	AC483	SPJ	104-22	VALEO	850522	<p>REF. 1830.0030101</p> 
AC ROLCAR	01.4823																	
DOGA	100025																	
ELECTRIC LIFE	ZR VK702 L																	
LEMFÖRDER	60.80301.0																	
LIFT-TEK	LT VK702 L																	
MAGNETI MARELLI	AC483																	
SPJ	104-22																	
VALEO	850522																	
<p>GOLF IV 98->10/03</p>  <p>Para vehículos con motor OEM electrónico (con función confort de origen). For vehicles with electronic OEM motor (confort function). Pour véhicules avec moteur OEM électronique (fonction confort). Sólo parte mecánica Mechanism only Seulement mécanisme Eléctrico Electric Électrique</p>	<table border="1"> <tr><td>AC ROLCAR</td><td>01.4822</td></tr> <tr><td>DOGA</td><td>100026</td></tr> <tr><td>ELECTRIC LIFE</td><td>ZR VK702 R</td></tr> <tr><td>LEMFÖRDER</td><td>60.80300.0</td></tr> <tr><td>LIFT-TEK</td><td>LT VK702 R</td></tr> <tr><td>MAGNETI MARELLI</td><td>AC484</td></tr> <tr><td>SPJ</td><td>104-21</td></tr> <tr><td>VALEO</td><td>850523</td></tr> </table> <p>O.E.M.: VOLKSWAGEN 1J3837462D, 1J3837462F, 1J3837462H, 1JM898462A</p>	AC ROLCAR	01.4822	DOGA	100026	ELECTRIC LIFE	ZR VK702 R	LEMFÖRDER	60.80300.0	LIFT-TEK	LT VK702 R	MAGNETI MARELLI	AC484	SPJ	104-21	VALEO	850523	<p>REF. 1830.0030102</p> 
AC ROLCAR	01.4822																	
DOGA	100026																	
ELECTRIC LIFE	ZR VK702 R																	
LEMFÖRDER	60.80300.0																	
LIFT-TEK	LT VK702 R																	
MAGNETI MARELLI	AC484																	
SPJ	104-21																	
VALEO	850523																	
<p>GOLF IV 98->10/03</p>  <p>Para vehículos con motor OEM electrónico (con función confort de origen). For vehicles with electronic OEM motor (confort function). Pour véhicules avec moteur OEM électronique (fonction confort). Sólo parte mecánica Mechanism only Seulement mécanisme Eléctrico Electric Électrique</p>	<table border="1"> <tr><td>AC ROLCAR</td><td>01.4825</td></tr> <tr><td>DOGA</td><td>100019</td></tr> <tr><td>ELECTRIC LIFE</td><td>ZR VK704 L</td></tr> <tr><td>LIFT-TEK</td><td>LT VK704 L</td></tr> <tr><td>SPJ</td><td>104-24</td></tr> <tr><td>TRICLO</td><td>113597</td></tr> <tr><td>VALEO</td><td>850524</td></tr> </table> <p>O.E.M.: VOLKSWAGEN 1J4837461D, 1J4837461F, 1J4837461H</p>	AC ROLCAR	01.4825	DOGA	100019	ELECTRIC LIFE	ZR VK704 L	LIFT-TEK	LT VK704 L	SPJ	104-24	TRICLO	113597	VALEO	850524	<p>REF. 1830.0030099</p> 		
AC ROLCAR	01.4825																	
DOGA	100019																	
ELECTRIC LIFE	ZR VK704 L																	
LIFT-TEK	LT VK704 L																	
SPJ	104-24																	
TRICLO	113597																	
VALEO	850524																	
	<table border="1"> <tr><td>AC ROLCAR</td><td>01.4824</td></tr> <tr><td>DOGA</td><td>100020</td></tr> <tr><td>ELECTRIC LIFE</td><td>ZR VK704 R</td></tr> <tr><td>LIFT-TEK</td><td>LT VK704 R</td></tr> <tr><td>MAGNETI MARELLI</td><td>AC486</td></tr> <tr><td>SPJ</td><td>104-23</td></tr> <tr><td>TRICLO</td><td>113596</td></tr> <tr><td>VALEO</td><td>850525</td></tr> </table> <p>O.E.M.: VOLKSWAGEN 1J4837462D, 1J4837462F, 1J4837462H</p>	AC ROLCAR	01.4824	DOGA	100020	ELECTRIC LIFE	ZR VK704 R	LIFT-TEK	LT VK704 R	MAGNETI MARELLI	AC486	SPJ	104-23	TRICLO	113596	VALEO	850525	<p>REF. 1830.0030100</p> 
AC ROLCAR	01.4824																	
DOGA	100020																	
ELECTRIC LIFE	ZR VK704 R																	
LIFT-TEK	LT VK704 R																	
MAGNETI MARELLI	AC486																	
SPJ	104-23																	
TRICLO	113596																	
VALEO	850525																	

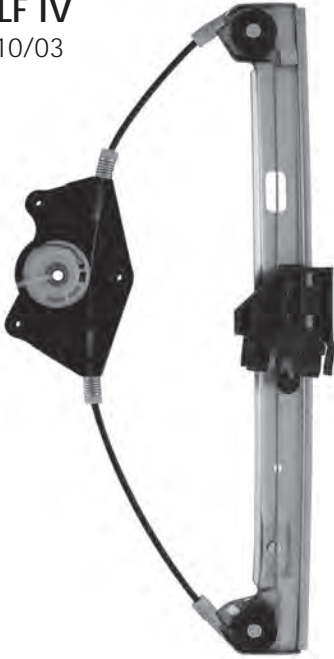
MODELO

CRUCES / O.E.M.

REF. / PUERTA

GOLF IV

98->10/03



AC ROLCAR	01.4867
DOGA	100807
ELECTRIC LIFE	ZR VK713 L
LEMFÖRDER	60.80795.0
LIFT-TEK	LT VK713 L
MAGNETI MARELLI	AC789
TRICLO	113013
VALEO	850810

REF. 1830.0030235



O.E.M.:
VOLKSWAGEN 1J4839461F,
1J4839729J, 1J5839461A

AC ROLCAR	01.4866
DOGA	100808
ELECTRIC LIFE	ZR VK713 R
LEMFÖRDER	60.80796.0
LIFT-TEK	LT VK713 R
MAGNETI MARELLI	AC790
TRICLO	113012
VALEO	850811

REF. 1830.0030236

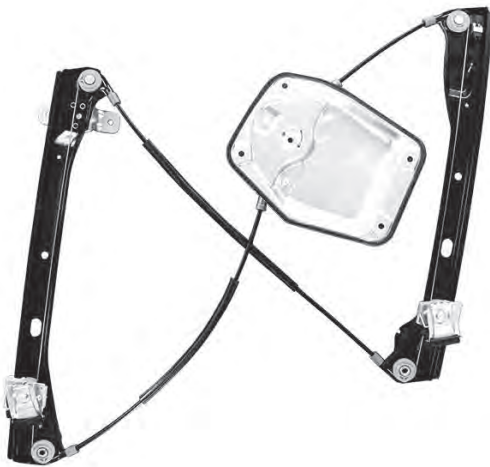


O.E.M.:
VOLKSWAGEN 1J4839462F,
1J4839730J, 1J5839462A

Para vehículos con motor OEM electrónico (con función confort de origen).
For vehicles with electronic OEM motor (confort function).
Pour véhicules avec moteur OEM électronique (fonction confort).
Sólo parte mecánica | Mechanism only | Seulement mécanisme
Eléctrico | Electric | Electrique

GOLF V

11/03->10/08



AC ROLCAR	01.4871
DOGA	101697
ELECTRIC LIFE	ZR VK732 L
LIFT-TEK	LT VK732 L
TRICLO	113741
VALEO	851148

REF. 1830.0030089



O.E.M.:
VOLKSWAGEN 1K3837461B







AC ROLCAR	01.4870
DOGA	101698
ELECTRIC LIFE	ZR VK732 R
LIFT-TEK	LT VK732 R
TRICLO	113740
VALEO	851149

REF. 1830.0030090



O.E.M.:
VOLKSWAGEN 1K3837462B

Para vehículos con motor OEM electrónico (con función confort de origen).
For vehicles with electronic OEM motor (confort function).
Pour véhicules avec moteur OEM électronique (fonction confort).
Sólo parte mecánica | Mechanism only | Seulement mécanisme
Eléctrico | Electric | Electrique

MODELO	CRUCES / O.E.M.	REF. / PUERTA																																
<p>GOLF V 11/03->10/08</p>  <p>Sólo parte mecánica Mechanism only Seulement mécanisme Eléctrico Electric Electrique</p>	<table border="1"> <tr><td>AC ROLCAR</td><td>01.4835</td></tr> <tr><td>DOGA</td><td>100799</td></tr> <tr><td>ELECTRIC LIFE</td><td>ZR VK709 L</td></tr> <tr><td>LEMFÖRDER</td><td>60.80305.0</td></tr> <tr><td>LIFT-TEK</td><td>LT VK709 L</td></tr> <tr><td>MAGNETI MARELLI</td><td>AC715</td></tr> <tr><td>SPJ</td><td>105-24</td></tr> <tr><td>VALEO</td><td>850604</td></tr> </table> <p>O.E.M.: VOLKSWAGEN 1K4837461A</p> <table border="1"> <tr><td>AC ROLCAR</td><td>01.4834</td></tr> <tr><td>DOGA</td><td>100800</td></tr> <tr><td>ELECTRIC LIFE</td><td>ZR VK709 R</td></tr> <tr><td>LEMFÖRDER</td><td>60.80304.0</td></tr> <tr><td>LIFT-TEK</td><td>LT VK709 R</td></tr> <tr><td>MAGNETI MARELLI</td><td>AC716</td></tr> <tr><td>SPJ</td><td>105-23</td></tr> <tr><td>VALEO</td><td>850605</td></tr> </table> <p>O.E.M.: VOLKSWAGEN 1K4837462A</p>	AC ROLCAR	01.4835	DOGA	100799	ELECTRIC LIFE	ZR VK709 L	LEMFÖRDER	60.80305.0	LIFT-TEK	LT VK709 L	MAGNETI MARELLI	AC715	SPJ	105-24	VALEO	850604	AC ROLCAR	01.4834	DOGA	100800	ELECTRIC LIFE	ZR VK709 R	LEMFÖRDER	60.80304.0	LIFT-TEK	LT VK709 R	MAGNETI MARELLI	AC716	SPJ	105-23	VALEO	850605	<p>REF. 1830.0030229</p>  <p>REF. 1830.0030230</p> 
AC ROLCAR	01.4835																																	
DOGA	100799																																	
ELECTRIC LIFE	ZR VK709 L																																	
LEMFÖRDER	60.80305.0																																	
LIFT-TEK	LT VK709 L																																	
MAGNETI MARELLI	AC715																																	
SPJ	105-24																																	
VALEO	850604																																	
AC ROLCAR	01.4834																																	
DOGA	100800																																	
ELECTRIC LIFE	ZR VK709 R																																	
LEMFÖRDER	60.80304.0																																	
LIFT-TEK	LT VK709 R																																	
MAGNETI MARELLI	AC716																																	
SPJ	105-23																																	
VALEO	850605																																	
<p>GOLF V 11/03->10/08</p>  <p>Para vehículos con motor OEM electrónico (con función confort de origen). For vehicles with electronic OEM motor (confort function). Pour véhicules avec moteur OEM électronique (fonction confort). Sólo parte mecánica Mechanism only Seulement mécanisme Eléctrico Electric Electrique</p>	<table border="1"> <tr><td>AC ROLCAR</td><td>01.4851</td></tr> <tr><td>DOGA</td><td>100801</td></tr> <tr><td>ELECTRIC LIFE</td><td>ZR VK710 L</td></tr> <tr><td>LEMFÖRDER</td><td>60.80451.0</td></tr> <tr><td>LIFT-TEK</td><td>LT VK710 L</td></tr> <tr><td>MAGNETI MARELLI</td><td>AC717</td></tr> <tr><td>TRICLO</td><td>113011</td></tr> <tr><td>VALEO</td><td>850606</td></tr> </table> <p>O.E.M.: VOLKSWAGEN 1K4839461B</p> <table border="1"> <tr><td>AC ROLCAR</td><td>01.4850</td></tr> <tr><td>DOGA</td><td>100802</td></tr> <tr><td>ELECTRIC LIFE</td><td>ZR VK710 R</td></tr> <tr><td>LEMFÖRDER</td><td>60.80450.0</td></tr> <tr><td>LIFT-TEK</td><td>LT VK710 R</td></tr> <tr><td>MAGNETI MARELLI</td><td>AC718</td></tr> <tr><td>TRICLO</td><td>113010</td></tr> <tr><td>VALEO</td><td>850607</td></tr> </table> <p>O.E.M.: VOLKSWAGEN 1K4839462B</p>	AC ROLCAR	01.4851	DOGA	100801	ELECTRIC LIFE	ZR VK710 L	LEMFÖRDER	60.80451.0	LIFT-TEK	LT VK710 L	MAGNETI MARELLI	AC717	TRICLO	113011	VALEO	850606	AC ROLCAR	01.4850	DOGA	100802	ELECTRIC LIFE	ZR VK710 R	LEMFÖRDER	60.80450.0	LIFT-TEK	LT VK710 R	MAGNETI MARELLI	AC718	TRICLO	113010	VALEO	850607	<p>REF. 1830.0030231</p>  <p>REF. 1830.0030232</p> 
AC ROLCAR	01.4851																																	
DOGA	100801																																	
ELECTRIC LIFE	ZR VK710 L																																	
LEMFÖRDER	60.80451.0																																	
LIFT-TEK	LT VK710 L																																	
MAGNETI MARELLI	AC717																																	
TRICLO	113011																																	
VALEO	850606																																	
AC ROLCAR	01.4850																																	
DOGA	100802																																	
ELECTRIC LIFE	ZR VK710 R																																	
LEMFÖRDER	60.80450.0																																	
LIFT-TEK	LT VK710 R																																	
MAGNETI MARELLI	AC718																																	
TRICLO	113010																																	
VALEO	850607																																	

MODELO

CRUCES / O.E.M.

REF. / PUERTA

JETTA II
86->



AC ROLCAR	01.4771
DOGA	100775
ELECTRIC LIFE	ZR VK16 L B
LEMFÖRDER	60.30003.0
LIFT-TEK	LT VK16 L B
MAGNETI MARELLI	AC243
SPJ	108-04
VALEO	850440

O.E.M.:
VOLKSWAGEN 191837401C,
191837461A

REF. 1830.0030363



AC ROLCAR	01.4770
DOGA	100776
ELECTRIC LIFE	ZR VK16 R B
LEMFÖRDER	60.30002.0
LIFT-TEK	LT VK16 R B
MAGNETI MARELLI	AC244
SPJ	108-03
VALEO	850441

O.E.M.:
VOLKSWAGEN 191837402C,
191837462A

REF. 1830.0030364



Motor incluido | Motor included | Moteur inclus
Eléctrico | Electric | Electrique

JETTA II
88->



DOGA	110073
ELECTRIC LIFE	ZR VK901 L
LIFT-TEK	LT VK901 L
TRICLO	103669

O.E.M.:
VOLKSWAGEN 191837401B

REF. 1830.30391MA









DOGA	110074
ELECTRIC LIFE	ZR VK901 R
LIFT-TEK	LT VK901 R
TRICLO	103668

O.E.M.:
VOLKSWAGEN 191837402B

REF. 1830.30392MA

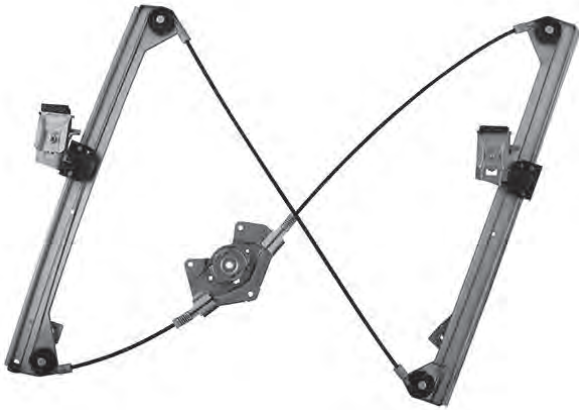


Sólo parte mecánica | Mechanism only | Seulement mécanisme
Manual | Manually | Manuel

MODELO	CRUCES / O.E.M.	REF. / PUERTA																		
<p>LUPO 97-></p>  <p>Para vehículos con motor OEM electrónico (con función confort de origen). For vehicles with electronic OEM motor (confort function). Pour véhicules avec moteur OEM électronique (fonction confort). Sólo parte mecánica Mechanism only Seulement mécanisme Eléctrico Electric Electrique</p>	<table border="1"> <tr><td>DOGA</td><td>100805</td></tr> <tr><td>ELECTRIC LIFE</td><td>ZR VK712 L</td></tr> <tr><td>LIFT-TEK</td><td>LT VK712 L</td></tr> <tr><td>MAGNETI MARELLI</td><td>AC883</td></tr> <tr><td>SPJ</td><td>130-22</td></tr> <tr><td>VALEO</td><td>850706</td></tr> </table> <hr/> <p>O.E.M.: SEAT 6X0959802B</p>	DOGA	100805	ELECTRIC LIFE	ZR VK712 L	LIFT-TEK	LT VK712 L	MAGNETI MARELLI	AC883	SPJ	130-22	VALEO	850706	<p>REF. 1830.0030365</p> 						
DOGA	100805																			
ELECTRIC LIFE	ZR VK712 L																			
LIFT-TEK	LT VK712 L																			
MAGNETI MARELLI	AC883																			
SPJ	130-22																			
VALEO	850706																			
<p>Para vehículos con motor OEM electrónico (con función confort de origen). For vehicles with electronic OEM motor (confort function). Pour véhicules avec moteur OEM électronique (fonction confort). Sólo parte mecánica Mechanism only Seulement mécanisme Eléctrico Electric Electrique</p>	<table border="1"> <tr><td>DOGA</td><td>100806</td></tr> <tr><td>ELECTRIC LIFE</td><td>ZR VK712 R</td></tr> <tr><td>LIFT-TEK</td><td>LT VK712 R</td></tr> <tr><td>MAGNETI MARELLI</td><td>AC884</td></tr> <tr><td>SPJ</td><td>130-21</td></tr> <tr><td>VALEO</td><td>850707</td></tr> </table> <hr/> <p>O.E.M.: SEAT 6X0959801B</p>	DOGA	100806	ELECTRIC LIFE	ZR VK712 R	LIFT-TEK	LT VK712 R	MAGNETI MARELLI	AC884	SPJ	130-21	VALEO	850707	<p>REF. 1830.0030366</p> 						
DOGA	100806																			
ELECTRIC LIFE	ZR VK712 R																			
LIFT-TEK	LT VK712 R																			
MAGNETI MARELLI	AC884																			
SPJ	130-21																			
VALEO	850707																			
<p>NEW BEETLE 98-></p>  <p>Para vehículos con motor OEM electrónico (con función confort de origen). For vehicles with electronic OEM motor (confort function). Pour véhicules avec moteur OEM électronique (fonction confort). Sólo parte mecánica Mechanism only Seulement mécanisme Eléctrico Electric Electrique</p>	<table border="1"> <tr><td>AC ROLCAR</td><td>01.4831</td></tr> <tr><td>DOGA</td><td>100797</td></tr> <tr><td>ELECTRIC LIFE</td><td>ZR VK708L</td></tr> <tr><td>LEMFÖRDER</td><td>60.80309.0</td></tr> <tr><td>LIFT-TEK</td><td>LT VK708L</td></tr> <tr><td>MAGNETI MARELLI</td><td>AC895</td></tr> <tr><td>SPJ</td><td>113-22</td></tr> <tr><td>TRICLO</td><td>113651</td></tr> <tr><td>VALEO</td><td>850562</td></tr> </table> <hr/> <p>O.E.M.: VOLKSWAGEN 1C0837655A, 1C0837655C</p>	AC ROLCAR	01.4831	DOGA	100797	ELECTRIC LIFE	ZR VK708L	LEMFÖRDER	60.80309.0	LIFT-TEK	LT VK708L	MAGNETI MARELLI	AC895	SPJ	113-22	TRICLO	113651	VALEO	850562	<p>REF. 1830.0030227</p> 
AC ROLCAR	01.4831																			
DOGA	100797																			
ELECTRIC LIFE	ZR VK708L																			
LEMFÖRDER	60.80309.0																			
LIFT-TEK	LT VK708L																			
MAGNETI MARELLI	AC895																			
SPJ	113-22																			
TRICLO	113651																			
VALEO	850562																			
<p>Para vehículos con motor OEM electrónico (con función confort de origen). For vehicles with electronic OEM motor (confort function). Pour véhicules avec moteur OEM électronique (fonction confort). Sólo parte mecánica Mechanism only Seulement mécanisme Eléctrico Electric Electrique</p>	<table border="1"> <tr><td>AC ROLCAR</td><td>01.4830</td></tr> <tr><td>DOGA</td><td>100798</td></tr> <tr><td>ELECTRIC LIFE</td><td>ZR VK708R</td></tr> <tr><td>LEMFÖRDER</td><td>60.80308.0</td></tr> <tr><td>LIFT-TEK</td><td>LT VK708R</td></tr> <tr><td>MAGNETI MARELLI</td><td>AC896</td></tr> <tr><td>SPJ</td><td>113-21</td></tr> <tr><td>TRICLO</td><td>113650</td></tr> <tr><td>VALEO</td><td>850563</td></tr> </table> <hr/> <p>O.E.M.: VOLKSWAGEN 1C0837656A, 1C0837656C</p>	AC ROLCAR	01.4830	DOGA	100798	ELECTRIC LIFE	ZR VK708R	LEMFÖRDER	60.80308.0	LIFT-TEK	LT VK708R	MAGNETI MARELLI	AC896	SPJ	113-21	TRICLO	113650	VALEO	850563	<p>REF. 1830.0030228</p> 
AC ROLCAR	01.4830																			
DOGA	100798																			
ELECTRIC LIFE	ZR VK708R																			
LEMFÖRDER	60.80308.0																			
LIFT-TEK	LT VK708R																			
MAGNETI MARELLI	AC896																			
SPJ	113-21																			
TRICLO	113650																			
VALEO	850563																			

MODELO

PASSAT B5
98->02/05



Para vehículos con motor OEM electrónico (con función confort de origen).
For vehicles with electronic OEM motor (confort function).
Pour véhicules avec moteur OEM électronique (fonction confort).
Sólo parte mecánica | Mechanism only | Seulement mécanisme
Eléctrico | Electric | Electrique

CRUCES / O.E.M.

AC ROLCAR	01.4837
DOGA	100791
ELECTRIC LIFE	ZR VK705 L
LEMFÖRDER	60.80307.0
LIFT-TEK	LT VK705 L
MAGNETI MARELLI	AC879
SPJ	115-24
TRICLO	113653
VALEO	850574

O.E.M.:
VOLKSWAGEN 3B1837461

REF. / PUERTA

REF. 1830.0030223



AC ROLCAR	01.4836
DOGA	100792
ELECTRIC LIFE	ZR VK705 R
LEMFÖRDER	60.80306.0
LIFT-TEK	LT VK705 R
MAGNETI MARELLI	AC880
SPJ	115-23
TRICLO	113652
VALEO	850575

O.E.M.:
VOLKSWAGEN 3B1837462

REF. 1830.0030224



PASSAT B5
98->02/05



Para vehículos con motor OEM electrónico (con función confort de origen).
For vehicles with electronic OEM motor (confort function).
Pour véhicules avec moteur OEM électronique (fonction confort).
Sólo parte mecánica | Mechanism only | Seulement mécanisme
Eléctrico | Electric | Electrique

AC ROLCAR	01.4873
DOGA	100793
ELECTRIC LIFE	ZR VK706 L
LEMFÖRDER	60.80347.0
LIFT-TEK	LT VK706 L
MAGNETI MARELLI	AC881
TRICLO	113655
VALEO	850576

O.E.M.:
VOLKSWAGEN 3B9839461A

REF. 1830.0030225



AC ROLCAR	01.4872
DOGA	100794
ELECTRIC LIFE	ZR VK706 R
LEMFÖRDER	60.80346.0
LIFT-TEK	LT VK706 R
MAGNETI MARELLI	AC882
TRICLO	113654
VALEO	850577

O.E.M.:
VOLKSWAGEN 3B9839462A

REF. 1830.0030226



MODELO

PASSAT B6

03/05->12/09



Para vehículos con motor OEM electrónico (con función confort de origen).
For vehicles with electronic OEM motor (confort function).
Pour véhicules avec moteur OEM électronique (fonction confort).
Sólo parte mecánica | Mechanism only | Seulement mécanisme
Eléctrico | Electric | Electrique

CRUCES / O.E.M.

AC ROLCAR	01.4875
DOGA	101199
ELECTRIC LIFE	ZR VK715 L
LEMFÖRDER	60.80925.0
LIFT-TEK	LT VK715 L
MAGNETI MARELLI	AC853
TRICLO	113613
VALEO	850914

O.E.M.:
VOLKSWAGEN 3C1837461H

REF. / PUERTA

REF. 1830.0030251



AC ROLCAR	01.4874
DOGA	101200
ELECTRIC LIFE	ZR VK715 R
LEMFÖRDER	60.80926.0
LIFT-TEK	LT VK715 R
MAGNETI MARELLI	AC854
TRICLO	113612
VALEO	850915

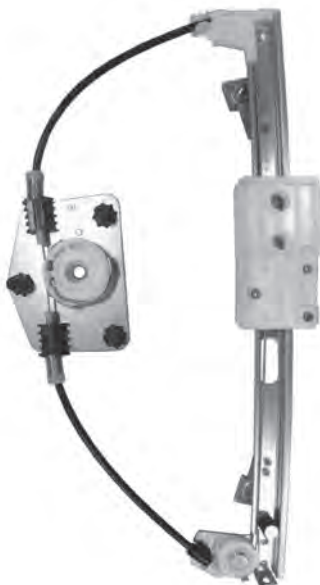
O.E.M.:
VOLKSWAGEN 3C1837462F

REF. 1830.0030252



PASSAT B6

03/05->



Para vehículos con motor OEM electrónico (con función confort de origen).
For vehicles with electronic OEM motor (confort function).
Pour véhicules avec moteur OEM électronique (fonction confort).
Sólo parte mecánica | Mechanism only | Seulement mécanisme
Eléctrico | Electric | Electrique

AC ROLCAR	01.4881
DOGA	101201
ELECTRIC LIFE	ZR VK716 L
LEMFÖRDER	60.80927.0
LIFT-TEK	LT VK716 L
MAGNETI MARELLI	AC855
VALEO	850916

O.E.M.:
VOLKSWAGEN 3C5839461J

REF. 1830.0030493



AC ROLCAR	01.4880
DOGA	101202
ELECTRIC LIFE	ZR VK716 R
LEMFÖRDER	60.80928.0
LIFT-TEK	LT VK716 R
MAGNETI MARELLI	AC856
VALEO	850917

O.E.M.:
VOLKSWAGEN 3C5839462J

REF. 1830.0030494



MODELO

CRUCES / O.E.M.

REF. / PUERTA

POLO II

74->



DOGA	110073
ELECTRIC LIFE	ZR VK901 L
LIFT-TEK	LT VK901 L
TRICLO	103669

O.E.M.:
VOLKSWAGEN 191837401B

REF. 1830.30391MA



DOGA	110074
ELECTRIC LIFE	ZR VK901 R
LIFT-TEK	LT VK901 R
TRICLO	103668

O.E.M.:
VOLKSWAGEN 191837402B

REF. 1830.30392MA



Sólo parte mecánica | Mechanism only | Seulement mécanisme
Manual | Manually | Manuel

POLO III

94->



AC ROLCAR	01.4765
DOGA	100023
ELECTRIC LIFE	ZR VK38 L B
LEMFÖRDER	60.30011.0
LIFT-TEK	LT VK38 L B
MAGNETI MARELLI	AC229
SPJ	116-02
TRICLO	113721
VALEO	850448

O.E.M.:
VOLKSWAGEN 6N3837461,
6N3837461A

REF. 1830.0030359









AC ROLCAR	01.4764
DOGA	100024
ELECTRIC LIFE	ZR VK38 R B
LEMFÖRDER	60.30010.0
LIFT-TEK	LT VK38 R B
MAGNETI MARELLI	AC230
SPJ	116-01
TRICLO	113720
VALEO	850449

O.E.M.:
VOLKSWAGEN 6N3837462,
6N3837462A

REF. 1830.0030360



Motor incluido | Motor included | Moteur inclus
Eléctrico | Electric | Electrique

MODELO	CRUCES / O.E.M.	REF. / PUERTA																		
<p>POLO III 11/94->10/01</p>  <p>Sólo parte mecánica Mechanism only Seulement mécanisme Eléctrico Electric Electrique</p>	<table border="1"> <tr><td>DOGA</td><td>101341</td></tr> <tr><td>ELECTRIC LIFE</td><td>ZR VK743 L</td></tr> <tr><td>LEMFÖRDER</td><td>60.81863.0</td></tr> <tr><td>LIFT-TEK</td><td>LT VK743 L</td></tr> </table> <p>O.E.M.: VOLKSWAGEN 6N3837461</p>	DOGA	101341	ELECTRIC LIFE	ZR VK743 L	LEMFÖRDER	60.81863.0	LIFT-TEK	LT VK743 L	<p>REF. 1830.0030461</p> 										
DOGA	101341																			
ELECTRIC LIFE	ZR VK743 L																			
LEMFÖRDER	60.81863.0																			
LIFT-TEK	LT VK743 L																			
<p>POLO III 94->01</p>  <p>Motor incluido Motor included Moteur inclus Eléctrico Electric Electrique</p>	<table border="1"> <tr><td>AC ROLCAR</td><td>01.4767</td></tr> <tr><td>DOGA</td><td>100787</td></tr> <tr><td>ELECTRIC LIFE</td><td>ZR VK39 L B</td></tr> <tr><td>LEMFÖRDER</td><td>60.30013.0</td></tr> <tr><td>LIFT-TEK</td><td>LT VK39 L B</td></tr> <tr><td>MAGNETI MARELLI</td><td>AC727</td></tr> <tr><td>SPJ</td><td>116-04</td></tr> <tr><td>TRICLO</td><td>113723</td></tr> <tr><td>VALEO</td><td>850450</td></tr> </table> <p>O.E.M.: VOLKSWAGEN 6N4837461</p>	AC ROLCAR	01.4767	DOGA	100787	ELECTRIC LIFE	ZR VK39 L B	LEMFÖRDER	60.30013.0	LIFT-TEK	LT VK39 L B	MAGNETI MARELLI	AC727	SPJ	116-04	TRICLO	113723	VALEO	850450	<p>REF. 1830.0030295</p> 
AC ROLCAR	01.4767																			
DOGA	100787																			
ELECTRIC LIFE	ZR VK39 L B																			
LEMFÖRDER	60.30013.0																			
LIFT-TEK	LT VK39 L B																			
MAGNETI MARELLI	AC727																			
SPJ	116-04																			
TRICLO	113723																			
VALEO	850450																			
<p>POLO III 94->01</p>  <p>Motor incluido Motor included Moteur inclus Eléctrico Electric Electrique</p>	<table border="1"> <tr><td>AC ROLCAR</td><td>01.4766</td></tr> <tr><td>DOGA</td><td>100788</td></tr> <tr><td>ELECTRIC LIFE</td><td>ZR VK39 R B</td></tr> <tr><td>LEMFÖRDER</td><td>60.30012.0</td></tr> <tr><td>LIFT-TEK</td><td>LT VK39 R B</td></tr> <tr><td>MAGNETI MARELLI</td><td>AC728</td></tr> <tr><td>SPJ</td><td>116-03</td></tr> <tr><td>TRICLO</td><td>113722</td></tr> <tr><td>VALEO</td><td>850451</td></tr> </table> <p>O.E.M.: VOLKSWAGEN 6N4837462</p>	AC ROLCAR	01.4766	DOGA	100788	ELECTRIC LIFE	ZR VK39 R B	LEMFÖRDER	60.30012.0	LIFT-TEK	LT VK39 R B	MAGNETI MARELLI	AC728	SPJ	116-03	TRICLO	113722	VALEO	850451	<p>REF. 1830.0030296</p> 
AC ROLCAR	01.4766																			
DOGA	100788																			
ELECTRIC LIFE	ZR VK39 R B																			
LEMFÖRDER	60.30012.0																			
LIFT-TEK	LT VK39 R B																			
MAGNETI MARELLI	AC728																			
SPJ	116-03																			
TRICLO	113722																			
VALEO	850451																			

MODELO

CRUCES / O.E.M.

REF. / PUERTA

POLO III (Classic, Derby)

05/93->02/99



AC ROLCAR	A1.4611
DOGA	100001
ELECTRIC LIFE	ZR ST14 L
LEMFÖRDER	60.27053.0
LIFT-TEK	LT ST14 L
MAGNETI MARELLI	AC211
SPJ	132-04
TRICLO	113713
VALEO	850390

O.E.M.: SEAT / VOLKSWAGEN

6K4837401AA, 6K4837401B,
6K4837401P, 6K4837401S

REF. 1830.0030093



Motor incluido | Motor included | Moteur inclus
Eléctrico | Electric | Electrique

AC ROLCAR	A1.4610
DOGA	100002
ELECTRIC LIFE	ZR ST14 R
LEMFÖRDER	60.27052.0
LIFT-TEK	LT ST14 R
MAGNETI MARELLI	AC222
SPJ	132-03
TRICLO	113712
VALEO	850391

O.E.M.: SEAT / VOLKSWAGEN

6K4837402AA, 6K4837402B,
6K4837402P, 6K4837402S

REF. 1830.0030094



POLO IV

11/01->06/09



AC ROLCAR	01.4839
DOGA	101078
ELECTRIC LIFE	ZR VK714 L
LEMFÖRDER	60.80929.0
LIFT-TEK	LT VK714 L
MAGNETI MARELLI	AC787
TRICLO	113657
VALEO	850812

O.E.M.:
VOLKSWAGEN 6Q3837461G

REF. 1830.0030419



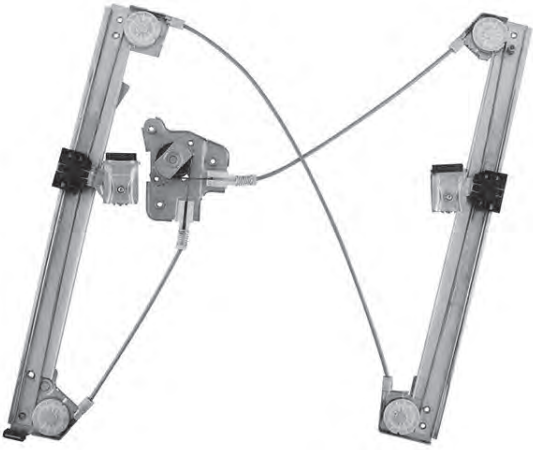





Para vehículos con motor OEM electrónico (con función confort de origen).
For vehicles with electronic OEM motor (confort function).
Pour véhicules avec moteur OEM électronique (fonction confort).
Sólo parte mecánica | Mechanism only | Seulement mécanisme
Eléctrico | Electric | Electrique

AC ROLCAR	01.4838
DOGA	101079
ELECTRIC LIFE	ZR VK714 R
LEMFÖRDER	60.80930.0
LIFT-TEK	LT VK714 R
MAGNETI MARELLI	AC788
TRICLO	113656
VALEO	850813

O.E.M.:
VOLKSWAGEN 6Q3837462G

REF. 1830.0030420



MODELO	CRUCES / O.E.M.	REF. / PUERTA																								
<p>POLO IV 11/01->06/09</p>  <p>Para vehículos con motor OEM electrónico (con función confort de origen). For vehicles with electronic OEM motor (confort function). Pour véhicules avec moteur OEM électronique (fonction confort). Sólo parte mecánica Mechanism only Seulement mécanisme Eléctrico Electric Electrique</p>	<table border="1"> <tr><td>AC ROLCAR</td><td>01.4841</td></tr> <tr><td>DOGA</td><td>100803</td></tr> <tr><td>ELECTRIC LIFE</td><td>ZR VK711 L</td></tr> <tr><td>LEMFÖRDER</td><td>60.80453.0</td></tr> <tr><td>LIFT-TEK</td><td>LT VK711 L</td></tr> <tr><td>MAGNETI MARELLI</td><td>AC719</td></tr> <tr><td>SPJ</td><td>118-04</td></tr> <tr><td>TRICLO</td><td>113598</td></tr> <tr><td>VALEO</td><td>850578</td></tr> </table> <p>O.E.M.: VOLKSWAGEN 6Q4837461G</p>	AC ROLCAR	01.4841	DOGA	100803	ELECTRIC LIFE	ZR VK711 L	LEMFÖRDER	60.80453.0	LIFT-TEK	LT VK711 L	MAGNETI MARELLI	AC719	SPJ	118-04	TRICLO	113598	VALEO	850578	<p>REF. 1830.0030233</p> 						
AC ROLCAR	01.4841																									
DOGA	100803																									
ELECTRIC LIFE	ZR VK711 L																									
LEMFÖRDER	60.80453.0																									
LIFT-TEK	LT VK711 L																									
MAGNETI MARELLI	AC719																									
SPJ	118-04																									
TRICLO	113598																									
VALEO	850578																									
	<table border="1"> <tr><td>AC ROLCAR</td><td>01.4840</td></tr> <tr><td>DOGA</td><td>100804</td></tr> <tr><td>ELECTRIC LIFE</td><td>ZR VK711 R</td></tr> <tr><td>LEMFÖRDER</td><td>60.80452.0</td></tr> <tr><td>LIFT-TEK</td><td>LT VK711 R</td></tr> <tr><td>MAGNETI MARELLI</td><td>AC720</td></tr> <tr><td>SPJ</td><td>118-03</td></tr> <tr><td>TRICLO</td><td>113599</td></tr> <tr><td>VALEO</td><td>850579</td></tr> </table> <p>O.E.M.: VOLKSWAGEN 6Q4837462G</p>	AC ROLCAR	01.4840	DOGA	100804	ELECTRIC LIFE	ZR VK711 R	LEMFÖRDER	60.80452.0	LIFT-TEK	LT VK711 R	MAGNETI MARELLI	AC720	SPJ	118-03	TRICLO	113599	VALEO	850579	<p>REF. 1830.0030234</p> 						
AC ROLCAR	01.4840																									
DOGA	100804																									
ELECTRIC LIFE	ZR VK711 R																									
LEMFÖRDER	60.80452.0																									
LIFT-TEK	LT VK711 R																									
MAGNETI MARELLI	AC720																									
SPJ	118-03																									
TRICLO	113599																									
VALEO	850579																									
<p>SHARAN 96->05</p>  <p>Para vehículos con motor OEM electrónico (con función confort de origen). For vehicles with electronic OEM motor (confort function). Pour véhicules avec moteur OEM électronique (fonction confort). Sólo parte mecánica Mechanism only Seulement mécanisme Eléctrico Electric Electrique</p>	<table border="1"> <tr><td>AC ROLCAR</td><td>01.3045</td></tr> <tr><td>DOGA</td><td>101337</td></tr> <tr><td>ELECTRIC LIFE</td><td>ZR VK725 L</td></tr> <tr><td>LIFT-TEK</td><td>LT VK725 L</td></tr> <tr><td>TRICLO</td><td>113907</td></tr> <tr><td>VALEO</td><td>851106</td></tr> </table> <p>O.E.M.: FORD 1021996, 1107592, 7M0837461</p> <table border="1"> <tr><td>AC ROLCAR</td><td>01.3044</td></tr> <tr><td>DOGA</td><td>101338</td></tr> <tr><td>ELECTRIC LIFE</td><td>ZR VK725 R</td></tr> <tr><td>LIFT-TEK</td><td>LT VK725 R</td></tr> <tr><td>TRICLO</td><td>113906</td></tr> <tr><td>VALEO</td><td>851107</td></tr> </table> <p>O.E.M.: FORD 1021998, 1107591, 7M0837462</p>	AC ROLCAR	01.3045	DOGA	101337	ELECTRIC LIFE	ZR VK725 L	LIFT-TEK	LT VK725 L	TRICLO	113907	VALEO	851106	AC ROLCAR	01.3044	DOGA	101338	ELECTRIC LIFE	ZR VK725 R	LIFT-TEK	LT VK725 R	TRICLO	113906	VALEO	851107	<p>REF. 1830.0030059</p>  <p>REF. 1830.0030060</p> 
AC ROLCAR	01.3045																									
DOGA	101337																									
ELECTRIC LIFE	ZR VK725 L																									
LIFT-TEK	LT VK725 L																									
TRICLO	113907																									
VALEO	851106																									
AC ROLCAR	01.3044																									
DOGA	101338																									
ELECTRIC LIFE	ZR VK725 R																									
LIFT-TEK	LT VK725 R																									
TRICLO	113906																									
VALEO	851107																									

MODELO

CRUCES / O.E.M.

REF. / PUERTA

TOURAN

03->



AC ROLCAR	01.4857
DOGA	101631
ELECTRIC LIFE	ZR VK721 L
LEMFÖRDER	60.81873.0
LIFT-TEK	LT VK721 L
MAGNETI MARELLI	AC1384
TRICLO	113015
VALEO	851126

O.E.M.:
VOLKSWAGEN 1T1837461B

REF. 1830.0030081



AC ROLCAR	01.4856
DOGA	101632
ELECTRIC LIFE	ZR VK721 R
LEMFÖRDER	60.81872.0
LIFT-TEK	LT VK721 R
MAGNETI MARELLI	AC1385
TRICLO	113014
VALEO	851127

O.E.M.:
VOLKSWAGEN 1T1837462B

REF. 1830.0030082



Para vehículos con motor OEM electrónico (con función confort de origen).
For vehicles with electronic OEM motor (confort function).
Pour véhicules avec moteur OEM électronique (fonction confort).
Sólo parte mecánica | Mechanism only | Seulement mécanisme
Eléctrico | Electric | Electrique

TOURAN

03->



AC ROLCAR	
DOGA	101633
ELECTRIC LIFE	ZR VK722 L
LEMFÖRDER	60.81875.0
LIFT-TEK	LT VK722 L
MAGNETI MARELLI	AC1386
VALEO	851128

O.E.M.:
VOLKSWAGEN 1T0839461L

REF. 1830.0030345





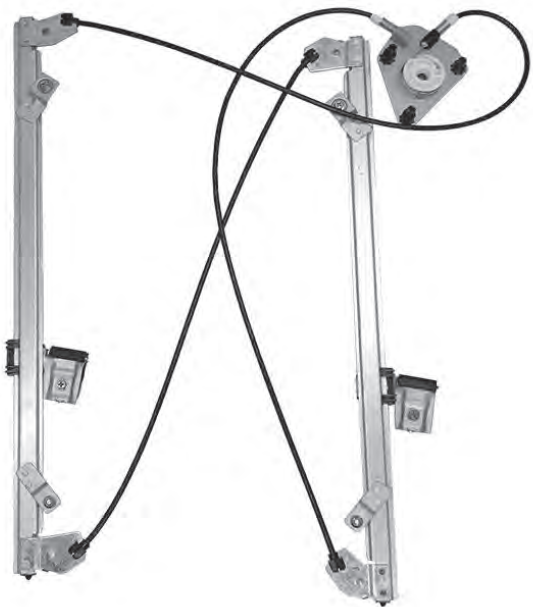

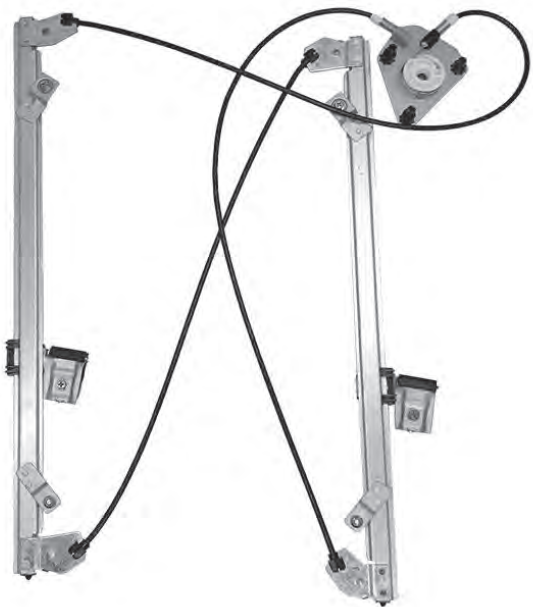

DOGA	101634
ELECTRIC LIFE	ZR VK722 R
LEMFÖRDER	60.81874.0
LIFT-TEK	LT VK722 R
MAGNETI MARELLI	AC1387
VALEO	851129

O.E.M.:
VOLKSWAGEN 1T0839462L

REF. 1830.0030346



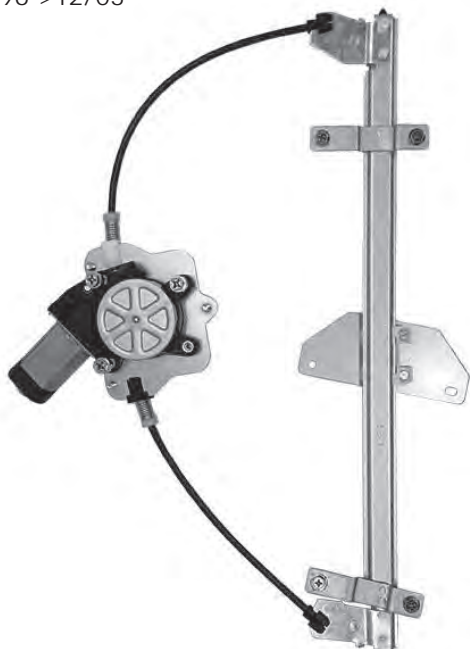
Para vehículos con motor OEM electrónico (con función confort de origen).
For vehicles with electronic OEM motor (confort function).
Pour véhicules avec moteur OEM électronique (fonction confort).
Sólo parte mecánica | Mechanism only | Seulement mécanisme
Eléctrico | Electric | Electrique

MODELO	CRUCES / O.E.M.	REF. / PUERTA																		
<p>TRANSPORTER T4 90-></p>  <p>Motor incluido Motor included Moteur inclus Eléctrico Electric Electrique</p>	<table border="1"> <tr><td>AC ROLCAR</td><td>01.4759</td></tr> <tr><td>DOGA</td><td>100777</td></tr> <tr><td>ELECTRIC LIFE</td><td>ZR VK23 L B</td></tr> <tr><td>LEMFÖRDER</td><td>64.30023.0</td></tr> <tr><td>LIFT-TEK</td><td>LT VK23 L B</td></tr> <tr><td>MAGNETI MARELLI</td><td>AC407</td></tr> <tr><td>SPJ</td><td>121-02</td></tr> <tr><td>TRICLO</td><td>113969</td></tr> <tr><td>VALEO</td><td>850442</td></tr> </table> <p>O.E.M.: VOLKSWAGEN 701837461A (1990>1993), 701837501B (1994>1998), 701837501F (1999>), 701837461B</p>	AC ROLCAR	01.4759	DOGA	100777	ELECTRIC LIFE	ZR VK23 L B	LEMFÖRDER	64.30023.0	LIFT-TEK	LT VK23 L B	MAGNETI MARELLI	AC407	SPJ	121-02	TRICLO	113969	VALEO	850442	<p>REF. 1830.0030325</p> 
AC ROLCAR	01.4759																			
DOGA	100777																			
ELECTRIC LIFE	ZR VK23 L B																			
LEMFÖRDER	64.30023.0																			
LIFT-TEK	LT VK23 L B																			
MAGNETI MARELLI	AC407																			
SPJ	121-02																			
TRICLO	113969																			
VALEO	850442																			
<p>TRANSPORTER T5 07/03->12/08</p>  <p>Sólo parte mecánica Mechanism only Seulement mécanisme Eléctrico Electric Electrique</p>	<table border="1"> <tr><td>AC ROLCAR</td><td>01.5115</td></tr> <tr><td>DOGA</td><td>101635</td></tr> <tr><td>ELECTRIC LIFE</td><td>ZR VK720 L</td></tr> <tr><td>LIFT-TEK</td><td>LT VK720 L</td></tr> <tr><td>MAGNETI MARELLI</td><td>AC1263</td></tr> <tr><td>TRICLO</td><td>113749</td></tr> <tr><td>VALEO</td><td>851084</td></tr> </table> <p>O.E.M.: VOLKSWAGEN 7H0837753B</p>	AC ROLCAR	01.5115	DOGA	101635	ELECTRIC LIFE	ZR VK720 L	LIFT-TEK	LT VK720 L	MAGNETI MARELLI	AC1263	TRICLO	113749	VALEO	851084	<p>REF. 1830.0030083</p> 				
AC ROLCAR	01.5115																			
DOGA	101635																			
ELECTRIC LIFE	ZR VK720 L																			
LIFT-TEK	LT VK720 L																			
MAGNETI MARELLI	AC1263																			
TRICLO	113749																			
VALEO	851084																			
<p>TRANSPORTER T5 07/03->12/08</p>  <p>Sólo parte mecánica Mechanism only Seulement mécanisme Eléctrico Electric Electrique</p>	<table border="1"> <tr><td>AC ROLCAR</td><td>01.5114</td></tr> <tr><td>DOGA</td><td>101636</td></tr> <tr><td>ELECTRIC LIFE</td><td>ZR VK720 R</td></tr> <tr><td>LIFT-TEK</td><td>LT VK720 R</td></tr> <tr><td>MAGNETI MARELLI</td><td>AC1264</td></tr> <tr><td>TRICLO</td><td>113748</td></tr> <tr><td>VALEO</td><td>851085</td></tr> </table> <p>O.E.M.: VOLKSWAGEN 7H0837754B</p>	AC ROLCAR	01.5114	DOGA	101636	ELECTRIC LIFE	ZR VK720 R	LIFT-TEK	LT VK720 R	MAGNETI MARELLI	AC1264	TRICLO	113748	VALEO	851085	<p>REF. 1830.0030084</p> 				
AC ROLCAR	01.5114																			
DOGA	101636																			
ELECTRIC LIFE	ZR VK720 R																			
LIFT-TEK	LT VK720 R																			
MAGNETI MARELLI	AC1264																			
TRICLO	113748																			
VALEO	851085																			

MODELO

S40

04/96->12/03



Motor incluido | Motor included | Moteur inclus
Eléctrico | Electric | Electrique

CRUCES / O.E.M.

AC ROLCAR	01.4915
DOGA	100817
ELECTRIC LIFE	ZR VL15 L
LEMFÖRDER	60.60009.0
LIFT-TEK	LT VL15 L
MAGNETI MARELLI	AC253
SPJ	755-04
TRICLO	118201
VALEO	850466

O.E.M.:
VOLVO 30896809, 30860191,
30865716

REF. / PUERTA

REF. 1830.0030237



AC ROLCAR	01.4914
DOGA	100818
ELECTRIC LIFE	ZR VL15 R
LEMFÖRDER	60.60008.0
LIFT-TEK	LT VL15 R
MAGNETI MARELLI	AC254
SPJ	755-03
TRICLO	118200
VALEO	850467

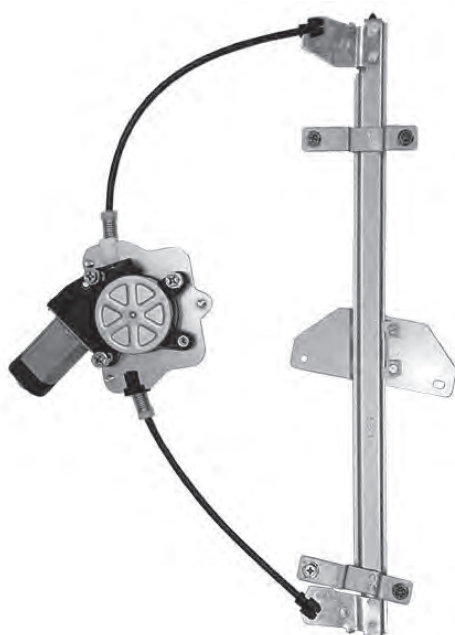
O.E.M.:
VOLVO 30860192, 30865717,
30896810

REF. 1830.0030238



V40

04/96->12/03



Motor incluido | Motor included | Moteur inclus
Eléctrico | Electric | Electrique

AC ROLCAR	01.4915
DOGA	100817
ELECTRIC LIFE	ZR VL15 L
LEMFÖRDER	60.60009.0
LIFT-TEK	LT VL15 L
MAGNETI MARELLI	AC253
SPJ	755-04
TRICLO	118201
VALEO	850466

O.E.M.:
VOLVO 30896809, 30860191,
30865716

REF. 1830.0030237



AC ROLCAR	01.4914
DOGA	100818
ELECTRIC LIFE	ZR VL15 R
LEMFÖRDER	60.60008.0
LIFT-TEK	LT VL15 R
MAGNETI MARELLI	AC254
SPJ	755-03
TRICLO	118200
VALEO	850467

O.E.M.:
VOLVO 30860192, 30865717,
30896810

REF. 1830.0030238



Elevalunas para vehículo industrial

Lista de aplicaciones

POR MARCA Y MODELO DE VEHÍCULO

Application lists | Listes d'affectations | Liste di applicazione | Listas da aplicação



CAMIÓN | HEAVY DUTY | CAMION | CAMINHÃO

MODELO

CRUCES / O.E.M.

REF. / PUERTA

LF



AC ROLCAR	01.4987
DOGA	120003
ELECTRIC LIFE	ZR ZA124 L
LEMFÖRDER	65.81372.0
LIFT-TEK	LT ZA124 L
MAGNETI MARELLI	AC987
VALEO	850950

REF. 1830.0040011



O.E.M.: DAF 1400753
 RENAULT TRUCK 5010301993
 VOLVO TRUCKS 7482497193

AC ROLCAR	01.4986
DOGA	120004
ELECTRIC LIFE	ZR ZA124 R
LEMFÖRDER	65.81373.0
LIFT-TEK	LT ZA124 R
MAGNETI MARELLI	AC988
VALEO	850951

REF. 1830.0040012



O.E.M.: DAF 1400754
 RENAULT TRUCK 5010301994
 VOLVO TRUCKS 7482497194

Motor incluido | Motor included | Moteur inclus
 Eléctrico | Electric | Electrique

XF



AC ROLCAR	01.4981
DOGA	120023
ELECTRIC LIFE	ZR ZA126 L
LEMFÖRDER	65.80388.0
LIFT-TEK	LT ZA126 L
MAGNETI MARELLI	AC995

REF. 1830.0040009



O.E.M.:
 DAF 1354702

DOGA	120024
ELECTRIC LIFE	ZR ZA126 R
LEMFÖRDER	65.80389.0
LIFT-TEK	LT ZA126 R
MAGNETI MARELLI	AC996









REF. 1830.0040010



O.E.M.:
 DAF 1354703

Motor incluido | Motor included | Moteur inclus
 Eléctrico | Electric | Electrique

CAMIÓN | HEAVY DUTY | CAMION | CAMINHÃO

MODELO	CRUCES / O.E.M.	REF. / PUERTA												
<p>EUROCARGO 91-></p>  <p>Motor incluido Motor included Moteur inclus Eléctrico Electric Electrique</p>	<table border="1"> <tr><td>DOGA</td><td>100831</td></tr> <tr><td>ELECTRIC LIFE</td><td>ZR ZA19 L</td></tr> <tr><td>LEMFÖRDER</td><td>65.75005.0</td></tr> <tr><td>LIFT-TEK</td><td>LT ZA19 L</td></tr> <tr><td>MAGNETI MARELLI</td><td>AC082</td></tr> <tr><td>VALEO</td><td>850482</td></tr> </table> <p>O.E.M.: IVECO 2997196, 98407722, 99487781</p>	DOGA	100831	ELECTRIC LIFE	ZR ZA19 L	LEMFÖRDER	65.75005.0	LIFT-TEK	LT ZA19 L	MAGNETI MARELLI	AC082	VALEO	850482	<p>REF. 1830.0040007</p> 
DOGA	100831													
ELECTRIC LIFE	ZR ZA19 L													
LEMFÖRDER	65.75005.0													
LIFT-TEK	LT ZA19 L													
MAGNETI MARELLI	AC082													
VALEO	850482													
<p>STRALIS 91-></p>  <p>Motor incluido Motor included Moteur inclus Eléctrico Electric Electrique</p>	<table border="1"> <tr><td>DOGA</td><td>100831</td></tr> <tr><td>ELECTRIC LIFE</td><td>ZR ZA19 L</td></tr> <tr><td>LEMFÖRDER</td><td>65.75005.0</td></tr> <tr><td>LIFT-TEK</td><td>LT ZA19 L</td></tr> <tr><td>MAGNETI MARELLI</td><td>AC082</td></tr> <tr><td>VALEO</td><td>850482</td></tr> </table> <p>O.E.M.: IVECO 2997196, 98407722, 99487781</p>	DOGA	100831	ELECTRIC LIFE	ZR ZA19 L	LEMFÖRDER	65.75005.0	LIFT-TEK	LT ZA19 L	MAGNETI MARELLI	AC082	VALEO	850482	<p>REF. 1830.0040007</p> 
DOGA	100831													
ELECTRIC LIFE	ZR ZA19 L													
LEMFÖRDER	65.75005.0													
LIFT-TEK	LT ZA19 L													
MAGNETI MARELLI	AC082													
VALEO	850482													
<p>EUROCARGO 91-></p>  <p>Motor incluido Motor included Moteur inclus Eléctrico Electric Electrique</p>	<table border="1"> <tr><td>DOGA</td><td>100832</td></tr> <tr><td>ELECTRIC LIFE</td><td>ZR ZA19 R</td></tr> <tr><td>LEMFÖRDER</td><td>65.75005.0</td></tr> <tr><td>LIFT-TEK</td><td>LT ZA19 R</td></tr> <tr><td>MAGNETI MARELLI</td><td>AC083</td></tr> <tr><td>VALEO</td><td>850483</td></tr> </table> <p>O.E.M.: IVECO 2997195, 98407721, 99487780</p>	DOGA	100832	ELECTRIC LIFE	ZR ZA19 R	LEMFÖRDER	65.75005.0	LIFT-TEK	LT ZA19 R	MAGNETI MARELLI	AC083	VALEO	850483	<p>REF. 1830.0040008</p> 
DOGA	100832													
ELECTRIC LIFE	ZR ZA19 R													
LEMFÖRDER	65.75005.0													
LIFT-TEK	LT ZA19 R													
MAGNETI MARELLI	AC083													
VALEO	850483													
<p>STRALIS 91-></p>  <p>Motor incluido Motor included Moteur inclus Eléctrico Electric Electrique</p>	<table border="1"> <tr><td>DOGA</td><td>100832</td></tr> <tr><td>ELECTRIC LIFE</td><td>ZR ZA19 R</td></tr> <tr><td>LEMFÖRDER</td><td>65.75005.0</td></tr> <tr><td>LIFT-TEK</td><td>LT ZA19 R</td></tr> <tr><td>MAGNETI MARELLI</td><td>AC083</td></tr> <tr><td>VALEO</td><td>850483</td></tr> </table> <p>O.E.M.: IVECO 2997195, 98407721, 99487780</p>	DOGA	100832	ELECTRIC LIFE	ZR ZA19 R	LEMFÖRDER	65.75005.0	LIFT-TEK	LT ZA19 R	MAGNETI MARELLI	AC083	VALEO	850483	<p>REF. 1830.0040008</p> 
DOGA	100832													
ELECTRIC LIFE	ZR ZA19 R													
LEMFÖRDER	65.75005.0													
LIFT-TEK	LT ZA19 R													
MAGNETI MARELLI	AC083													
VALEO	850483													

CAMIÓN | HEAVY DUTY | CAMION | CAMINHÃO

MODELO

EUROTECH, EUROTRAKKER



Sólo parte mecánica | Mechanism only | Seulement mécanisme
Manual | Manually | Manuel

CRUCES / O.E.M.

ELECTRIC LIFE	ZR ZA910 L
LEMFÖRDER	65.80367.0
LIFT-TEK	LT ZA910 L

O.E.M.:
IVECO 98407740, 98407744

ELECTRIC LIFE	ZR ZA910 R
LEMFÖRDER	65.80366.0
LIFT-TEK	LT ZA910 R

O.E.M.:
IVECO 98407741, 98407743

REF. / PUERTA

REF. 1830.40017MA



REF. 1830.40018MA



CAMIÓN | HEAVY DUTY | CAMION | CAMINHÃO

MODELO

ACTROS SERIE 1

01/99->03/08



Motor incluido | Motor included | Moteur inclus
Eléctrico | Electric | Electrique

CRUCES / O.E.M.

DOGA	120019
ELECTRIC LIFE	ZR ZA61 L
LEMFÖRDER	65.80384.0
LIFT-TEK	LT ZA61 L
MAGNETI MARELLI	AC929
VALEO	850964

O.E.M.:
MERCEDES BENZ 0007250002

REF. / PUERTA

REF. 1830.0040003



DOGA	120020
ELECTRIC LIFE	ZR ZA61 R
LEMFÖRDER	65.80385.0
LIFT-TEK	LT ZA61 R
MAGNETI MARELLI	AC930
VALEO	850965

O.E.M.:
MERCEDES BENZ 0007250102

REF. 1830.0040004



ATEGO



Motor incluido | Motor included | Moteur inclus
Eléctrico | Electric | Electrique

DOGA	120011
ELECTRIC LIFE	ZR ZA48 L
LEMFÖRDER	65.80376.0
LIFT-TEK	LT ZA48 L
MAGNETI MARELLI	AC981
VALEO	850956

O.E.M.:
MERCEDES BENZ 9737200346

REF. 1830.0040005



AC ROLCAR	01.4392
DOGA	120012
ELECTRIC LIFE	ZR ZA48 R
LEMFÖRDER	65.80377.0
LIFT-TEK	LT ZA48 R
MAGNETI MARELLI	AC982
VALEO	850957

O.E.M.:
MERCEDES BENZ 9737200446

REF. 1830.0040006



CAMIÓN | HEAVY DUTY | CAMION | CAMINHÃO
MODELO
CRUCES / O.E.M.
REF. / PUERTA
KERAX


Motor incluido | Motor included | Moteur inclus
 Eléctrico | Electric | Electrique

AC ROLCAR	01.4987
DOGA	120003
ELECTRIC LIFE	ZR ZA124 L
LEMFÖRDER	65.81372.0
LIFT-TEK	LT ZA124 L
MAGNETI MARELLI	AC987
VALEO	850950

O.E.M.: DAF 1400753
 RENAULT TRUCK 5010301993
 VOLVO TRUCKS 7482497193

REF. 1830.0040011


AC ROLCAR	01.4986
DOGA	120004
ELECTRIC LIFE	ZR ZA124 R
LEMFÖRDER	65.81373.0
LIFT-TEK	LT ZA124 R
MAGNETI MARELLI	AC988
VALEO	850951

O.E.M.: DAF 1400754
 RENAULT TRUCK 5010301994
 VOLVO TRUCKS 7482497194

REF. 1830.0040012

MASCOTT

98->06



Motor incluido | Motor included | Moteur inclus
 Eléctrico | Electric | Electrique

AC ROLCAR	01.2509
DOGA	100697
ELECTRIC LIFE	ZR ZA29 L
LEMFÖRDER	64.09187.0
LIFT-TEK	LT ZA29 L
MAGNETI MARELLI	AC341
VALEO	850494

O.E.M.: IVECO 500314229,
 504173868 OPEL 4500492
 RENAULT 7700352494, 8200162708







REF. 1830.0040013


AC ROLCAR	01.2508
DOGA	100698
ELECTRIC LIFE	ZR ZA29 R
LEMFÖRDER	64.09186.0
LIFT-TEK	LT ZA29 R
MAGNETI MARELLI	AC342
VALEO	850495

O.E.M.: IVECO 500314230,
 504173866 OPEL 4500493
 RENAULT 7700352495, 8200162710

REF. 1830.0040014


CAMIÓN | HEAVY DUTY | CAMION | CAMINHÃO

MODELO	CRUCES / O.E.M.	REF. / PUERTA														
<p>MIDLUM</p>  <p>Motor incluido Motor included Moteur inclus Eléctrico Electric Electrique</p>	<table border="1"> <tr><td>AC ROLCAR</td><td>01.4987</td></tr> <tr><td>DOGA</td><td>120003</td></tr> <tr><td>ELECTRIC LIFE</td><td>ZR ZA124 L</td></tr> <tr><td>LEMFÖRDER</td><td>65.81372.0</td></tr> <tr><td>LIFT-TEK</td><td>LT ZA124 L</td></tr> <tr><td>MAGNETI MARELLI</td><td>AC987</td></tr> <tr><td>VALEO</td><td>850950</td></tr> </table> <hr/> <p>O.E.M.: DAF 1400753 RENAULT TRUCK 5010301993 VOLVO TRUCKS 7482497193</p>	AC ROLCAR	01.4987	DOGA	120003	ELECTRIC LIFE	ZR ZA124 L	LEMFÖRDER	65.81372.0	LIFT-TEK	LT ZA124 L	MAGNETI MARELLI	AC987	VALEO	850950	<p>REF. 1830.0040011</p> 
AC ROLCAR	01.4987															
DOGA	120003															
ELECTRIC LIFE	ZR ZA124 L															
LEMFÖRDER	65.81372.0															
LIFT-TEK	LT ZA124 L															
MAGNETI MARELLI	AC987															
VALEO	850950															
<p>PREMIUM</p>  <p>Motor incluido Motor included Moteur inclus Eléctrico Electric Electrique</p>	<table border="1"> <tr><td>AC ROLCAR</td><td>01.4987</td></tr> <tr><td>DOGA</td><td>120003</td></tr> <tr><td>ELECTRIC LIFE</td><td>ZR ZA124 L</td></tr> <tr><td>LEMFÖRDER</td><td>65.81372.0</td></tr> <tr><td>LIFT-TEK</td><td>LT ZA124 L</td></tr> <tr><td>MAGNETI MARELLI</td><td>AC987</td></tr> <tr><td>VALEO</td><td>850950</td></tr> </table> <hr/> <p>O.E.M.: DAF 1400753 RENAULT TRUCK 5010301993 VOLVO TRUCKS 7482497193</p>	AC ROLCAR	01.4987	DOGA	120003	ELECTRIC LIFE	ZR ZA124 L	LEMFÖRDER	65.81372.0	LIFT-TEK	LT ZA124 L	MAGNETI MARELLI	AC987	VALEO	850950	<p>REF. 1830.0040011</p> 
AC ROLCAR	01.4987															
DOGA	120003															
ELECTRIC LIFE	ZR ZA124 L															
LEMFÖRDER	65.81372.0															
LIFT-TEK	LT ZA124 L															
MAGNETI MARELLI	AC987															
VALEO	850950															
<p>PREMIUM</p>  <p>Motor incluido Motor included Moteur inclus Eléctrico Electric Electrique</p>	<table border="1"> <tr><td>AC ROLCAR</td><td>01.4986</td></tr> <tr><td>DOGA</td><td>120004</td></tr> <tr><td>ELECTRIC LIFE</td><td>ZR ZA124 R</td></tr> <tr><td>LEMFÖRDER</td><td>65.81373.0</td></tr> <tr><td>LIFT-TEK</td><td>LT ZA124 R</td></tr> <tr><td>MAGNETI MARELLI</td><td>AC988</td></tr> <tr><td>VALEO</td><td>850951</td></tr> </table> <hr/> <p>O.E.M.: DAF 1400754, RENAULT TRUCK 5010301994 VOLVO TRUCKS 7482497194</p>	AC ROLCAR	01.4986	DOGA	120004	ELECTRIC LIFE	ZR ZA124 R	LEMFÖRDER	65.81373.0	LIFT-TEK	LT ZA124 R	MAGNETI MARELLI	AC988	VALEO	850951	<p>REF. 1830.0040012</p> 
AC ROLCAR	01.4986															
DOGA	120004															
ELECTRIC LIFE	ZR ZA124 R															
LEMFÖRDER	65.81373.0															
LIFT-TEK	LT ZA124 R															
MAGNETI MARELLI	AC988															
VALEO	850951															

CAMIÓN | HEAVY DUTY | CAMION | CAMINHÃO

MODELO

SERIE 4 (94, 114, 124, 144), SERIE R
 96->04



Motor incluido | Motor included | Moteur inclus
 Eléctrico | Electric | Electrique

CRUCES / O.E.M.

AC ROLCAR	01.3103
DOGA	120041
ELECTRIC LIFE	ZR SC01 L
LEMFÖRDER	65.81741.0
LIFT-TEK	LT SC01 L
MAGNETI MARELLI	AC1465
VALEO	851086

O.E.M.:
SCANIA 1366849, 1442294

AC ROLCAR	01.3102
DOGA	120042
ELECTRIC LIFE	ZR SC01 R
LEMFÖRDER	65.81740.0
LIFT-TEK	LT SC01 R
MAGNETI MARELLI	AC1466
VALEO	851087

O.E.M.:
SCANIA 1366850, 1442295

REF. / PUERTA

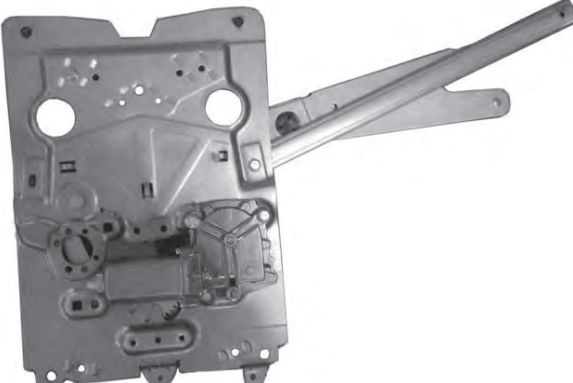





REF. 1830.0040001



REF. 1830.0040002



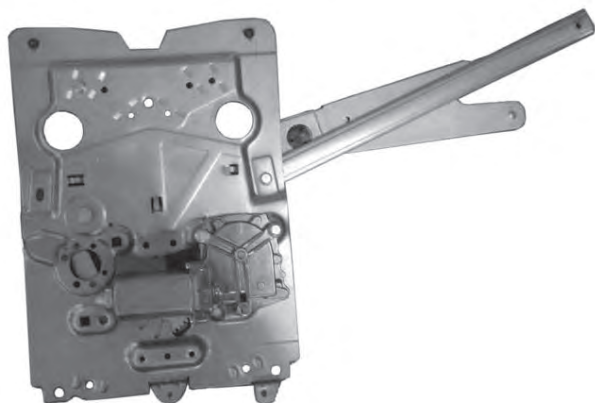
CAMIÓN | HEAVY DUTY | CAMION | CAMINHÃO

MODELO	CRUCES / O.E.M.	REF. / PUERTA														
<p>FH</p>  <p>Motor incluido Motor included Moteur inclus Eléctrico Electric Electrique</p>	<table border="1"> <tr><td>AC ROLCAR</td><td>01.4941</td></tr> <tr><td>DOGA</td><td>120017</td></tr> <tr><td>ELECTRIC LIFE</td><td>ZR ZA50 L</td></tr> <tr><td>LEMFÖRDER</td><td>65.80382.0</td></tr> <tr><td>LIFT-TEK</td><td>LT ZA50 L</td></tr> <tr><td>MAGNETI MARELLI</td><td>AC985</td></tr> <tr><td>VALEO</td><td>850962</td></tr> </table> <hr/> <p>O.E.M.: VOLVO 3176541</p>	AC ROLCAR	01.4941	DOGA	120017	ELECTRIC LIFE	ZR ZA50 L	LEMFÖRDER	65.80382.0	LIFT-TEK	LT ZA50 L	MAGNETI MARELLI	AC985	VALEO	850962	<p>REF. 1830.0040015</p> 
AC ROLCAR	01.4941															
DOGA	120017															
ELECTRIC LIFE	ZR ZA50 L															
LEMFÖRDER	65.80382.0															
LIFT-TEK	LT ZA50 L															
MAGNETI MARELLI	AC985															
VALEO	850962															
	<table border="1"> <tr><td>AC ROLCAR</td><td>01.4940</td></tr> <tr><td>DOGA</td><td>120018</td></tr> <tr><td>ELECTRIC LIFE</td><td>ZR ZA50 R</td></tr> <tr><td>LEMFÖRDER</td><td>65.80383.0</td></tr> <tr><td>LIFT-TEK</td><td>LT ZA50 R</td></tr> <tr><td>MAGNETI MARELLI</td><td>AC986</td></tr> <tr><td>VALEO</td><td>850963</td></tr> </table> <hr/> <p>O.E.M.: VOLVO 3176542</p>	AC ROLCAR	01.4940	DOGA	120018	ELECTRIC LIFE	ZR ZA50 R	LEMFÖRDER	65.80383.0	LIFT-TEK	LT ZA50 R	MAGNETI MARELLI	AC986	VALEO	850963	<p>REF. 1830.0040016</p> 
AC ROLCAR	01.4940															
DOGA	120018															
ELECTRIC LIFE	ZR ZA50 R															
LEMFÖRDER	65.80383.0															
LIFT-TEK	LT ZA50 R															
MAGNETI MARELLI	AC986															
VALEO	850963															
<p>FL II</p>  <p>Motor incluido Motor included Moteur inclus Eléctrico Electric Electrique</p>	<table border="1"> <tr><td>AC ROLCAR</td><td>01.4987</td></tr> <tr><td>DOGA</td><td>120003</td></tr> <tr><td>ELECTRIC LIFE</td><td>ZR ZA124 L</td></tr> <tr><td>LEMFÖRDER</td><td>65.81372.0</td></tr> <tr><td>LIFT-TEK</td><td>LT ZA124 L</td></tr> <tr><td>MAGNETI MARELLI</td><td>AC987</td></tr> <tr><td>VALEO</td><td>850950</td></tr> </table> <hr/> <p>O.E.M.: DAF 1400753 RENAULT TRUCK 5010301993 VOLVO TRUCKS 7482497193</p>	AC ROLCAR	01.4987	DOGA	120003	ELECTRIC LIFE	ZR ZA124 L	LEMFÖRDER	65.81372.0	LIFT-TEK	LT ZA124 L	MAGNETI MARELLI	AC987	VALEO	850950	<p>REF. 1830.0040011</p> 
AC ROLCAR	01.4987															
DOGA	120003															
ELECTRIC LIFE	ZR ZA124 L															
LEMFÖRDER	65.81372.0															
LIFT-TEK	LT ZA124 L															
MAGNETI MARELLI	AC987															
VALEO	850950															
	<table border="1"> <tr><td>AC ROLCAR</td><td>01.4986</td></tr> <tr><td>DOGA</td><td>120004</td></tr> <tr><td>ELECTRIC LIFE</td><td>ZR ZA124 R</td></tr> <tr><td>LEMFÖRDER</td><td>65.81373.0</td></tr> <tr><td>LIFT-TEK</td><td>LT ZA124 R</td></tr> <tr><td>MAGNETI MARELLI</td><td>AC988</td></tr> <tr><td>VALEO</td><td>850951</td></tr> </table> <hr/> <p>O.E.M.: DAF 1400754 RENAULT TRUCK 5010301994 VOLVO TRUCKS 7482497194</p>	AC ROLCAR	01.4986	DOGA	120004	ELECTRIC LIFE	ZR ZA124 R	LEMFÖRDER	65.81373.0	LIFT-TEK	LT ZA124 R	MAGNETI MARELLI	AC988	VALEO	850951	<p>REF. 1830.0040012</p> 
AC ROLCAR	01.4986															
DOGA	120004															
ELECTRIC LIFE	ZR ZA124 R															
LEMFÖRDER	65.81373.0															
LIFT-TEK	LT ZA124 R															
MAGNETI MARELLI	AC988															
VALEO	850951															

CAMIÓN | HEAVY DUTY | CAMION | CAMINHÃO

MODELO

FM



Motor incluido | Motor included | Moteur inclus
Eléctrico | Electric | Electrique

CRUCES / O.E.M.

AC ROLCAR	01.4941
DOGA	120017
ELECTRIC LIFE	ZR ZA50 L
LEMFÖRDER	65.80382.0
LIFT-TEK	LT ZA50 L
MAGNETI MARELLI	AC985
VALEO	850962

O.E.M.:
VOLVO 3176541

AC ROLCAR	01.4940
DOGA	120018
ELECTRIC LIFE	ZR ZA50 R
LEMFÖRDER	65.80383.0
LIFT-TEK	LT ZA50 R
MAGNETI MARELLI	AC986
VALEO	850963

O.E.M.:
VOLVO 3176542

REF. / PUERTA

REF. 1830.0040015



REF. 1830.0040016





KSH	AC ROLCAR	DOGA	ELECTRIC LIFE	LEMFÖRDER	LIFT-TEK	M.MARELLI	SPJ	TRICLO	VALEO
AUTOMÓVIL									
1830.0030001	01.3943	100403	ZR LR21 L	63.80329.0	LT LR21 L	AC905	745-06	111861	851154
1830.0030002	01.3942	100404	ZR LR21 R	63.80328.0	LT LR21 R	AC906	745-05	111860	851155
1830.0030003	01.4301	100415	ZR ME34 L	60.10003.0	LT ME34 L	AC201		111047	850242
1830.0030004	01.4300	100416	ZR ME34 R	60.10002.0	LT ME34 R	AC202		111046	850243
1830.0030005	01.4311	100427	ZR ME63 LB	64.10001.0	LT ME63 LB	AC353	712-04	111096	850248
1830.0030006	01.4310	100428	ZR ME63 RB	64.10000.0	LT ME63 RB	AC354	712-03	111095	850249
1830.0030007	01.4341	100433	ZR ME701 L	60.80287.0	LT ME701 L	AC1171	713-24		850590
1830.0030008	01.4340	100434	ZR ME701 R	60.80286.0	LT ME701 R	AC1172	713-23		850591
1830.0030009	01.4343	100435	ZR ME702 L	60.80331.0	LT ME702 L	AC1173	713-26	111381	850592
1830.0030010	01.4342	100436	ZR ME702 R	60.80330.0	LT ME702 R	AC1174	713-25	111380	850593
1830.0030011	01.7151	100445	ZR MI32 L B	63.47003.0	LT MI32 L B	AC365		111175	850260
1830.0030012	01.7150	100446	ZR MI32 R B	63.47002.0	LT MI32 R B	AC366		111174	850261
1830.0030013	01.4283	100509	ZR OP701 L		LT OP701 L	AC897	453-26	118469	850566
1830.0030014	01.4282	100510	ZR OP701 R		LT OP701 R	AC898	453-25	118468	850567
1830.0030015	01.4405	100525	ZR PG08 L B	60.40039.0	LT PG08 L B	AC137	226-04	118333	850312
1830.0030016	01.4404	100526	ZR PG08 R B	60.40038.0	LT PG08 R B		226-03	118332	850313
1830.0030017	A1.4409	100529	ZR PG17 L	60.40011.0	LT PG17 L	AC129	212-02	118301	850314
1830.0030018	A1.4408	100530	ZR PG17 R	60.40010.0	LT PG17 R	AC130	212-01	118300	850315
1830.0030019	01.4829	101123	ZR VK727 L	60.81853.0	LT VK727 L		109-22	113009	851174
1830.0030020	01.4828	101124	ZR VK727 R	60.81854.0	LT VK727 R		109-21	113008	851175
1830.0030021	01.3991	101125	ZR BM719 L	60.80840.0		AC1405	769-24	111443	
1830.0030022	01.3990	101126	ZR BM719 R	60.80839.0		AC1406	769-23	111442	
1830.0030023	01.7471	101127		60.81109.0				111497	
1830.0030024	01.7470	101128		60.81108.0				111496	
1830.0030025	01.3993	101129	ZR BM703 L	60.80844.0	LT BM703 L		735-24	111409	850852
1830.0030026	01.3992	101130	ZR BM703 R	60.80843.0	LT BM703 R		735-23	111408	850041
1830.0030027	01.3995	101131	ZR BM704 L	60.80846.0	LT BM704 L	AC1093	735-26	111424	850854
1830.0030028	01.3994	101132	ZR BM704 R	60.80845.0	LT BM704 R	AC1094	735-25	111425	850855
1830.0030029	01.3037	101141	ZR FR709 L		LT FR709 L		411-24	111515	
1830.0030030	01.3036	101142	ZR FR709 R		LT FR709 R		411-23	111514	
1830.0030031	01.7509	101169	ZR HY701 L	60.80901.0	LT HY701 L	AC833		111851	850888
1830.0030032	01.7508	101170	ZR HY701 R	60.80902.0	LT HY701 R	AC834		111850	850889
1830.0030033	01.2515	100853	ZR ZA702 L	64.80497.0	LT ZA702 L	AC1053	566-22	111355	850686
1830.0030034	01.2514	100854	ZR ZA702 R	64.80496.0	LT ZA702 R	AC1054	566-21	111354	850687
1830.0030035	01.4451	100925		60.80173.0			225-24	118035	
1830.0030036	01.4450	100926		60.80172.0			225-23	118034	
1830.0030037	01.4477	100953	ZR PG708 L	60.80279.0	LT PG708 L			118278	850864
1830.0030038	01.4476	100954	ZR PG708 R	60.80730.0	LT PG708 R			118556	850865
1830.0030039	01.7487	101015	ZR BM701 L	63.80614.0	LT BM701 L	AC1087	768-24	111487	850818
1830.0030040	01.7486	101016	ZR BM701 R	63.80615.0	LT BM701 R	AC1088	768-23	111486	850819
1830.0030041	01.7569	101017	ZR BM702 L	63.80616.0	LT BM702 L	AC1091	768-26	111488	850820
1830.0030042	01.7568	101018	ZR BM702 R	63.80617.0	LT BM702 R	AC1092	768-25	111479	850821
1830.0030043	01.7497	101019	ZR BM31 L	63.80610.0	LT BM31 L	AC1095	777-24	111478	850822
1830.0030044	01.7496	101020	ZR BM31 R	63.80611.0	LT BM31 R	AC1096	777-23	111481	850823
1830.0030045	01.7499	101021	ZR BM32 L	63.80612.0	LT BM32 L	AC741	777-26	111480	850824
1830.0030046	01.7498	101022	ZR BM32 R	63.80613.0	LT BM32 R		777-25	114077	850825
1830.0030047	01.1821	101033	ZR FT707 L	60.80967.0	LT FT707 L	AC1041	563-24	114076	850744
1830.0030048	01.1820	101034	ZR FT707 R	60.80968.0	LT FT707 R	AC1042	563-23		850745
1830.0030049	01.7433	101039	ZR HY33 L	60.80662.0	LT HY33 L	AC1153			850834
1830.0030050	01.7432	101040	ZR HY33 R	60.80663.0	LT HY33 R	AC1154			850835
1830.0030051	01.3899	101047	ZR LR23	63.80682.0	LT LR23	AC1159			
1830.0030053	01.4397	101050	ZR ME703 L	64.80693.0	LT ME703 L		706-22	111375	850766
1830.0030054	01.4396	101051	ZR ME703 R	64.80694.0	LT ME703 R	AC754	706-21	111374	850767
1830.0030055	01.4231	101056	ZR OP705 L	60.80705.0	LT OP705 L	AC1187		118511	850840
1830.0030056	01.4230	101057	ZR OP705 R	60.80706.0	LT OP705 R	AC1188		118510	850841
1830.0030057	01.4483	101062	ZR PG705 L	60.80723.0	LT PG705 L			118557	850848

Referencias cruzadas KSH - OTRAS MARCAS



Cross references | Correspondances | Corrispondenze por marca | Equivalências de referências

KSH	AC ROLCAR	DOGA	ELECTRIC LIFE	LEMFÖRDER	LIFT-TEK	M.MARELLI	SPJ	TRICLO	VALEO
1830.0030058	01.4482	101063	ZR PG705 R	60.80722.0	LT PG705 R			118556	850849
1830.0030059	01.3045	101337	ZR VK725 L		LT VK725 L			113907	851106
1830.0030060	01.3044	101338	ZR VK725 R		LT VK725 R			113906	851107
1830.0030061	01.7605	101343	ZR ME709 L		LT ME709 L	AC951	775-24	111467	850982
1830.0030062	01.7604	101344	ZR ME709 R		LT ME709 R	AC952	775-23	111466	850983
1830.0030063		101371	ZR PG709 L	60.80171.0	LT PG709 L	AC627	225-22		850990
1830.0030064		101372	ZR PG709 R	60.80170.0	LT PG709 R	AC628	225-21		850991
1830.0030065	01.4651	101377	ZR ST705 L		LT ST705 L		141-24	113887	851098
1830.0030066	01.4650	101378	ZR ST705 R		LT ST705 R		141-23	113886	851099
1830.0030067	01.3043	101383	ZR FR708 L	60.80645.0	LT FR708 L	AC941		118603	850996
1830.0030068	01.3042	101384	ZR FR708 R	60.80644.0	LT FR708 R	AC942			850997
1830.0030069		101401	ZR TY703 L	60.81047.0	LT TY703 L	AC971			851008
1830.0030070		101402	ZR TY703 R	60.81048.0	LT TY703 R	AC972			851009
1830.0030071	01.3509	101403		60.81559.0			739-22	111493	
1830.0030072	01.3508	101404		60.81558.0			739-21	111492	
1830.0030073	01.4045	101457	ZR ZA40 L	60.80975.0	LT ZA40 L	AC1071		118399	
1830.0030074	01.4044	101458	ZR ZA40 R	60.80976.0	LT ZA40 R	AC1072		118398	
1830.0030075	A1.4537	100003	ZR RN40 L	60.09085.0	LT RN40 L	AC147	248-04	115481	850348
1830.0030076	A1.4536	100004	ZR RN40 R	60.09084.0	LT RN40 R	AC148	248-03	115480	850349
1830.0030077		101491	ZR RN724 L	60.81795.0	LT RN724 L				
1830.0030078		101492	ZR RN724 R	60.81794.0	LT RN724 R				
1830.0030079	01.7715	101581	ZR DN703 L	63.80821.0	LT DN703 L	AC1113		111735	851022
1830.0030080	01.7714	101582	ZR DN703 R	63.80822.0	LT DN703 R	AC1114		111734	851023
1830.0030081	01.4857	101631	ZR VK721 L	60.81873.0	LT VK721 L	AC1384		113015	851126
1830.0030082	01.4856	101632	ZR VK721 R	60.81872.0	LT VK721 R	AC1385		113014	851127
1830.0030083	01.5115	101635	ZR VK720 L		LT VK720 L	AC1263		113749	851084
1830.0030084	01.5114	101636	ZR VK720 R		LT VK720 R	AC1264		113748	851085
1830.0030085		101683	ZR RN717 L	60.81711.0	LT RN717 L	AC1355			851136
1830.0030086		101684	ZR RN717 R	60.81710.0	LT RN717 R	AC1356			851137
1830.0030087	A1.4535	100011	ZR RN39 L	60.09081.0	LT RN39 L	AC145	248-02	115479	850346
1830.0030088	A1.4534	100012	ZR RN39 R	60.09080.0	LT RN39 R	AC146	248-01	115478	850347
1830.0030089	01.4871	101697	ZR VK732 L		LT VK732 L			113741	851148
1830.0030090	01.4870	101698	ZR VK732 R		LT VK732 R			113740	851149
1830.0030091	01.2909	101730					406-04	118513	
1830.0030092	01.2908	101731						118512	
1830.0030093	A1.4611	100001	ZR ST14 L	60.27053.0	LT ST14 L	AC211	132-04	113713	850390
1830.0030094	A1.4610	100002	ZR ST14 R	60.27052.0	LT ST14 R	AC222	132-03	113712	850391
1830.0030095	A1.4541	100009	ZR RN44 L	60.09067.0	LT RN44 L	AC153	260-04	115559	850352
1830.0030096	A1.4540	100010	ZR RN44 R	60.09066.0	LT RN44 R	AC154	260-03	115558	850353
1830.0030097	01.4093	100013	ZR FR62 L	60.80205.0	LT FR62 L	AC331	406-04	118271 / 118403	850506
1830.0030098	01.4092	100014	ZR FR62 R	60.80204.0	LT FR62 R	AC332	406-03	118270 / 118402	850507
1830.0030099	01.4825	100019	ZR VK704 L		LT VK704 L		104-24	113597	850524
1830.0030100	01.4824	100020	ZR VK704 R		LT VK704 R	AC486	104-23	113596	850525
1830.0030101	01.4823	100025	ZR VK702 L	60.80301.0	LT VK702 L	AC483	104-22		850522
1830.0030102	01.4822	100026	ZR VK702 R	60.80300.0	LT VK702 R	AC484	104-21		850523
1830.0030103	01.0141	100047	ZR AA41 L	60.80181.0	LT AA41 L	AC269	506-04	111575	850016
1830.0030104	01.0140	100048	ZR AA41 R	60.80180.0	LT AA41 R	AC270	506-03	111574	850017
1830.0030105	01.4627	100005	ZR ST13 L	60.27059.0	LT ST13 L	AC209	132-02	113711 / 113971	850388
1830.0030106	01.4626	100006	ZR ST13 R	60.27058.0	LT ST13 R	AC210	132-01	113710 / 113970	850389
1830.0030107	01.3917	100067	ZR AD701 L	60.80477.0	LT AD701 L	AC1081	718-24	113647	850678
1830.0030108	01.3916	100068	ZR AD701 R	60.80476.0	LT AD701 R	AC1082	718-23	113646	850679
1830.0030109	01.3919	100071	ZR AD703 L	60.80475.0	LT AD703 L	AC551	721-24	111231	850596
1830.0030110	01.3918	100072	ZR AD703 R	60.80474.0	LT AD703 R	AC552	721-23	111230	850597
1830.0030111	01.3921	100073	ZR AD704 L	60.80367.0	LT AD704 L	AC575	723-22	113637	850616
1830.0030112	01.3920	100074	ZR AD704 R	60.80366.0	LT AD704 R	AC576	723-21	113636	850617
1830.0030113	01.3925	100077	ZR AD706 L	60.80371.0	LT AD706 L	AC1085		113641	850620



KSH	AC ROLCAR	DOGA	ELECTRIC LIFE	LEMFÖRDER	LIFT-TEK	M.MARELLI	SPJ	TRICLO	VALEO
1830.0030114	01.3924	100078	ZR AD706 R	60.80370.0	LT AD706 R	AC1086		113640	850621
1830.0030115	01.3913	100079	ZR AD707 L	60.80471.0	LT AD707 L		720-04	113643	850674
1830.0030116	01.3912	100080	ZR AD707 R	60.80470.0	LT AD707 R		720-03	113642	850675
1830.0030117	01.3929	100081	ZR AD708 L	60.80473.0	LT AD708 L		720-06	113645	850676
1830.0030118	01.3928	100082	ZR AD708 R	60.80472.0	LT AD708 R		720-05	113644	850677
1830.0030119	01.3927	100083	ZR AD709 L	60.80469.0	LT AD709 L	AC579	722-22	113635	850672
1830.0030120	01.3926	100084	ZR AD709 R	60.80468.0	LT AD709 R	AC580	722-21	113634	850673
1830.0030121	01.4011	100095	ZR BM24 L	60.39009.0	LT BM24 L	AC297	735-24	111407	850040
1830.0030122	01.4010	100096	ZR BM24 R	60.39008.0	LT BM24 R	AC298	735-23	111408	850041
1830.0030123	01.4013	100097	ZR BM25 L	60.39011.0	LT BM25 L	AC299	735-26		850042
1830.0030124	01.4012	100098	ZR BM25 R	60.39010.0	LT BM25 R	AC300	735-25		850043
1830.0030125	01.4707	100105	ZR CR36 L	64.55003.0	LT CR36 L	AC103		111163	850046
1830.0030126	01.4706	100106	ZR CR36 R	64.55002.0	LT CR36 R	AC104		111162	
1830.0030127	01.4709	100107	ZR CR412 L	64.80481.0	LT CR412 L	AC1097		111455	850660
1830.0030128	01.4708	100108	ZR CR412 R	64.80480.0	LT CR412 R	AC1098		111454	850661
1830.0030129	01.2449			60.81221.0					
1830.0030130	01.2448			60.81220.0					
1830.0030131	01.2407	100143	ZR CT705 L	60.80489.0	LT CT705 L	AC583	207-24	111345	850682
1830.0030132	01.2406	100144	ZR CT705 R	60.80488.0	LT CT705 R	AC584	207-23	111344	850683
1830.0030133	01.2461	100147	ZR CT707 L	60.80618.0	LT CT707 L	AC737	216-22	111361	850728
1830.0030134	01.2460	100148	ZR CT707 R	60.80619.0	LT CT707 R	AC738	216-21	111360	850729
1830.0030135	01.4135	100007	ZR CT22 L	60.50053.0	LT CT22 L	AC121	202-02	111145	850062
1830.0030136	01.4134	100008	ZR CT22 R	60.50052.0	LT CT22 R	AC122	202-01	111144	850063
1830.0030137		100151	ZR CT709 L	60.80620.0	LT CT709 L	AC729	208-24	111331	850720
1830.0030138		100152	ZR CT709 R	60.80621.0	LT CT709 R	AC730	208-23	111330	850721
1830.0030139	01.2415	100155	ZR CT701 L		LT CT701 L	AC739	216-24	111229	850600
1830.0030140	01.2414	100156	ZR CT701 R		LT CT701 R	AC740	216-23	111228	850601
1830.0030141	01.6903	100165	ZR DN59 L	60.42003.0	LT DN59 L	AC231	684-04	111053	850070
1830.0030142	01.6902	100166	ZR DN59 R	60.42002.0	LT DN59 R	AC232	684-03	111052	850071
1830.0030143	01.6950	100173	ZR DN701 L	60.80519.0	LT DN701 L	AC595		111377	850626
1830.0030144	01.6949	100174	ZR DN701 R	60.80518.0	LT DN701 R	AC596		111376	850627
1830.0030145	01.6922	100177	ZR DN75 L	60.42013.0	LT DN75 L	AC247		111271	850080
1830.0030146	01.6921	100178	ZR DN75 R	60.42012.0	LT DN75 R	AC248		111270	850081
1830.0030147	01.6909	100191	ZR DN91 L	63.42011.0	LT DN91 L		692-06	111379	
1830.0030148	01.6908	100192	ZR DN91 R	63.42010.0	LT DN91 R		692-05	111378	
1830.0030149	01.4545	100021	ZR RN48 L	60.09071.0	LT RN48 L	AC263	241-02	115483	850358
1830.0030150	01.4544	100022	ZR RN48 R	60.09070.0	LT RN48 R	AC264	241-01	115482	850359
1830.0030151	01.6843	100193	ZR DW11 L	60.47003.0	LT DW11 L	AC311		118195	850086
1830.0030152	01.6842	100194	ZR DW11 R	60.47002.0	LT DW11 R	AC312		118194	850087
1830.0030153	01.6841	100195	ZR DW14 L	60.47001.0	LT DW14 L	AC309		118193	850088
1830.0030154	01.6840	100196	ZR DW14 R	60.47000.0	LT DW14 R	AC310		118192	850089
1830.0030155	01.6837	100197	ZR DW15 L	60.80197.0	LT DW15 L	AC261		118197	850090
1830.0030156	01.6836	100198	ZR DW15 R	60.80196.0	LT DW15 R	AC262		118196	850091
1830.0030157	01.6907	100201	ZR DN67 L B	63.42009.0	LT DN67 L B	AC725	692-04	111091	850072
1830.0030158	01.6906	100202	ZR DN67 R B	63.42008.0	LT DN67 R B	AC726	692-03	111092	850073
1830.0030159	A1.4415	100015	ZR PG19 L	60.40023.0	LT PG19 L	AC135	224-04	118307	850318
1830.0030160	A1.4414	100016	ZR PG19 R	60.40022.0	LT PG19 R	AC136	224-03	118306	850319
1830.0030161	01.2901	100225	ZR FR701 L	60.80277.0	LT FR701 L	AC809	406-28	113907	850570
1830.0030162	01.2900	100226	ZR FR701 R	60.80276.0	LT FR701 R	AC810	406-27	113906	850571
1830.0030163	01.2909	100227	ZR FR702 L	60.80279.0	LT FR702 L	AC811	406-30	118513	850568
1830.0030164	01.2902	100228	ZR FR702 R	60.80278.0	LT FR702 R	AC812	406-29	118512	850569
1830.0030165		100229	ZR FR70 3L	60.80281.0	LT FR70 3L	AC813	406-06	118453	850572
1830.0030166		100230	ZR FR703 R	60.80280.0	LT FR703 R	AC814	406-05	118454	850573
1830.0030167	01.4033	100233	ZR FR72 L	60.80098.0	LT FR72 L	AC493	405-04	118261	850112
1830.0030168	01.4032	100234	ZR FR72 R	60.80099.0	LT FR72 R	AC494	405-03	118260	850113
1830.0030169	01.1351	100287	ZR FT74 L	60.80201.0	LT FT74 L	AC319	520-02	113923	850168

Referencias cruzadas KSH - OTRAS MARCAS



Cross references | Correspondances | Corrispondenze por marca | Equivalências de referências

KSH	AC ROLCAR	DOGA	ELECTRIC LIFE	LEMFÖRDER	LIFT-TEK	M.MARELLI	SPJ	TRICLO	VALEO
1830.0030170	01.1350	100288	ZR FT74 R	60.80200.0	LT FT74 R	AC320	520-01	113922	850169
1830.0030171	01.2101	100301	ZR FT85 L	60.80413.0	LT FT85 L	AC433	531-04	113975	850180
1830.0030172	01.2100	100302	ZR FT85 R	60.80412.0	LT FT85 R	AC434	531-03	113974	850181
1830.0030173		100303	ZR FT90 L	60.80417.0	LT FT90 L	AC647	563-04	114079	850742
1830.0030174		100304	ZR FT90 R	60.80416.0	LT FT90 R	AC648	563-03	114078	850743
1830.0030175	01.7103	100325	ZR HY16 L	60.45001.0	LT HY16 L	AC219		111033	850194
1830.0030176	01.7102	100326	ZR HY16 R	60.45000.0	LT HY16 R	AC220		111032	850195
1830.0030177	01.7113	100329	ZR HY19 L	60.80229.0	LT HY19 L	AC217		111171	850196
1830.0030178	01.7112	100330	ZR HY19 R	60.80228.0	LT HY19 R	AC218		111170	850197
1830.0030179	01.7141	100333	ZR HY25 L	60.80227.0	LT HY25 L	AC1145		111169	850200
1830.0030180	01.7140	100334	ZR HY25 R	60.80226.0	LT HY25 R	AC1146		111168	850201
1830.0030181	01.3857	100357	ZR JE19 L	63.80666.0	LT JE19 L			111181	850754
1830.0030182	01.3856	100358	ZR JE19 R	63.80667.0	LT JE19 R			111180	850755
1830.0030183	01.4463	100555	ZR PG702 L	60.80717.0	LT PG702 L	AC761	232-24	118465	850778
1830.0030184	01.4462	100556	ZR PG702 R	60.80718.0	LT PG702 R	AC762	232-23	118464	850779
1830.0030185	01.4465	100557	ZR PG703 L		LT PG703 L	AC763	232-26	118467	850780
1830.0030186	01.4464	100558	ZR PG703 R		LT PG703 R	AC764	232-25	118466	850781
1830.0030187	01.4095	100027	ZR FR61 L	60.80203.0	LT FR61 L	AC329	406-02	118401	850504
1830.0030188	01.4094	100028	ZR FR61 R	60.80202.0	LT FR61 R	AC330	406-01	118400	850505
1830.0030189	01.4549	100589	ZR RN47 L	60.09079.0	LT RN47 L	AC267		115562	850356
1830.0030190	01.4548	100590	ZR RN47 R	60.09078.0	LT RN47 R	AC268		115563	830357
1830.0030191	01.4547	100591	ZR RN49 L	60.09073.0	LT RN49 L	AC265	241-04	115485	850360
1830.0030192	01.4546	100592	ZR RN49 R	60.09072.0	LT RN49 R	AC266	241-03	115484	850361
1830.0030193	01.4525	100595	ZR RN52 L	60.80271.0	LT RN52 L		268-02		850362
1830.0030194	01.4524	100596	ZR RN52 R	60.80270.0	LT RN52 R		268-01		850363
1830.0030195	01.4569	100603	ZR RNO57 L C	60.80755.0	LTRNO57LC	AC723	244-14	115571	850366
1830.0030196	01.4568	100604	ZR RNO57 R C	60.80756.0	LTRNO57RC	AC724	244-13	115570	850367
1830.0030197	01.4563	100605	ZR RN95 L	60.80114.0	LT RN95 L		244-06	115569	
1830.0030198	01.4562	100606	ZR RN95 R	60.80115.0	LT RN95 R		244-05	115568	
1830.0030199	01.4575	100621	ZR RN69 L	60.80735.0	LT RN69 L	AC781		115635	850798
1830.0030200	01.4574	100622	ZR RN69 R	60.80736.0	LT RN69 R	AC782		115634	850799
1830.0030201	01.4587	100625	ZR RN701 L	60.80551.0	LT RN701 L	AC479	244-24	115595	850594
1830.0030202	01.4586	100626	ZR RN701 R	60.80550.0	LT RN701 R	AC480	244-23	115594	850595
1830.0030203	01.4597	100627	ZR RN702 L	60.80335.0	LT RN702 L	AC513	252-24	115585	850640
1830.0030204	01.4596	100628	ZR RN702 R	60.80334.0	LT RN702 R		252-23		850643
1830.0030205	01.4595	100631	ZR RN704 L	60.80557.0	LT RN704 L	AC1061	270-26	115603	850662
1830.0030206	01.4594	100632	ZR RN704 R	60.80556.0	LT RN704 R	AC1062	270-25	115602	850663
1830.0030207	01.3809	100637	ZR RN708 L	60.80739.0	LT RN708 L	AC769		115591	850788
1830.0030208	01.3808	100638	ZR RN708 R	60.80740.0	LT RN708 R	AC770		115590	850789
1830.0030209	01.3969	100655	ZR RV19 L	60.20007.0	LT RV19 L	AC197		111147	850378
1830.0030210	01.3968	100656	ZR RV19 R	60.20006.0	LT RV19 R	AC198		111146	850379
1830.0030211	01.4163	100673	ZR SK701 L	60.80341.0	LT SK701 L	AC873	152-24	113987	850582
1830.0030212	01.4162	100674	ZR SK701 R	60.80340.0	LT SK701 R	AC874	152-23	113986	850583
1830.0030213	01.4191	100675	ZR SK702 L	60.80343.0	LT SK702 L	AC875	152-26		850584
1830.0030214	01.4190	100676	ZR SK702 R	60.80342.0	LT SK702 R	AC876	152-25		850585
1830.0030215	01.4165	100677	ZR SK703 L	60.80349.0	LT SK703 L	AC709	151-24	113901	850580
1830.0030216	01.4164	100678	ZR SK703 R	60.80348.0	LT SK703 R	AC710	151-23	113900	850581
1830.0030217	01.7003	100699	ZR SZ02 L	63.32031.0	LT SZ02 L		655-02	111059	
1830.0030218	01.7002	100700	ZR SZ02 R	63.32030.0	LT SZ02 R		655-01	111058	
1830.0030219	01.4591	100765	ZR RN705 L	60.80555.0	LT RN705 L	AC703	249-24	115599	850698
1830.0030220	01.4590	100766	ZR RN705 R	60.80554.0	LT RN705 R	AC704	249-23	115598	850699
1830.0030221	01.4589	100767	ZR RN707 L	60.80553.0	LT RN707 L	AC701	249-22	115597	850696
1830.0030222	01.4588	100768	ZR RN707 R	60.80552.0	LT RN707 R	AC702	249-21	115596	850697
1830.0030223	01.4837	100791	ZR VK705 L	60.80307.0	LT VK705 L	AC879	115-24	113653	850574
1830.0030224	01.4836	100792	ZR VK705 R	60.80306.0	LT VK705 R	AC880	115-23	113652	850575
1830.0030225	01.4873	100793	ZR VK706 L	60.80347.0	LT VK706 L	AC881		113655	850576



KSH	AC ROLCAR	DOGA	ELECTRIC LIFE	LEMFÖRDER	LIFT-TEK	M.MARELLI	SPJ	TRICLO	VALEO
1830.0030226	01.4872	100794	ZR VK706 R	60.80346.0	LT VK706 R	AC882		113654	850577
1830.0030227	01.4831	100797	ZR VK708L	60.80309.0		AC895	113-22	113651	850562
1830.0030228	01.4830	100798	ZR VK708R	60.80308.0		AC896	113-21	113650	850563
1830.0030229	01.4835	100799	ZR VK709 L	60.80305.0	LT VK709 L	AC715	105-24		850604
1830.0030230	01.4834	100800	ZR VK709 R	60.80304.0	LT VK709 R	AC716	105-23		850605
1830.0030231	01.4851	100801	ZR VK710 L	60.80451.0	LT VK710 L	AC717		113011	850606
1830.0030232	01.4850	100802	ZR VK710 R	60.80450.0	LT VK710 R	AC718		113010	850607
1830.0030233	01.4841	100803	ZR VK711 L	60.80453.0	LT VK711 L	AC719	118-04	113598	850578
1830.0030234	01.4840	100804	ZR VK711 R	60.80452.0	LT VK711 R	AC720	118-03	113599	850579
1830.0030235	01.4867	100807	ZR VK713 L	60.80795.0	LT VK713 L	AC789		113013	850810
1830.0030236	01.4866	100808	ZR VK713 R	60.80796.0	LT VK713 R	AC790		113012	850811
1830.0030237	01.4915	100817	ZR VL15 L	60.60009.0	LT VL15 L	AC253	755-04	118201	850466
1830.0030238	01.4914	100818	ZR VL15 R	60.60008.0	LT VL15 R	AC254	755-03	118200	850467
1830.0030239	01.4643	100843	ZR ST701 L	60.80457.0	LT ST701 L		139-18		850598
1830.0030240	01.4642	100844	ZR ST701 R	60.80456.0	LT ST701 R		139-17		850599
1830.0030241	01.4091	100845	ZR ZA31 L	64.80019.0	LT ZA31 L	AC337	414-02	118267	850496
1830.0030242	01.4090	100846	ZR ZA31 R	64.80018.0	LT ZA31 R	AC338	414-01	118266	850497
1830.0030243	01.3819	101068	ZR RN706 L	60.80737.0	LT RN706 L	AC777	249-16	115609	850800
1830.0030244	01.3818	101069	ZR RN706 R	60.80738.0	LT RN706 R	AC778	249-15	115608	850801
1830.0030245	01.7441	101121	ZR AD711 L	60.80608.0	LT AD711 L	AC969	721-26	111485	850850
1830.0030246	01.7440	101122	ZR AD711 R	60.80609.0	LT AD711 R	AC970	721-25	111484	850851
1830.0030247	01.4361	101181	ZR ME706 L		LT ME706 L			111383	
1830.0030248	01.4360	101182	ZR ME706 R		LT ME706 R				
1830.0030249	01.7531	101189	ZR OP708 L	60.80915.0	LT OP708 L	AC847	462-26	118503	850904
1830.0030250	01.7530	101190	ZR OP708 R	60.80916.0	LT OP708 R	AC848	462-25	118502	850905
1830.0030251	01.4875	101199	ZR VK715 L	60.80925.0	LT VK715 L	AC853		113613	850914
1830.0030252	01.4874	101200	ZR VK715 R	60.80926.0	LT VK715 R	AC854		113612	850915
1830.0030253	01.4473	101255	ZR PG704 L	60.80721.0	LT PG704 L	AC1217		118537	850842
1830.0030254	01.4472	101256	ZR PG704 R	60.80722.0	LT PG704 R	AC1218		118536	850843
1830.0030255	01.7591	101263	ZR SK708 L	60.80769.0	LT SK708 L	AC863			850870
1830.0030256	01.7590	101264	ZR SK708 R	60.80770.0	LT SK708 R	AC864			850871
1830.0030257	01.0107	101267	ZR AA703 L	60.80855.0	LT AA703 L	AC913	505-06	111601	850920
1830.0030258	01.0106	101268	ZR AA703 R	60.80856.0	LT AA703 R	AC914	505-05	111600	850921
1830.0030259	01.3503	101273	ZR BM708 L	60.80317.0	LT BM708 L	AC933	737-76	111449	850926
1830.0030260	01.3502	101274	ZR BM708 R	60.80316.0	LT BM708 R	AC934	737-75	111448	850927
1830.0030261	01.3547	101275	ZR BM28 L	60.80861.0	LT BM28 L		770-26	111497	850928
1830.0030262	01.3546	101276	ZR BM28 R	60.80862.0	LT BM28 R		770-25	111496	850929
1830.0030263	01.2499	101283	ZR CT713 L	60.80869.0	LT CT713 L			111869	850936
1830.0030264		101284	ZR CT713 R	60.80870.0	LT CT713 R			111868	850937
1830.0030265	01.3997	101307	ZR BM709L	63.80805.0	LT BM709 L	AC1095	777-24	111437	
1830.0030266	01.3996	101308	ZR BM709R	63.80806.0	LT BM709 R	AC1096	777-23	111436	
1830.0030267	01.3999	101309	ZR BM710L	63.80807.0	LT BM710 L		777-26	111439	
1830.0030268	01.3998	101310	ZR BM710R	63.80808.0	LT BM710 R		777-25	111438	
1830.0030269		100629	ZR RN703 L	60.80439.0	LT RN703 L		270-24		850608
1830.0030270		100630	ZR RN703 R	60.80438.0	LT RN703 R		270-23		850609
1830.0030271	01.4659	101503	ZR ST707 L	60.81041.0	LT ST707 L	AC1067		113909	851102
1830.0030272	01.4658	101504	ZR ST707 R	60.81042.0	LT ST707 R	AC1068		113908	851103
1830.0030273		100181	ZR DN78 L	63.80632.0	LT DN78 L	AC1133			
1830.0030274		100182	ZR DN78 R	63.80633.0	LT DN78 R	AC1134			
1830.0030275	01.4833	100795	ZR VK707 L	60.80311.0	LT VK707 L	AC865			850560
1830.0030276	01.4832	100796	ZR VK707 R	60.80310.0	LT VK707 R	AC866			850561
1830.0030279		101525							
1830.0030280		101526							
1830.0030281	01.3801	100609	ZR RN62 L	60.80337.0	LT RN62 L			115605	850642
1830.0030282	01.3800	100610	ZR RN62 R	60.80336.0	LT RN62 R	AC514	252-03	115628	850643
1830.0030283	01.4877	100809	ZR VK95 L	60.80345.0	LT VK95 L	AC1473			850658

Referencias cruzadas KSH - OTRAS MARCAS



Cross references | Correspondances | Corrispondenze por marca | Equivalências de referências

KSH	AC ROLCAR	DOGA	ELECTRIC LIFE	LEMFÖRDER	LIFT-TEK	M.MARELLI	SPJ	TRICLO	VALEO
1830.0030284	01.4876	100810	ZR VK95 R	60.80344.0	LT VK95 R	AC1474			850659
1830.0030285	01.1755	100855	ZR ZA703 L	64.80803.0	LT ZA703 L	AC731		114057	850724
1830.0030286	01.1754	100856	ZR ZA703 R	64.80804.0	LT ZA703 R	AC732		114056	850725
1830.0030287	01.7473	101405	ZR BM725 L	60.80842.0	LT BM725 L			111497	
1830.0030288	01.7472	101406	ZR BM725 R	60.80841.0	LT BM725 R			111496	
1830.0030289		100285	ZR FT72 L	60.70241.0	LT FT72 L		534-04	113931	850166
1830.0030290		100286	ZR FT72 R	60.70240.0	LT FT72 R		534-03	113930	850167
1830.0030291	01.3981	100395	ZR LR16 L	63.80136.0	LT LR16 L	AC901	745-04	111239	
1830.0030292	01.3980	100396	ZR LR16 R	63.80137.0	LT LR16 R	AC902	745-03		
1830.0030293	01.4331	100437	ZR ME72 L	60.80231.0	LT ME72 L	AC361		111235	850254
1830.0030294	01.4330	100438	ZR ME72 R	60.80230.0	LT ME72 R	AC362		111234	850255
1830.0030295	01.4767	100787	ZR VK39 L B	60.30013.0	LT VK39 L B	AC727	116-04	113723	850450
1830.0030296	01.4766	100788	ZR VK39 R B	60.30012.0	LT VK39 R B	AC728	116-03	113722	850451
1830.0030299		101082	ZR RNO82 L C		LTRNO82LC	AC1057	249-44	115577	
1830.0030300		101083	ZR RNO82 R C		LTRNO82RC	AC1058	249-43	115576	
1830.0030301		101086	ZR RNO81 L C	60.80361.0	LTRNO81 LC	AC1055	249-70	115631	
1830.0030302		101087	ZR RNO81 R C	60.80360.0	LTRNO81 RC	AC1056	249-69	115630	
1830.0030303	01.4195	101261	ZR SK707 L	60.80767.0	LT SK707 L	AC861	154-24		850868
1830.0030304	01.4194	101262	ZR SK707 R	60.80768.0	LT SK707 R	AC862	154-23		850869
1830.0030305	01.4845	101723	ZR VK728 L	60.81551.0	LT VK728 L				
1830.0030306	01.4844	101724	ZR VK728 R	60.81550.0	LT VK728 R				
1830.0030307		100275	ZR FT703 L		LT FT703 L				850734
1830.0030308		100276	ZR FT703 R		LT FT703 R				850735
1830.0030309	01.1203	101237	ZR FT701 L	60.81241.0	LT FT701 L	AC619			850636
1830.0030310	01.1202	101238	ZR FT701 R	60.81240.0	LT FT701 R	AC620			850637
1830.0030311	01.2419	100137		60.80389.0		AC559			850586
1830.0030312	01.2418	100138		60.80388.0		AC560			850587
1830.0030313	01.4031	100231	ZR FR71 L	60.80211.0	LT FR71 L	AC491	405-02		850110
1830.0030314	01.4030	100232	ZR FR71 R	60.80210.0	LT FR71 R	AC492	405-01		850111
1830.0030315		100349	ZR JE13 L	63.80511.0	LT JE13 L				850688
1830.0030316		100350	ZR JE13 R	63.80510.0	LT JE13 R				850689
1830.0030319	01.7635	100553	ZR PG701 L	60.80539.0	LT PG701 L	AC797		118459	850692
1830.0030320	01.7634	100554	ZR PG701 R	60.80538.0	LT PG701 R				850692
1830.0030321	01.4561	100601	ZR RN57 L	60.80112.0	LT RN57 L	AC723		115595	850366
1830.0030322		100602	ZR RN57 R	60.80113.0	LT RN57 R			115594	850367
1830.0030323	01.4495	100641	ZR RN71 L	60.80745.0	LT RN71 L	AC771		115625	850790
1830.0030324	01.4494	100642	ZR RN71 R	60.80746.0	LT RN71 R	AC772		115624	850791
1830.0030325	01.4759	100777	ZR VK23 L B	64.30023.0	LT VK23 L B	AC407	121-02	113969	850442
1830.0030326	01.4758	100778	ZR VK23 R B	64.30022.0	LT VK23 R B	AC408	121-01	113968	850443
1830.0030327	01.4449	100923		60.80171.0		AC627	225-22		
1830.0030328	01.4448	100924		60.80170.0		AC628	225-21		
1830.0030329	01.0505	101029	ZR ZA704 L	60.80805.0	LT ZA704 L	AC735	572-22	111315	850726
1830.0030330	01.0504	101030	ZR ZA704 R	60.80806.0	LT ZA704 R	AC736	572-21	111314	850727
1830.0030331	01.1355	101031	ZR FT97 L	60.80656.0	LT FT97 L	AC867		114075	850832
1830.0030332	01.1354	101032	ZR FT97 R	60.80657.0	LT FT97 R	AC868		114074	850833
1830.0030333		101165	ZR FR704 L	60.80897.0	LT FR704 L	AC829		118527	850884
1830.0030334		101166	ZR FR704 R	60.80898.0	LT FR704 R	AC830		118526	850885
1830.0030335		101179	ZR ME84 L	63.80793.0	LT ME84 L	AC1183			850894
1830.0030336		101180	ZR ME84 R	63.80794.0	LT ME84 R	AC1184			850895
1830.0030337	01.7633	101195	ZR OP709 L	60.80921.0	LT OP709 L	AC885	467-26		850910
1830.0030338	01.7632	101196	ZR OP709 R	60.80922.0	LT OP709 R	AC886	467-25		850911
1830.0030339	01.4451	101373	ZR PG710 L	60.80173.0	LT PG710 L	AC629			850992
1830.0030340	01.4450	101374	ZR PG710 R	60.80172.0	LT PG710 R	AC630			850993
1830.0030341		101439	ZR SB701 L		LT SB701 L	AC1033	739-22		
1830.0030342		101440	ZR SB701 R		LT SB701 R	AC1034	739-21		
1830.0030343	01.7719	101473	ZR OP712 L	60.80997.0	LT OP712 L	AC1193			851026



KSH	AC ROLCAR	DOGA	ELECTRIC LIFE	LEMFÖRDER	LIFT-TEK	M.MARELLI	SPJ	TRICLO	VALEO
1830.0030344	01.7718	101474	ZR OP712 R	60.80998.0	LT OP712 R	AC1194			851027
1830.0030345		101633	ZR VK722 L	60.81875.0	LT VK722 L	AC1386			851128
1830.0030346		101634	ZR VK722 R	60.81874.0	LT VK722 R	AC1387			851129
1830.0030347	01.5533	101685	ZR RN718 L	60.81713.0	LT RN718 L	AC1357			851138
1830.0030348	01.5532	101686	ZR RN718 R	60.81712.0	LT RN718 R	AC1358			851139
1830.0030349	01.4421	100533	ZR PG20 L	60.40025.0	LT PG20 L	AC1211	224-06	118309	
1830.0030350	01.4420	100534	ZR PG20 R	60.40024.0	LT PG20 R	AC1212	224-05	118308	
1830.0030351	01.4027	101311					739-48		
1830.0030352	01.4026	101312					739-47		
1830.0030353		101327					636-24		
1830.0030354		101328					636-23		
1830.0030355		101393	ZR DN702 L	63.80817.0	LT DN702 L	AC963		111811	
1830.0030356		101394	ZR DN702 R	63.80818.0	LT DN702 R	AC964		111810	
1830.0030357		101133	ZR ME707 L		LT ME707 L		772-24		850986
1830.0030358		101134	ZR ME707 R		LT ME707 R		772-23		850987
1830.0030359	01.4765	100023	ZR VK38 L B	60.30011.0	LT VK38 L B	AC229	116-02	113721	850448
1830.0030360	01.4764	100024	ZR VK38 R B	60.30010.0	LT VK38 R B	AC230	116-01	113720	850449
1830.0030361		100075		60.80369.0		AC577	723-24		850618
1830.0030362		100076		60.80368.0		AC578	723-23		850619
1830.0030363	01.4771	100775	ZR VK16 L B	60.30003.0	LT VK16 L B	AC243	108-04		850440
1830.0030364	01.4770	100776	ZR VK16 R B	60.30002.0	LT VK16 R B	AC244	108-03		850441
1830.0030365		100805	ZR VK712 L		LT VK712 L	AC883	130-22		850706
1830.0030366		100806	ZR VK712 R		LT VK712 R	AC884	130-21		850707
1830.0030367	01.4711	101313		64.80481.0				111163	
1830.0030368	01.4710	101314		64.80480.0				111162	
1830.0030371		101389	ZR ME711 L	60.80989.0	LT ME711 L	AC959			851004
1830.0030372		101390	ZR ME711 R	60.80990.0	LT ME711 R	AC960			851005
1830.0030373	01.3989	101507		60.81105.0					
1830.0030374	01.3988	101508		60.81104.0					
1830.0030375		101673	ZR AD720 L		LT AD720 L				851182
1830.0030376		101674	ZR AD720 R		LT AD720 R			113024	851183
1830.0030377	01.3543	101675	ZR BM34 L	60.81955.0	LT BM34 L				
1830.0030378	01.3542	101676	ZR BM34 R	60.81954.0	LT BM34 R				
1830.0030379	01.4657	101699		60.27163.0				113955	
1830.0030380	01.4656	101700		60.27162.0				113954	
1830.0030383		101329					637-24	111483	
1830.0030384		101330					637-23	111482	
1830.0030389		101135	ZR ME708 L		LT ME708 L		772-26		
1830.0030390		101136	ZR ME708 R		LT ME708 R		772-25		
1830.0030393	A1.4119	100119	ZR CT13 L B	60.50045.0	LT CT13 L B	AC119		111015	850058
1830.0030394	A1.4118	100120	ZR CT13 R B	60.50044.0	LT CT13 R B	AC120		111014	850059
1830.0030397	01.2411	100139	ZR CT703 L	60.80383.0	LT CT703 L	AC587		111351	850648
1830.0030398	01.2410	100140	ZR CT703 R	60.80382.0	LT CT703 R	AC588		111350	850649
1830.0030399	01.2001	100293	ZR FT81 L	60.80161.0	LT FT81 L	AC437		113935	850174
1830.0030400	01.2000	100294	ZR FT81 R	60.80160.0	LT FT81 R	AC438		113934	850175
1830.0030401	A1.4411	100531	ZR PG18 L	60.40037.0	LT PG18 L	AC131		118303	850316
1830.0030402	A1.4410	100532	ZR PG18 R	60.40036.0	LT PG18 R	AC132		118302	850317
1830.0030403	A1.4413	100535	ZR PG22 L	60.40035.0	LT PG22 L	AC133		118305	850322
1830.0030404		100536	ZR PG22 R	60.40034.0	LT PG22 R	AC134		118304	850323
1830.0030405	01.4539	100585	ZR RN41 L	60.80067.0	LT RN41 L	AC569		115557	850350
1830.0030406	01.4538	100586	ZR RN41 R	60.80066.0	LT RN41 R	AC570		115556	850351
1830.0030407	A1.4605	100687	ZR ST10 L B	60.27039.0	LT ST10 L B	AC225		113715	850384
1830.0030408	A1.4604	100688	ZR ST10 R B	60.27038.0	LT ST10 R B	AC226		113714	850385
1830.0030409	01.4543	100739	ZR RN61 L	60.80295.0	LT RN61 L	AC573			850370
1830.0030410	01.4542	100740	ZR RN61 R	60.80294.0	LT RN61 R	AC574			850371
1830.0030411	A1.1751	100837	ZR ZA24 L	64.40001.0	LT ZA24 L	AC071		111153	850488

Referencias cruzadas KSH - OTRAS MARCAS



Cross references | Correspondances | Corrispondenze por marca | Equivalências de referências

KSH	AC ROLCAR	DOGA	ELECTRIC LIFE	LEMFÖRDER	LIFT-TEK	M.MARELLI	SPJ	TRICLO	VALEO
1830.0030412	A1.1750	100838	ZR ZA24 R	64.40000.0	LT ZA24 R	AC072		111152	850489
1830.0030413	01.4557	100847	ZR ZA32 L	64.80179.0	LT ZA32 L	AC427		115555	850498
1830.0030414	01.4556	100848	ZR ZA32 R	64.80178.0	LT ZA32 R	AC428		115554	850499
1830.0030415	01.3501	100863	ZR BM706 L	60.80315.0	LT BM706 L	AC823		111447	850878
1830.0030416	01.3500	100864	ZR BM706 R	60.80314.0	LT BM706 R	AC824		111446	850879
1830.0030417	01.3535	100871		60.80377.0					
1830.0030418	01.3534	100872		60.80376.0					
1830.0030419	01.4839	101078	ZR VK714 L	60.80929.0	LT VK714 L	AC787		113657	850812
1830.0030420	01.4838	101079	ZR VK714 R	60.80930.0	LT VK714 R	AC788		113656	850813
1830.0030421	01.4653	101379	ZR ST706 L	60.81031.0	LT ST706 L	AC1273		113889	851100
1830.0030422	01.4652	101380	ZR ST706 R	60.81032.0	LT ST706 R	AC1274		113888	851101
1830.0030423	01.7651	101709	ZR PG713 L	60.81691.0	LT PG713 L	AC1346		111843	851452
1830.0030424	01.7650	101710	ZR PG713 R	60.81690.0	LT PG713 R	AC1347		111842	851453
1830.0030429	01.4041	100167		60.80221.0		AC443		118397	
1830.0030430	01.4040	100168		60.80220.0				118396	
1830.0030431	01.4069	100213	ZR FR45 L B	60.49007.0	LT FR45 L B	AC239		111017	850100
1830.0030432	01.4068	100214	ZR FR45 R B	60.49006.0	LT FR45 R B	AC240		111016	850101
1830.0030433	01.4089	100221	ZR FR60 L	60.49011.0	LT FR60 L	AC241		118315	850108
1830.0030434	01.4088	100222	ZR FR60 R	60.49010.0	LT FR60 R	AC242		118314	850109
1830.0030435	01.4037	100237	ZR FR75 L	60.80217.0	LT FR75 L	AC497		118391	850114
1830.0030436	01.4036	100238	ZR FR75 R	60.80216.0	LT FR75 R	AC498		118390	850115
1830.0030437	01.2003	100295	ZR FT82 L	60.80163.0	LT FT82 L	AC439		113937	850176
1830.0030438	01.2002	100296	ZR FT82 R	60.80162.0	LT FT82 R	AC440		113936	850177
1830.0030439	01.1705	100305	ZR FT94 L	60.80650.0	LT FT94 L	AC743		114059	851274
1830.0030440	01.1704	100306	ZR FT94 R	60.80651.0	LT FT94 R	AC744		114058	851275
1830.0030441	01.3939	100645	ZR RVO15 L C	60.80397.0	LTRVO15LC	AC447		111027	850542
1830.0030442		100646	ZR RVO15 R C	60.80396.0	LTRVO15RC				850543
1830.0030445	01.4635	100695	ZR ST28 L	60.80297.0	LT ST28 L	AC501		113979	
1830.0030446	01.4634	100696	ZR ST28 R	60.80296.0	LT ST28 R	AC502		113978	
1830.0030451	01.2507	100833	ZR ZA21 L B	64.70089.0	LT ZA21 L B	AC086		113921	850484
1830.0030452	01.2506	100834	ZR ZA21 R B	64.70088.0	LT ZA21 R B	AC087		113920	850485
1830.0030453	01.0181	101011	ZR AA48 L	60.80602.0	LT AA48 L				850814
1830.0030454	01.0180	101012	ZR AA48 R	60.80603.0	LT AA48 R				850815
1830.0030455	01.3021	101151	ZR FR719 L	60.81257.0	LT FR719 L			118351	851444
1830.0030456	01.3020	101152	ZR FR719 R	60.81256.0	LT FR719 R			118350	851445
1830.0030457	01.3003	101153	ZR FR720 L	60.81259.0	LT FR720 L			118353	851446
1830.0030458	01.3002	101154	ZR FR720 R	60.81258.0	LT FR720 R			118352	851447
1830.0030459	01.7803	101319	ZR HDO67 L C		LTHDO67LC				
1830.0030460	01.7036	101320	ZR HD67 R		LT HD67 R				
1830.0030461		101341	ZR VK743 L	60.81863.0	LT VK743 L				
1830.0030462		101342	ZR VK743 R	60.81862.0	LT VK743 R				
1830.0030463		101441	ZR SB17 L	60.80563.0	LT SB17 L	AC1027			
1830.0030464		101442	ZR SB17 R	60.80562.0	LT SB17 r	AC1028			
1830.0030467	01.0127	100043	ZR AA37 L	60.12031.0	LT AA37 L	AC093		111553	850012
1830.0030468	01.0126	100044	ZR AA37 R	60.12030.0	LT AA37 R	AC094		111552	850013
1830.0030469	01.4005	100091	ZR BM20 L	60.39003.0	LT BM20 L	AC521		111534	850036
1830.0030470	01.4004	100092	ZR BM20 R	60.39002.0	LT BM20 R	AC522		111533	850037
1830.0030471	01.1781	100289	ZR FT76 L	60.70233.0	LT FT76 L	AC323		113927	850170
1830.0030472	01.1780	100290	ZR FT76 R	60.70232.0	LT FT76 R	AC324		113926	850171
1830.0030473	01.7821	100307	ZR GM106 L	60.80391.0	LT GM106 L	AC553			850630
1830.0030474	01.7820	100308	ZR GM106 R	60.80390.0	LT GM106 R	AC554			850631
1830.0030475	01.7599	100511	ZR OP702 L	60.80703.0	LT OP702 L	AC757			850770
1830.0030476	01.7598	100512	ZR OP702 R	60.80704.0	LT OP702 R	AC758			850771
1830.0030477	01.4245	100519	ZR OP73 L	60.80429.0	LT OP73 L	AC453		118253	850288
1830.0030478	01.4244	100520	ZR OP73 R	60.80428.0	LT OP73 R	AC454		118252	850289
1830.0030481	01.4435	100543	ZR PG30 L	60.40141.0	LT PG30 L	AC171		118251	850326



KSH	AC ROLCAR	DOGA	ELECTRIC LIFE	LEMFÖRDER	LIFT-TEK	M.MARELLI	SPJ	TRICLO	VALEO
1830.0030482	01.4434	100544	ZR PG30 R	60.40140.0	LT PG30 R	AC172		118250	850327
1830.0030483	01.3805	100623	ZR RN70 L	60.80743.0	LT RN70 L	AC767		115619	850786
1830.0030484	01.3804	100624	ZR RN70 R	60.80744.0	LT RN70 R	AC768		115618	850787
1830.0030485		100651	ZR RV15 L	60.20009.0	LT RV15 L			111027	850376
1830.0030486		100652	ZR RV15 R	60.20008.0	LT RV15 R	AC200		111026	850377
1830.0030487	01.4579	100935	ZR RNO83 L C	60.81735.0	LTRNO83LC	AC721		115581	850608
1830.0030488	01.4578	100936	ZR RNO83 R C	60.81734.0	LTRNO83RC	AC722		115580	850609
1830.0030491		101187	ZR BM33 L	60.80887.0	LT BM33 L	AC845			850902
1830.0030492		101188	ZR BM33 R	60.80888.0	LT BM33 R	AC846			850903
1830.0030493	01.4881	101201	ZR VK716 L	60.80927.0	LT VK716 L	AC855			850916
1830.0030494	01.4880	101202	ZR VK716 R	60.80928.0	LT VK716 R	AC856			850917
1830.0030495	01.2467	101279	ZR CT714 L	60.80865.0	LT CT714 L	AC919		111719	850932
1830.0030496	01.2466	101280	ZR CT714 R	60.80866.0	LT CT714 R	AC920		111718	850933
1830.0030497		101367	ZR ME707 L	60.80820.0	LT ME707 L	AC955			850986
1830.0030498		101368	ZR ME707 R	60.80819.0	LT ME707 R	AC956			850987
1830.0030499	01.4335	101375		64.81557.0					
1830.0030500	01.4334	101376		64.81556.0					
1830.0030501	01.3039	101667	ZR FR710 L	60.81945.0	LT FR710 R			118553	
1830.0030502	01.3038	101668	ZR FR710 R	60.81944.0	LT FR710 R			118552	
1830.0030503	01.3827	101669	ZR RN723 L	60.81731.0	LT RN723 L				
1830.0030504	01.3826	101670	ZR RN723 R	60.81730.0	LT RN723 R				
1830.0030505	01.7713	101679	ZR ME717 L	64.81555.0	LT ME717 L	AC1336			
1830.0030506	01.7712	101680	ZR ME717 R	64.81554.0	LT ME717 R	AC1337			
1830.0030507	01.2435	101741	ZR CT726 L	60.80455.0	LT CT726 L	AC1511		111751	
1830.0030508	01.2434	101742	ZR CT726 R	60.80454.0	LT CT726 R	AC1512		111750	
1830.0030509	01.4637	100029	ZR ST29 L	60.80299.0	LT ST29 L	AC503		113981	
1830.0030510	01.4636	100030	ZR ST29 R	60.80298.0	LT ST29 R	AC504		113980	
	FEBI BILSTEIN	METZGER	MEYLE						
1830.30019MA	14722	2160007	1008370030						
1830.30020MA	14724	2160008	1008370031						
AC ROLCAR	DOGA	ELECTRIC LIFE	LEMFÖRDER	LIFT-TEK	M.MARELLI	SPJ	TRICLO	VALEO	
1830.30391MA		110073			LT VK901 L			103669	
1830.30392MA		110074			LT VK901 R			103668	
1830.30425MA	03.4135	110009	ZR ZA931 L	60.80455.0	LT ZA931 L	AC1511			
1830.30426MA	03.4134	110010	ZR ZA931 R	60.80454.0	LT ZA931 R	AC1512			
1830.30427MA	03.1815	110049	ZR FT909 L	60.80421.0	LT FT909 L	AC1397			
1830.30428MA	03.1814	110050	ZR FT909 R	60.80420.0	LT FT909 R	AC1396			
VEHÍCULO INDUSTRIAL									
1830.0040001	01.3103	120041	ZR SC01 L	65.81741.0	LT SC01 L	AC1465			851086
1830.0040002	01.3102	120042	ZR SC01 R	65.81740.0	LT SC01 R	AC1466			851087
1830.0040003		120019	ZR ZA61 L	65.80384.0	LT ZA61 L	AC929			850964
1830.0040004		120020	ZR ZA61 R	65.80385.0	LT ZA61 R	AC930			850965
1830.0040005		120011	ZR ZA48 L	65.80376.0	LT ZA48 L	AC981			850956
1830.0040006	01.4392	120012	ZR ZA48 R	65.80377.0	LT ZA48 R	AC982			850957
1830.0040007		100831	ZR ZA19 L	65.75005.0	LT ZA19 L	AC082			850482
1830.0040008		100832	ZR ZA19 R	65.75004.0	LT ZA19 R	AC083			850483
1830.0040009	01.4981	120023	ZR ZA126 L	65.80388.0	LT ZA126 L	AC995			
1830.0040010		120024	ZR ZA126 R	65.80389.0	LT ZA126 R	AC996			
1830.0040011	01.4987	120003	ZR ZA124 L	65.81372.0	LT ZA124 L	AC987			850950
1830.0040012	01.4986	120004	ZR ZA124 R	65.81373.0	LT ZA124 R	AC988			850951
1830.0040013	01.2509	100697	ZR ZA29 L	64.09187.0	LT ZA29 L	AC341			850494
1830.0040014	01.2508	100698	ZR ZA29 R	64.09186.0	LT ZA29 R	AC342			850495
1830.0040015	01.4941	120017	ZR ZA50 L	65.80382.0	LT ZA50 L	AC985			850962
1830.0040016	01.4940	120018	ZR ZA50 R	65.90383.0	LT ZA50 R	AC986			850963
1830.40017MA			ZR ZA910 L	65.80367.0	LT ZA910 L				
1830.40018MA			ZR ZA910 R	65.80366.0	LT ZA910 R				

Referencias cruzadas OTRAS MARCAS - KSH



Cross references | Correspondances | Corrispondenze por marca | Equivalências de referências

AC ROLCAR	KSH
01.0106	1830.0030258
01.0107	1830.0030257
01.0126	1830.0030468
01.0127	1830.0030467
01.0140	1830.0030104
01.0141	1830.0030103
01.0180	1830.0030454
01.0181	1830.0030453
01.0504	1830.0030330
01.0505	1830.0030329
01.1202	1830.0030310
01.1203	1830.0030309
01.1350	1830.0030170
01.1351	1830.0030169
01.1354	1830.0030332
01.1355	1830.0030331
01.1704	1830.0030440
01.1705	1830.0030439
01.1754	1830.0030286
01.1755	1830.0030285
01.1780	1830.0030472
01.1781	1830.0030471
01.1820	1830.0030048
01.1821	1830.0030047
01.2000	1830.0030400
01.2001	1830.0030399
01.2002	1830.0030438
01.2003	1830.0030437
01.2100	1830.0030172
01.2101	1830.0030171
01.2406	1830.0030132
01.2407	1830.0030131
01.2410	1830.0030398
01.2411	1830.0030397
01.2414	1830.0030140
01.2415	1830.0030139
01.2418	1830.0030312
01.2419	1830.0030311
01.2434	1830.0030508
01.2435	1830.0030507
01.2448	1830.0030130
01.2449	1830.0030129
01.2460	1830.0030134
01.2461	1830.0030133
01.2466	1830.0030496
01.2467	1830.0030495
01.2499	1830.0030263
01.2506	1830.0030452
01.2507	1830.0030451
01.2508	1830.0040014
01.2509	1830.0040013
01.2514	1830.0030034
01.2515	1830.0030033
01.2900	1830.0030162
01.2901	1830.0030161
01.2902	1830.0030164
01.2908	1830.0030092

AC ROLCAR	KSH
01.2909	1830.0030091
01.2909	1830.0030163
01.3002	1830.0030458
01.3003	1830.0030457
01.3020	1830.0030456
01.3021	1830.0030455
01.3036	1830.0030030
01.3037	1830.0030029
01.3038	1830.0030502
01.3039	1830.0030501
01.3042	1830.0030068
01.3043	1830.0030067
01.3044	1830.0030060
01.3045	1830.0030059
01.3102	1830.0040002
01.3103	1830.0040001
01.3500	1830.0030416
01.3501	1830.0030415
01.3502	1830.0030260
01.3503	1830.0030259
01.3508	1830.0030072
01.3509	1830.0030071
01.3534	1830.0030418
01.3535	1830.0030417
01.3542	1830.0030378
01.3543	1830.0030377
01.3546	1830.0030262
01.3547	1830.0030261
01.3800	1830.0030282
01.3801	1830.0030281
01.3804	1830.0030484
01.3805	1830.0030483
01.3808	1830.0030208
01.3809	1830.0030207
01.3818	1830.0030244
01.3819	1830.0030243
01.3826	1830.0030504
01.3827	1830.0030503
01.3856	1830.0030182
01.3857	1830.0030181
01.3899	1830.0030051
01.3912	1830.0030116
01.3913	1830.0030115
01.3916	1830.0030108
01.3917	1830.0030107
01.3918	1830.0030110
01.3919	1830.0030109
01.3920	1830.0030112
01.3921	1830.0030111
01.3924	1830.0030114
01.3925	1830.0030113
01.3926	1830.0030120
01.3927	1830.0030119
01.3928	1830.0030118
01.3929	1830.0030117
01.3939	1830.0030441
01.3942	1830.0030002



AC ROLCAR	KSH
01.3943	1830.0030001
01.3968	1830.0030210
01.3969	1830.0030209
01.3980	1830.0030292
01.3981	1830.0030291
01.3988	1830.0030374
01.3989	1830.0030373
01.3990	1830.0030022
01.3991	1830.0030021
01.3992	1830.0030026
01.3993	1830.0030025
01.3994	1830.0030028
01.3995	1830.0030027
01.3996	1830.0030266
01.3997	1830.0030265
01.3998	1830.0030268
01.3999	1830.0030267
01.4004	1830.0030470
01.4005	1830.0030469
01.4010	1830.0030122
01.4011	1830.0030121
01.4012	1830.0030124
01.4013	1830.0030123
01.4026	1830.0030352
01.4027	1830.0030351
01.4030	1830.0030314
01.4031	1830.0030313
01.4032	1830.0030168
01.4033	1830.0030167
01.4036	1830.0030436
01.4037	1830.0030435
01.4040	1830.0030430
01.4041	1830.0030429
01.4044	1830.0030074
01.4045	1830.0030073
01.4068	1830.0030432
01.4069	1830.0030431
01.4088	1830.0030434
01.4089	1830.0030433
01.4090	1830.0030242
01.4091	1830.0030241
01.4092	1830.0030098
01.4093	1830.0030097
01.4094	1830.0030188
01.4095	1830.0030187
01.4134	1830.0030136
01.4135	1830.0030135
01.4162	1830.0030212
01.4163	1830.0030211
01.4164	1830.0030216
01.4165	1830.0030215
01.4190	1830.0030214
01.4191	1830.0030213
01.4194	1830.0030304
01.4195	1830.0030303
01.4230	1830.0030056
01.4231	1830.0030055

AC ROLCAR	KSH
01.4244	1830.0030478
01.4245	1830.0030477
01.4282	1830.0030014
01.4283	1830.0030013
01.4300	1830.0030004
01.4301	1830.0030003
01.4310	1830.0030006
01.4311	1830.0030005
01.4330	1830.0030294
01.4331	1830.0030293
01.4334	1830.0030500
01.4335	1830.0030499
01.4340	1830.0030008
01.4341	1830.0030007
01.4342	1830.0030010
01.4343	1830.0030009
01.4360	1830.0030248
01.4361	1830.0030247
01.4392	1830.0040006
01.4396	1830.0030054
01.4397	1830.0030053
01.4404	1830.0030016
01.4405	1830.0030015
01.4420	1830.0030350
01.4421	1830.0030349
01.4434	1830.0030482
01.4435	1830.0030481
01.4448	1830.0030328
01.4449	1830.0030327
01.4450	1830.0030036
01.4450	1830.0030340
01.4451	1830.0030035
01.4451	1830.0030339
01.4462	1830.0030184
01.4463	1830.0030183
01.4464	1830.0030186
01.4465	1830.0030185
01.4472	1830.0030254
01.4473	1830.0030253
01.4476	1830.0030038
01.4477	1830.0030037
01.4482	1830.0030058
01.4483	1830.0030057
01.4494	1830.0030324
01.4495	1830.0030323
01.4524	1830.0030194
01.4525	1830.0030193
01.4538	1830.0030406
01.4539	1830.0030405
01.4542	1830.0030410
01.4543	1830.0030409
01.4544	1830.0030150
01.4545	1830.0030149
01.4546	1830.0030192
01.4547	1830.0030191
01.4548	1830.0030190
01.4549	1830.0030189

Referencias cruzadas OTRAS MARCAS - KSH



Cross references | Correspondances | Corrispondenze por marca | Equivalências de referências

AC ROLCAR	KSH
01.4556	1830.0030414
01.4557	1830.0030413
01.4561	1830.0030321
01.4562	1830.0030198
01.4563	1830.0030197
01.4568	1830.0030196
01.4569	1830.0030195
01.4574	1830.0030200
01.4575	1830.0030199
01.4578	1830.0030488
01.4579	1830.0030487
01.4586	1830.0030202
01.4587	1830.0030201
01.4588	1830.0030222
01.4589	1830.0030221
01.4590	1830.0030220
01.4591	1830.0030219
01.4594	1830.0030206
01.4595	1830.0030205
01.4596	1830.0030204
01.4597	1830.0030203
01.4626	1830.0030106
01.4627	1830.0030105
01.4634	1830.0030446
01.4635	1830.0030445
01.4636	1830.0030510
01.4637	1830.0030509
01.4642	1830.0030240
01.4643	1830.0030239
01.4650	1830.0030066
01.4651	1830.0030065
01.4652	1830.0030422
01.4653	1830.0030421
01.4656	1830.0030380
01.4657	1830.0030379
01.4658	1830.0030272
01.4659	1830.0030271
01.4706	1830.0030126
01.4707	1830.0030125
01.4708	1830.0030128
01.4709	1830.0030127
01.4710	1830.0030368
01.4711	1830.0030367
01.4758	1830.0030326
01.4759	1830.0030325
01.4764	1830.0030360
01.4765	1830.0030359
01.4766	1830.0030296
01.4767	1830.0030295
01.4770	1830.0030364
01.4771	1830.0030363
01.4822	1830.0030102
01.4823	1830.0030101
01.4824	1830.0030100
01.4825	1830.0030099
01.4828	1830.0030020
01.4829	1830.0030019

AC ROLCAR	KSH
01.4830	1830.0030228
01.4831	1830.0030227
01.4832	1830.0030276
01.4833	1830.0030275
01.4834	1830.0030230
01.4835	1830.0030229
01.4836	1830.0030224
01.4837	1830.0030223
01.4838	1830.0030420
01.4839	1830.0030419
01.4840	1830.0030234
01.4841	1830.0030233
01.4844	1830.0030306
01.4845	1830.0030305
01.4850	1830.0030232
01.4851	1830.0030231
01.4856	1830.0030082
01.4857	1830.0030081
01.4866	1830.0030236
01.4867	1830.0030235
01.4870	1830.0030090
01.4871	1830.0030089
01.4872	1830.0030226
01.4873	1830.0030225
01.4874	1830.0030252
01.4875	1830.0030251
01.4876	1830.0030284
01.4877	1830.0030283
01.4880	1830.0030494
01.4881	1830.0030493
01.4914	1830.0030238
01.4915	1830.0030237
01.4940	1830.0040016
01.4941	1830.0040015
01.4981	1830.0040009
01.4986	1830.0040012
01.4987	1830.0040011
01.5114	1830.0030084
01.5115	1830.0030083
01.5532	1830.0030348
01.5533	1830.0030347
01.6836	1830.0030156
01.6837	1830.0030155
01.6840	1830.0030154
01.6841	1830.0030153
01.6842	1830.0030152
01.6843	1830.0030151
01.6902	1830.0030142
01.6903	1830.0030141
01.6906	1830.0030158
01.6907	1830.0030157
01.6908	1830.0030148
01.6909	1830.0030147
01.6921	1830.0030146
01.6922	1830.0030145
01.6949	1830.0030144
01.6950	1830.0030143



AC ROLCAR	KSH
01.7002	1830.0030218
01.7003	1830.0030217
01.7036	1830.0030460
01.7102	1830.0030176
01.7103	1830.0030175
01.7112	1830.0030178
01.7113	1830.0030177
01.7140	1830.0030180
01.7141	1830.0030179
01.7150	1830.0030012
01.7151	1830.0030011
01.7432	1830.0030050
01.7433	1830.0030049
01.7440	1830.0030246
01.7441	1830.0030245
01.7470	1830.0030024
01.7471	1830.0030023
01.7472	1830.0030288
01.7473	1830.0030287
01.7486	1830.0030040
01.7487	1830.0030039
01.7496	1830.0030044
01.7497	1830.0030043
01.7498	1830.0030046
01.7499	1830.0030045
01.7508	1830.0030032
01.7509	1830.0030031
01.7530	1830.0030250
01.7531	1830.0030249
01.7568	1830.0030042
01.7569	1830.0030041
01.7590	1830.0030256
01.7591	1830.0030255
01.7598	1830.0030476
01.7599	1830.0030475
01.7604	1830.0030062
01.7605	1830.0030061
01.7632	1830.0030338
01.7633	1830.0030337
01.7634	1830.0030320
01.7635	1830.0030319
01.7650	1830.0030424
01.7651	1830.0030423
01.7712	1830.0030506
01.7713	1830.0030505
01.7714	1830.0030080
01.7715	1830.0030079
01.7718	1830.0030344
01.7719	1830.0030343
01.7803	1830.0030459
01.7820	1830.0030474
01.7821	1830.0030473
03.1814	1830.30428MA
03.1815	1830.30427MA
03.4134	1830.30426MA
03.4135	1830.30425MA
A1.1750	1830.0030412

AC ROLCAR	KSH
A1.1751	1830.0030411
A1.4118	1830.0030394
A1.4119	1830.0030393
A1.4408	1830.0030018
A1.4409	1830.0030017
A1.4410	1830.0030402
A1.4411	1830.0030401
A1.4413	1830.0030403
A1.4414	1830.0030160
A1.4415	1830.0030159
A1.4534	1830.0030088
A1.4535	1830.0030087
A1.4536	1830.0030076
A1.4537	1830.0030075
A1.4540	1830.0030096
A1.4541	1830.0030095
A1.4604	1830.0030408
A1.4605	1830.0030407
A1.4610	1830.0030094
A1.4611	1830.0030093

Referencias cruzadas OTRAS MARCAS - KSH



Cross references | Correspondances | Corrispondenze por marca | Equivalências de referências

DOGA	KSH
100001	1830.0030093
100002	1830.0030094
100003	1830.0030075
100004	1830.0030076
100005	1830.0030105
100006	1830.0030106
100007	1830.0030135
100008	1830.0030136
100009	1830.0030095
100010	1830.0030096
100011	1830.0030087
100012	1830.0030088
100013	1830.0030097
100014	1830.0030098
100015	1830.0030159
100016	1830.0030160
100019	1830.0030099
100020	1830.0030100
100021	1830.0030149
100022	1830.0030150
100023	1830.0030359
100024	1830.0030360
100025	1830.0030101
100026	1830.0030102
100027	1830.0030187
100028	1830.0030188
100029	1830.0030509
100030	1830.0030510
100043	1830.0030467
100044	1830.0030468
100047	1830.0030103
100048	1830.0030104
100067	1830.0030107
100068	1830.0030108
100071	1830.0030109
100072	1830.0030110
100073	1830.0030111
100074	1830.0030112
100075	1830.0030361
100076	1830.0030362
100077	1830.0030113
100078	1830.0030114
100079	1830.0030115
100080	1830.0030116
100081	1830.0030117
100082	1830.0030118
100083	1830.0030119
100084	1830.0030120
100091	1830.0030469
100092	1830.0030470
100095	1830.0030121
100096	1830.0030122
100097	1830.0030123
100098	1830.0030124
100105	1830.0030125
100106	1830.0030126
100107	1830.0030127

DOGA	KSH
100108	1830.0030128
100119	1830.0030393
100120	1830.0030394
100137	1830.0030311
100138	1830.0030312
100139	1830.0030397
100140	1830.0030398
100143	1830.0030131
100144	1830.0030132
100147	1830.0030133
100148	1830.0030134
100151	1830.0030137
100152	1830.0030138
100155	1830.0030139
100156	1830.0030140
100165	1830.0030141
100166	1830.0030142
100167	1830.0030429
100168	1830.0030430
100173	1830.0030143
100174	1830.0030144
100177	1830.0030145
100178	1830.0030146
100181	1830.0030273
100182	1830.0030274
100191	1830.0030147
100192	1830.0030148
100193	1830.0030151
100194	1830.0030152
100195	1830.0030153
100196	1830.0030154
100197	1830.0030155
100198	1830.0030156
100201	1830.0030157
100202	1830.0030158
100213	1830.0030431
100214	1830.0030432
100221	1830.0030433
100222	1830.0030434
100225	1830.0030161
100226	1830.0030162
100227	1830.0030163
100228	1830.0030164
100229	1830.0030165
100230	1830.0030166
100231	1830.0030313
100232	1830.0030314
100233	1830.0030167
100234	1830.0030168
100237	1830.0030435
100238	1830.0030436
100275	1830.0030307
100276	1830.0030308
100285	1830.0030289
100286	1830.0030290
100287	1830.0030169
100288	1830.0030170



DOGA	KSH
100289	1830.0030471
100290	1830.0030472
100293	1830.0030399
100294	1830.0030400
100295	1830.0030437
100296	1830.0030438
100301	1830.0030171
100302	1830.0030172
100303	1830.0030173
100304	1830.0030174
100305	1830.0030439
100306	1830.0030440
100307	1830.0030473
100308	1830.0030474
100325	1830.0030175
100326	1830.0030176
100329	1830.0030177
100330	1830.0030178
100333	1830.0030179
100334	1830.0030180
100349	1830.0030315
100350	1830.0030316
100357	1830.0030181
100358	1830.0030182
100395	1830.0030291
100396	1830.0030292
100403	1830.0030001
100404	1830.0030002
100415	1830.0030003
100416	1830.0030004
100427	1830.0030005
100428	1830.0030006
100433	1830.0030007
100434	1830.0030008
100435	1830.0030009
100436	1830.0030010
100437	1830.0030293
100438	1830.0030294
100445	1830.0030011
100446	1830.0030012
100509	1830.0030013
100510	1830.0030014
100511	1830.0030475
100512	1830.0030476
100519	1830.0030477
100520	1830.0030478
100525	1830.0030015
100526	1830.0030016
100529	1830.0030017
100530	1830.0030018
100531	1830.0030401
100532	1830.0030402
100533	1830.0030349
100534	1830.0030350
100535	1830.0030403
100536	1830.0030404
100543	1830.0030481

DOGA	KSH
100544	1830.0030482
100553	1830.0030319
100554	1830.0030320
100555	1830.0030183
100556	1830.0030184
100557	1830.0030185
100558	1830.0030186
100585	1830.0030405
100586	1830.0030406
100589	1830.0030189
100590	1830.0030190
100591	1830.0030191
100592	1830.0030192
100595	1830.0030193
100596	1830.0030194
100601	1830.0030321
100602	1830.0030322
100603	1830.0030195
100604	1830.0030196
100605	1830.0030197
100606	1830.0030198
100609	1830.0030281
100610	1830.0030282
100621	1830.0030199
100622	1830.0030200
100623	1830.0030483
100624	1830.0030484
100625	1830.0030201
100626	1830.0030202
100627	1830.0030203
100628	1830.0030204
100629	1830.0030269
100630	1830.0030270
100631	1830.0030205
100632	1830.0030206
100637	1830.0030207
100638	1830.0030208
100641	1830.0030323
100642	1830.0030324
100645	1830.0030441
100651	1830.0030485
100646	1830.0030442
100652	1830.0030486
100655	1830.0030209
100656	1830.0030210
100673	1830.0030211
100674	1830.0030212
100675	1830.0030213
100676	1830.0030214
100677	1830.0030215
100678	1830.0030216
100687	1830.0030407
100688	1830.0030408
100695	1830.0030445
100696	1830.0030446
100697	1830.0040013
100698	1830.0040014

Referencias cruzadas OTRAS MARCAS - KSH



Cross references | Correspondances | Corrispondenze por marca | Equivalências de referências

DOGA	KSH
100699	1830.0030217
100700	1830.0030218
100739	1830.0030409
100740	1830.0030410
100765	1830.0030219
100766	1830.0030220
100767	1830.0030221
100768	1830.0030222
100775	1830.0030363
100776	1830.0030364
100777	1830.0030325
100778	1830.0030326
100787	1830.0030295
100788	1830.0030296
100791	1830.0030223
100792	1830.0030224
100793	1830.0030225
100794	1830.0030226
100795	1830.0030275
100796	1830.0030276
100797	1830.0030227
100798	1830.0030228
100799	1830.0030229
100800	1830.0030230
100801	1830.0030231
100802	1830.0030232
100803	1830.0030233
100804	1830.0030234
100805	1830.0030365
100806	1830.0030366
100807	1830.0030235
100808	1830.0030236
100809	1830.0030283
100810	1830.0030284
100817	1830.0030237
100818	1830.0030238
100831	1830.0040007
100832	1830.0040008
100833	1830.0030451
100834	1830.0030452
100837	1830.0030411
100838	1830.0030412
100843	1830.0030239
100844	1830.0030240
100845	1830.0030241
100846	1830.0030242
100847	1830.0030413
100848	1830.0030414
100853	1830.0030033
100854	1830.0030034
100855	1830.0030285
100856	1830.0030286
100863	1830.0030415
100864	1830.0030416
100871	1830.0030417
100872	1830.0030418
100923	1830.0030327

DOGA	KSH
100924	1830.0030328
100925	1830.0030035
100926	1830.0030036
100935	1830.0030487
100936	1830.0030488
100953	1830.0030037
100954	1830.0030038
101011	1830.0030453
101012	1830.0030454
101015	1830.0030039
101016	1830.0030040
101017	1830.0030041
101018	1830.0030042
101019	1830.0030043
101020	1830.0030044
101021	1830.0030045
101022	1830.0030046
101029	1830.0030329
101030	1830.0030330
101031	1830.0030331
101032	1830.0030332
101033	1830.0030047
101034	1830.0030048
101039	1830.0030049
101040	1830.0030050
101047	1830.0030051
101050	1830.0030053
101051	1830.0030054
101056	1830.0030055
101057	1830.0030056
101062	1830.0030057
101063	1830.0030058
101068	1830.0030243
101069	1830.0030244
101078	1830.0030419
101079	1830.0030420
101082	1830.0030299
101083	1830.0030300
101086	1830.0030301
101087	1830.0030302
101121	1830.0030245
101122	1830.0030246
101123	1830.0030019
101124	1830.0030020
101125	1830.0030021
101126	1830.0030022
101127	1830.0030023
101128	1830.0030024
101129	1830.0030025
101130	1830.0030026
101131	1830.0030027
101132	1830.0030028
101133	1830.0030357
101134	1830.0030358
101135	1830.0030389
101136	1830.0030390
101141	1830.0030029



DOGA	KSH
101142	1830.0030030
101151	1830.0030455
101152	1830.0030456
101153	1830.0030457
101154	1830.0030458
101165	1830.0030333
101166	1830.0030334
101169	1830.0030031
101170	1830.0030032
101179	1830.0030335
101180	1830.0030336
101181	1830.0030247
101182	1830.0030248
101187	1830.0030491
101188	1830.0030492
101189	1830.0030249
101190	1830.0030250
101195	1830.0030337
101196	1830.0030338
101199	1830.0030251
101200	1830.0030252
101201	1830.0030493
101202	1830.0030494
101237	1830.0030309
101238	1830.0030310
101255	1830.0030253
101256	1830.0030254
101261	1830.0030303
101262	1830.0030304
101263	1830.0030255
101264	1830.0030256
101267	1830.0030257
101268	1830.0030258
101273	1830.0030259
101274	1830.0030260
101275	1830.0030261
101276	1830.0030262
101279	1830.0030495
101280	1830.0030496
101283	1830.0030263
101284	1830.0030264
101307	1830.0030265
101308	1830.0030266
101309	1830.0030267
101310	1830.0030268
101311	1830.0030351
101312	1830.0030352
101313	1830.0030367
101314	1830.0030368
101319	1830.0030459
101320	1830.0030460
101327	1830.0030353
101328	1830.0030354
101329	1830.0030383
101330	1830.0030384
101337	1830.0030059
101338	1830.0030060

DOGA	KSH
101341	1830.0030461
101342	1830.0030462
101343	1830.0030061
101344	1830.0030062
101367	1830.0030497
101368	1830.0030498
101371	1830.0030063
101372	1830.0030064
101373	1830.0030339
101374	1830.0030340
101375	1830.0030499
101376	1830.0030500
101377	1830.0030065
101378	1830.0030066
101379	1830.0030421
101380	1830.0030422
101383	1830.0030067
101384	1830.0030068
101389	1830.0030371
101390	1830.0030372
101393	1830.0030355
101394	1830.0030356
101401	1830.0030069
101402	1830.0030070
101403	1830.0030071
101404	1830.0030072
101405	1830.0030287
101406	1830.0030288
101439	1830.0030341
101440	1830.0030342
101441	1830.0030463
101442	1830.0030464
101457	1830.0030073
101458	1830.0030074
101473	1830.0030343
101474	1830.0030344
101491	1830.0030077
101492	1830.0030078
101503	1830.0030271
101504	1830.0030272
101507	1830.0030373
101508	1830.0030374
101525	1830.0030279
101526	1830.0030280
101581	1830.0030079
101582	1830.0030080
101631	1830.0030081
101632	1830.0030082
101633	1830.0030345
101634	1830.0030346
101635	1830.0030083
101636	1830.0030084
101667	1830.0030501
101668	1830.0030502
101669	1830.0030503
101670	1830.0030504
101673	1830.0030375

Referencias cruzadas OTRAS MARCAS - KSH



Cross references | Correspondances | Corrispondenze por marca | Equivalências de referências

DOGA	KSH
101674	1830.0030376
101675	1830.0030377
101676	1830.0030378
101679	1830.0030505
101680	1830.0030506
101683	1830.0030085
101684	1830.0030086
101685	1830.0030347
101686	1830.0030348
101697	1830.0030089
101698	1830.0030090
101699	1830.0030379
101700	1830.0030380
101709	1830.0030423
101710	1830.0030424
101723	1830.0030305
101724	1830.0030306
101730	1830.0030091
101731	1830.0030092
101741	1830.0030507
101742	1830.0030508
110009	1830.30425MA
110010	1830.30426MA
110049	1830.30427MA
110050	1830.30428MA
110073	1830.30391MA
110074	1830.30392MA
120003	1830.0040011
120004	1830.0040012
120011	1830.0040005
120012	1830.0040006
120017	1830.0040015
120018	1830.0040016
120019	1830.0040003
120020	1830.0040004
120023	1830.0040009
120024	1830.0040010
120041	1830.0040001
120042	1830.0040002

ELECTRIC LIFE	KSH
ZR AA37 L	1830.0030467
ZR AA37 R	1830.0030468
ZR AA41 L	1830.0030103
ZR AA41 R	1830.0030104
ZR AA48 L	1830.0030453
ZR AA48 R	1830.0030454
ZR AA703 L	1830.0030257
ZR AA703 R	1830.0030258
ZR AD701 L	1830.0030107
ZR AD701 R	1830.0030108
ZR AD703 L	1830.0030109
ZR AD703 R	1830.0030110
ZR AD704 L	1830.0030111
ZR AD704 R	1830.0030112
ZR AD706 L	1830.0030113
ZR AD706 R	1830.0030114
ZR AD707 L	1830.0030115
ZR AD707 R	1830.0030116
ZR AD708 L	1830.0030117
ZR AD708 R	1830.0030118
ZR AD709 L	1830.0030119
ZR AD709 R	1830.0030120
ZR AD711 L	1830.0030245
ZR AD711 R	1830.0030246
ZR AD720 L	1830.0030375
ZR AD720 R	1830.0030376
ZR BM20 L	1830.0030469
ZR BM20 R	1830.0030470
ZR BM24 L	1830.0030121
ZR BM24 R	1830.0030122
ZR BM25 L	1830.0030123
ZR BM25 R	1830.0030124
ZR BM28 L	1830.0030261
ZR BM28 R	1830.0030262
ZR BM31 L	1830.0030043
ZR BM31 R	1830.0030044
ZR BM32 L	1830.0030045
ZR BM32 R	1830.0030046
ZR BM33 L	1830.0030491
ZR BM33 R	1830.0030492
ZR BM34 L	1830.0030377
ZR BM34 R	1830.0030378
ZR BM701 L	1830.0030039
ZR BM701 R	1830.0030040
ZR BM702 L	1830.0030041
ZR BM702 R	1830.0030042
ZR BM703 L	1830.0030025
ZR BM703 R	1830.0030026
ZR BM704 L	1830.0030027
ZR BM704 R	1830.0030028
ZR BM706 L	1830.0030415
ZR BM706 R	1830.0030416
ZR BM708 L	1830.0030259
ZR BM708 R	1830.0030260
ZR BM709L	1830.0030265
ZR BM709R	1830.0030266
ZR BM710L	1830.0030267



ELECTRIC LIFE	KSH
ZR BM710R	1830.0030268
ZR BM719 L	1830.0030021
ZR BM719 R	1830.0030022
ZR BM725 L	1830.0030287
ZR BM725 R	1830.0030288
ZR CR36 L	1830.0030125
ZR CR36 R	1830.0030126
ZR CR412 L	1830.0030127
ZR CR412 R	1830.0030128
ZR CT13 L B	1830.0030393
ZR CT13 R B	1830.0030394
ZR CT22 L	1830.0030135
ZR CT22 R	1830.0030136
ZR CT701 L	1830.0030139
ZR CT701 R	1830.0030140
ZR CT703 L	1830.0030397
ZR CT703 R	1830.0030398
ZR CT705 L	1830.0030131
ZR CT705 R	1830.0030132
ZR CT707 L	1830.0030133
ZR CT707 R	1830.0030134
ZR CT709 L	1830.0030137
ZR CT709 R	1830.0030138
ZR CT713 L	1830.0030263
ZR CT713 R	1830.0030264
ZR CT714 L	1830.0030495
ZR CT714 R	1830.0030496
ZR CT726 L	1830.0030507
ZR CT726 R	1830.0030508
ZR DN59 L	1830.0030141
ZR DN59 R	1830.0030142
ZR DN67 L B	1830.0030157
ZR DN67 R B	1830.0030158
ZR DN75 L	1830.0030145
ZR DN75 R	1830.0030146
ZR DN78 L	1830.0030273
ZR DN78 R	1830.0030274
ZR DN91 L	1830.0030147
ZR DN91 R	1830.0030148
ZR DN701 L	1830.0030143
ZR DN701 R	1830.0030144
ZR DN702 L	1830.0030355
ZR DN702 R	1830.0030356
ZR DN703 L	1830.0030079
ZR DN703 R	1830.0030080
ZR DW11 L	1830.0030151
ZR DW11 R	1830.0030152
ZR DW14 L	1830.0030153
ZR DW14 R	1830.0030154
ZR DW15 L	1830.0030155
ZR DW15 R	1830.0030156
ZR FR45 L B	1830.0030431
ZR FR45 R B	1830.0030432
ZR FR60 L	1830.0030433
ZR FR60 R	1830.0030434
ZR FR61 L	1830.0030187
ZR FR61 R	1830.0030188

ELECTRIC LIFE	KSH
ZR FR62 L	1830.0030097
ZR FR62 R	1830.0030098
ZR FR71 L	1830.0030313
ZR FR71 R	1830.0030314
ZR FR72 L	1830.0030167
ZR FR72 R	1830.0030168
ZR FR75 L	1830.0030435
ZR FR75 R	1830.0030436
ZR FR701 L	1830.0030161
ZR FR701 R	1830.0030162
ZR FR702 L	1830.0030163
ZR FR702 R	1830.0030164
ZR FR703 L	1830.0030165
ZR FR703 R	1830.0030166
ZR FR704 L	1830.0030333
ZR FR704 R	1830.0030334
ZR FR708 L	1830.0030067
ZR FR708 R	1830.0030068
ZR FR709 L	1830.0030029
ZR FR709 R	1830.0030030
ZR FR710 L	1830.0030501
ZR FR710 R	1830.0030502
ZR FR719 L	1830.0030455
ZR FR719 R	1830.0030456
ZR FR720 L	1830.0030457
ZR FR720 R	1830.0030458
ZR FT72 L	1830.0030289
ZR FT72 R	1830.0030290
ZR FT74 L	1830.0030169
ZR FT74 R	1830.0030170
ZR FT76 L	1830.0030471
ZR FT76 R	1830.0030472
ZR FT81 L	1830.0030399
ZR FT81 R	1830.0030400
ZR FT82 L	1830.0030437
ZR FT82 R	1830.0030438
ZR FT85 L	1830.0030171
ZR FT85 R	1830.0030172
ZR FT90 L	1830.0030173
ZR FT90 R	1830.0030174
ZR FT94 L	1830.0030439
ZR FT94 R	1830.0030440
ZR FT97 L	1830.0030331
ZR FT97 R	1830.0030332
ZR FT701 L	1830.0030309
ZR FT701 R	1830.0030310
ZR FT703 L	1830.0030307
ZR FT703 R	1830.0030308
ZR FT707 L	1830.0030047
ZR FT707 R	1830.0030048
ZR FT909 L	1830.30427MA
ZR FT909 R	1830.30428MA
ZR GM106 L	1830.0030473
ZR GM106 R	1830.0030474
ZR HD67 R	1830.0030460
ZR HDO67 L C	1830.0030459
ZR HY16 L	1830.0030175

Referencias cruzadas OTRAS MARCAS - KSH



Cross references | Correspondances | Corrispondenze por marca | Equivalências de referências

ELECTRIC LIFE	KSH
ZR HY16 R	1830.0030176
ZR HY19 L	1830.0030177
ZR HY19 R	1830.0030178
ZR HY25 L	1830.0030179
ZR HY25 R	1830.0030180
ZR HY33 L	1830.0030049
ZR HY33 R	1830.0030050
ZR HY701 L	1830.0030031
ZR HY701 R	1830.0030032
ZR JE13 L	1830.0030315
ZR JE13 R	1830.0030316
ZR JE19 L	1830.0030181
ZR JE19 R	1830.0030182
ZR LR16 L	1830.0030291
ZR LR16 R	1830.0030292
ZR LR21 L	1830.0030001
ZR LR21 R	1830.0030002
ZR LR23	1830.0030051
ZR ME34 L	1830.0030003
ZR ME34 R	1830.0030004
ZR ME63 LB	1830.0030005
ZR ME63 RB	1830.0030006
ZR ME72 L	1830.0030293
ZR ME72 R	1830.0030294
ZR ME84 L	1830.0030335
ZR ME84 R	1830.0030336
ZR ME701 L	1830.0030007
ZR ME701 R	1830.0030008
ZR ME702 L	1830.0030009
ZR ME702 R	1830.0030010
ZR ME703 L	1830.0030053
ZR ME703 R	1830.0030054
ZR ME706 L	1830.0030247
ZR ME706 R	1830.0030248
ZR ME707 L	1830.0030497
ZR ME707 R	1830.0030498
ZR ME708 L	1830.0030389
ZR ME708 R	1830.0030390
ZR ME709 L	1830.0030061
ZR ME709 R	1830.0030062
ZR ME711 L	1830.0030371
ZR ME711 R	1830.0030372
ZR ME717 L	1830.0030505
ZR ME717 R	1830.0030506
ZR MI32 L B	1830.0030011
ZR MI32 R B	1830.0030012
ZR OP73 L	1830.0030477
ZR OP73 R	1830.0030478
ZR OP701 L	1830.0030013
ZR OP701 R	1830.0030014
ZR OP702 L	1830.0030475
ZR OP702 R	1830.0030476
ZR OP705 L	1830.0030055
ZR OP705 R	1830.0030056
ZR OP708 L	1830.0030249
ZR OP708 R	1830.0030250
ZR OP709 L	1830.0030337

ELECTRIC LIFE	KSH
ZR OP709 R	1830.0030338
ZR OP712 L	1830.0030343
ZR OP712 R	1830.0030344
ZR PG08 L B	1830.0030015
ZR PG08 R B	1830.0030016
ZR PG17 L	1830.0030017
ZR PG17 R	1830.0030018
ZR PG18 L	1830.0030401
ZR PG18 R	1830.0030402
ZR PG19 L	1830.0030159
ZR PG19 R	1830.0030160
ZR PG20 L	1830.0030349
ZR PG20 R	1830.0030350
ZR PG22 L	1830.0030403
ZR PG22 R	1830.0030404
ZR PG30 L	1830.0030481
ZR PG30 R	1830.0030482
ZR PG701 L	1830.0030319
ZR PG701 R	1830.0030320
ZR PG702 L	1830.0030183
ZR PG702 R	1830.0030184
ZR PG703 L	1830.0030185
ZR PG703 R	1830.0030186
ZR PG704 L	1830.0030253
ZR PG704 R	1830.0030254
ZR PG705 L	1830.0030057
ZR PG705 R	1830.0030058
ZR PG708 L	1830.0030037
ZR PG708 R	1830.0030038
ZR PG709 L	1830.0030063
ZR PG709 R	1830.0030064
ZR PG710 L	1830.0030339
ZR PG710 R	1830.0030340
ZR PG713 L	1830.0030423
ZR PG713 R	1830.0030424
ZR RN39 L	1830.0030087
ZR RN39 R	1830.0030088
ZR RN40 L	1830.0030075
ZR RN40 R	1830.0030076
ZR RN41 L	1830.0030405
ZR RN41 R	1830.0030406
ZR RN44 L	1830.0030095
ZR RN44 R	1830.0030096
ZR RN47 L	1830.0030189
ZR RN47 R	1830.0030190
ZR RN48 L	1830.0030149
ZR RN48 R	1830.0030150
ZR RN49 L	1830.0030191
ZR RN49 R	1830.0030192
ZR RN52 L	1830.0030193
ZR RN52 R	1830.0030194
ZR RN57 L	1830.0030321
ZR RN57 R	1830.0030322
ZR RN61 L	1830.0030409
ZR RN61 R	1830.0030410
ZR RN62 L	1830.0030281
ZR RN62 R	1830.0030282



ELECTRIC LIFE	KSH
ZR RN69 L	1830.0030199
ZR RN69 R	1830.0030200
ZR RN70 L	1830.0030483
ZR RN70 R	1830.0030484
ZR RN71 L	1830.0030323
ZR RN71 R	1830.0030324
ZR RN95 L	1830.0030197
ZR RN95 R	1830.0030198
ZR RN701 L	1830.0030201
ZR RN701 R	1830.0030202
ZR RN702 L	1830.0030203
ZR RN702 R	1830.0030204
ZR RN703 L	1830.0030269
ZR RN703 R	1830.0030270
ZR RN704 L	1830.0030205
ZR RN704 R	1830.0030206
ZR RN705 L	1830.0030219
ZR RN705 R	1830.0030220
ZR RN706 L	1830.0030243
ZR RN706 R	1830.0030244
ZR RN707 L	1830.0030221
ZR RN707 R	1830.0030222
ZR RN708 L	1830.0030207
ZR RN708 R	1830.0030208
ZR RN717 L	1830.0030085
ZR RN717 R	1830.0030086
ZR RN718 L	1830.0030347
ZR RN718 R	1830.0030348
ZR RN723 L	1830.0030503
ZR RN723 R	1830.0030504
ZR RN724 L	1830.0030077
ZR RN724 R	1830.0030078
ZR RNO57 L C	1830.0030195
ZR RNO57 R C	1830.0030196
ZR RNO81 L C	1830.0030301
ZR RNO81 R C	1830.0030302
ZR RNO82 L C	1830.0030299
ZR RNO82 R C	1830.0030300
ZR RNO83 L C	1830.0030487
ZR RNO83 R C	1830.0030488
ZR RV15 L	1830.0030485
ZR RV15 R	1830.0030486
ZR RV19 L	1830.0030209
ZR RV19 R	1830.0030210
ZR RVO15 L C	1830.0030441
ZR RVO15 R C	1830.0030442
ZR SB17 L	1830.0030463
ZR SB17 R	1830.0030464
ZR SB701 L	1830.0030341
ZR SB701 R	1830.0030342
ZR SC01 L	1830.0040001
ZR SC01 R	1830.0040002
ZR SK701 L	1830.0030211
ZR SK701 R	1830.0030212
ZR SK702 L	1830.0030213
ZR SK702 R	1830.0030214
ZR SK703 L	1830.0030215

ELECTRIC LIFE	KSH
ZR SK703 R	1830.0030216
ZR SK707 L	1830.0030303
ZR SK707 R	1830.0030304
ZR SK708 L	1830.0030255
ZR SK708 R	1830.0030256
ZR ST10 L B	1830.0030407
ZR ST10 R B	1830.0030408
ZR ST13 L	1830.0030105
ZR ST13 R	1830.0030106
ZR ST14 L	1830.0030093
ZR ST14 R	1830.0030094
ZR ST28 L	1830.0030445
ZR ST28 R	1830.0030446
ZR ST29 L	1830.0030509
ZR ST29 R	1830.0030510
ZR ST701 L	1830.0030239
ZR ST701 R	1830.0030240
ZR ST705 L	1830.0030065
ZR ST705 R	1830.0030066
ZR ST706 L	1830.0030421
ZR ST706 R	1830.0030422
ZR ST707 L	1830.0030271
ZR ST707 R	1830.0030272
ZR SZ02 L	1830.0030217
ZR SZ02 R	1830.0030218
ZR TY703 L	1830.0030069
ZR TY703 R	1830.0030070
ZR VK16 L B	1830.0030363
ZR VK16 R B	1830.0030364
ZR VK23 L B	1830.0030325
ZR VK23 R B	1830.0030326
ZR VK38 L B	1830.0030359
ZR VK38 R B	1830.0030360
ZR VK39 L B	1830.0030295
ZR VK39 R B	1830.0030296
ZR VK95 L	1830.0030283
ZR VK95 R	1830.0030284
ZR VK702 L	1830.0030101
ZR VK702 R	1830.0030102
ZR VK704 L	1830.0030099
ZR VK704 R	1830.0030100
ZR VK705 L	1830.0030223
ZR VK705 R	1830.0030224
ZR VK706 L	1830.0030225
ZR VK706 R	1830.0030226
ZR VK707 L	1830.0030275
ZR VK707 R	1830.0030276
ZR VK708L	1830.0030227
ZR VK708R	1830.0030228
ZR VK709 L	1830.0030229
ZR VK709 R	1830.0030230
ZR VK710 L	1830.0030231
ZR VK710 R	1830.0030232
ZR VK711 L	1830.0030233
ZR VK711 R	1830.0030234
ZR VK712 L	1830.0030365
ZR VK712 R	1830.0030366

Referencias cruzadas OTRAS MARCAS - KSH



Cross references | Correspondances | Corrispondenze por marca | Equivalências de referências

ELECTRIC LIFE	KSH
ZR VK713 L	1830.0030235
ZR VK713 R	1830.0030236
ZR VK714 L	1830.0030419
ZR VK714 R	1830.0030420
ZR VK715 L	1830.0030251
ZR VK715 R	1830.0030252
ZR VK716 L	1830.0030493
ZR VK716 R	1830.0030494
ZR VK720 L	1830.0030083
ZR VK720 R	1830.0030084
ZR VK721 L	1830.0030081
ZR VK721 R	1830.0030082
ZR VK722 L	1830.0030345
ZR VK722 R	1830.0030346
ZR VK725 L	1830.0030059
ZR VK725 R	1830.0030060
ZR VK727 L	1830.0030019
ZR VK727 R	1830.0030020
ZR VK728 L	1830.0030305
ZR VK728 R	1830.0030306
ZR VK732 L	1830.0030089
ZR VK732 R	1830.0030090
ZR VK743 L	1830.0030461
ZR VK743 R	1830.0030462
ZR VK901 L	1830.30391MA
ZR VK901 R	1830.30392MA
ZR VL15 L	1830.0030237
ZR VL15 R	1830.0030238
ZR ZA19 L	1830.0040007
ZR ZA19 R	1830.0040008
ZR ZA21 L B	1830.0030451
ZR ZA21 R B	1830.0030452
ZR ZA24 L	1830.0030411
ZR ZA24 R	1830.0030412
ZR ZA29 L	1830.0040013
ZR ZA29 R	1830.0040014
ZR ZA31 L	1830.0030241
ZR ZA31 R	1830.0030242
ZR ZA32 L	1830.0030413
ZR ZA32 R	1830.0030414
ZR ZA40 L	1830.0030073
ZR ZA40 R	1830.0030074
ZR ZA48 L	1830.0040005
ZR ZA48 R	1830.0040006
ZR ZA50 L	1830.0040015
ZR ZA50 R	1830.0040016
ZR ZA61 L	1830.0040003
ZR ZA61 R	1830.0040004
ZR ZA124 L	1830.0040011
ZR ZA124 R	1830.0040012
ZR ZA126 L	1830.0040009
ZR ZA126 R	1830.0040010
ZR ZA702 L	1830.0030033
ZR ZA702 R	1830.0030034
ZR ZA703 L	1830.0030285
ZR ZA703 R	1830.0030286
ZR ZA704 L	1830.0030329

ELECTRIC LIFE	KSH
ZR ZA704 R	1830.0030330
ZR ZA910 L	1830.40017MA
ZR ZA910 R	1830.40018MA
ZR ZA931 L	1830.30425MA
ZR ZA931 R	1830.30426MA

FEBI BILSTEIN	KSH
14722	1830.30019MA
14724	1830.30020MA



LEMFÖRDER	KSH
60.09066.0	1830.0030096
60.09067.0	1830.0030095
60.09070.0	1830.0030150
60.09071.0	1830.0030149
60.09072.0	1830.0030192
60.09073.0	1830.0030191
60.09078.0	1830.0030190
60.09079.0	1830.0030189
60.09080.0	1830.0030088
60.09081.0	1830.0030087
60.09084.0	1830.0030076
60.09085.0	1830.0030075
60.10002.0	1830.0030004
60.10003.0	1830.0030003
60.12030.0	1830.0030468
60.12031.0	1830.0030467
60.20006.0	1830.0030210
60.20007.0	1830.0030209
60.20008.0	1830.0030486
60.20009.0	1830.0030485
60.27038.0	1830.0030408
60.27039.0	1830.0030407
60.27052.0	1830.0030094
60.27053.0	1830.0030093
60.27058.0	1830.0030106
60.27059.0	1830.0030105
60.27162.0	1830.0030380
60.27163.0	1830.0030379
60.30002.0	1830.0030364
60.30003.0	1830.0030363
60.30010.0	1830.0030360
60.30011.0	1830.0030359
60.30012.0	1830.0030296
60.30013.0	1830.0030295
60.39002.0	1830.0030470
60.39003.0	1830.0030469
60.39008.0	1830.0030122
60.39009.0	1830.0030121
60.39010.0	1830.0030124
60.39011.0	1830.0030123
60.40010.0	1830.0030018
60.40011.0	1830.0030017
60.40022.0	1830.0030160
60.40023.0	1830.0030159
60.40024.0	1830.0030350
60.40025.0	1830.0030349
60.40034.0	1830.0030404
60.40035.0	1830.0030403
60.40036.0	1830.0030402
60.40037.0	1830.0030401
60.40038.0	1830.0030016
60.40039.0	1830.0030015
60.40140.0	1830.0030482
60.40141.0	1830.0030481
60.42002.0	1830.0030142
60.42003.0	1830.0030141
60.42012.0	1830.0030146

LEMFÖRDER	KSH
60.42013.0	1830.0030145
60.45000.0	1830.0030176
60.45001.0	1830.0030175
60.47000.0	1830.0030154
60.47001.0	1830.0030153
60.47002.0	1830.0030152
60.47003.0	1830.0030151
60.49006.0	1830.0030432
60.49007.0	1830.0030431
60.49010.0	1830.0030434
60.49011.0	1830.0030433
60.50044.0	1830.0030394
60.50045.0	1830.0030393
60.50052.0	1830.0030136
60.50053.0	1830.0030135
60.60008.0	1830.0030238
60.60009.0	1830.0030237
60.70232.0	1830.0030472
60.70233.0	1830.0030471
60.70240.0	1830.0030290
60.70241.0	1830.0030289
60.80066.0	1830.0030406
60.80067.0	1830.0030405
60.80098.0	1830.0030167
60.80099.0	1830.0030168
60.80112.0	1830.0030321
60.80113.0	1830.0030322
60.80114.0	1830.0030197
60.80115.0	1830.0030198
60.80160.0	1830.0030400
60.80161.0	1830.0030399
60.80162.0	1830.0030438
60.80163.0	1830.0030437
60.80170.0	1830.0030064
60.80170.0	1830.0030328
60.80171.0	1830.0030063
60.80171.0	1830.0030327
60.80172.0	1830.0030036
60.80172.0	1830.0030340
60.80173.0	1830.0030035
60.80173.0	1830.0030339
60.80180.0	1830.0030104
60.80181.0	1830.0030103
60.80196.0	1830.0030156
60.80197.0	1830.0030155
60.80200.0	1830.0030170
60.80201.0	1830.0030169
60.80202.0	1830.0030188
60.80203.0	1830.0030187
60.80204.0	1830.0030098
60.80205.0	1830.0030097
60.80210.0	1830.0030314
60.80211.0	1830.0030313
60.80216.0	1830.0030436
60.80217.0	1830.0030435
60.80220.0	1830.0030430
60.80221.0	1830.0030429

Referencias cruzadas OTRAS MARCAS - KSH



Cross references | Correspondances | Corrispondenze por marca | Equivalências de referências

LEMFÖRDER	KSH
60.80226.0	1830.0030180
60.80227.0	1830.0030179
60.80228.0	1830.0030178
60.80229.0	1830.0030177
60.80230.0	1830.0030294
60.80231.0	1830.0030293
60.80270.0	1830.0030194
60.80271.0	1830.0030193
60.80276.0	1830.0030162
60.80277.0	1830.0030161
60.80278.0	1830.0030164
60.80279.0	1830.0030037
60.80279.0	1830.0030163
60.80280.0	1830.0030166
60.80281.0	1830.0030165
60.80286.0	1830.0030008
60.80287.0	1830.0030007
60.80294.0	1830.0030410
60.80295.0	1830.0030409
60.80296.0	1830.0030446
60.80297.0	1830.0030445
60.80298.0	1830.0030510
60.80299.0	1830.0030509
60.80300.0	1830.0030102
60.80301.0	1830.0030101
60.80304.0	1830.0030230
60.80305.0	1830.0030229
60.80306.0	1830.0030224
60.80307.0	1830.0030223
60.80308.0	1830.0030228
60.80309.0	1830.0030227
60.80310.0	1830.0030276
60.80311.0	1830.0030275
60.80314.0	1830.0030416
60.80315.0	1830.0030415
60.80316.0	1830.0030260
60.80317.0	1830.0030259
60.80330.0	1830.0030010
60.80331.0	1830.0030009
60.80334.0	1830.0030204
60.80335.0	1830.0030203
60.80336.0	1830.0030282
60.80337.0	1830.0030281
60.80340.0	1830.0030212
60.80341.0	1830.0030211
60.80342.0	1830.0030214
60.80343.0	1830.0030213
60.80344.0	1830.0030284
60.80345.0	1830.0030283
60.80346.0	1830.0030226
60.80347.0	1830.0030225
60.80348.0	1830.0030216
60.80349.0	1830.0030215
60.80360.0	1830.0030302
60.80361.0	1830.0030301
60.80366.0	1830.0030112
60.80367.0	1830.0030111

LEMFÖRDER	KSH
60.80368.0	1830.0030362
60.80369.0	1830.0030361
60.80370.0	1830.0030114
60.80371.0	1830.0030113
60.80376.0	1830.0030418
60.80377.0	1830.0030417
60.80382.0	1830.0030398
60.80383.0	1830.0030397
60.80388.0	1830.0030312
60.80389.0	1830.0030311
60.80390.0	1830.0030474
60.80391.0	1830.0030473
60.80396.0	1830.0030442
60.80397.0	1830.0030441
60.80412.0	1830.0030172
60.80413.0	1830.0030171
60.80416.0	1830.0030174
60.80417.0	1830.0030173
60.80420.0	1830.30428MA
60.80421.0	1830.30427MA
60.80428.0	1830.0030478
60.80429.0	1830.0030477
60.80438.0	1830.0030270
60.80439.0	1830.0030269
60.80450.0	1830.0030232
60.80451.0	1830.0030231
60.80452.0	1830.0030234
60.80453.0	1830.0030233
60.80454.0	1830.0030508
60.80454.0	1830.30426MA
60.80455.0	1830.0030507
60.80455.0	1830.30425MA
60.80456.0	1830.0030240
60.80457.0	1830.0030239
60.80468.0	1830.0030120
60.80469.0	1830.0030119
60.80470.0	1830.0030116
60.80471.0	1830.0030115
60.80472.0	1830.0030118
60.80473.0	1830.0030117
60.80474.0	1830.0030110
60.80475.0	1830.0030109
60.80476.0	1830.0030108
60.80477.0	1830.0030107
60.80488.0	1830.0030132
60.80489.0	1830.0030131
60.80518.0	1830.0030144
60.80519.0	1830.0030143
60.80538.0	1830.0030320
60.80539.0	1830.0030319
60.80550.0	1830.0030202
60.80551.0	1830.0030201
60.80552.0	1830.0030222
60.80553.0	1830.0030221
60.80554.0	1830.0030220
60.80555.0	1830.0030219
60.80556.0	1830.0030206



LEMFÖRDER	KSH
60.80557.0	1830.0030205
60.80562.0	1830.0030464
60.80563.0	1830.0030463
60.80602.0	1830.0030453
60.80603.0	1830.0030454
60.80608.0	1830.0030245
60.80609.0	1830.0030246
60.80618.0	1830.0030133
60.80619.0	1830.0030134
60.80620.0	1830.0030137
60.80621.0	1830.0030138
60.80644.0	1830.0030068
60.80645.0	1830.0030067
60.80650.0	1830.0030439
60.80651.0	1830.0030440
60.80656.0	1830.0030331
60.80657.0	1830.0030332
60.80662.0	1830.0030049
60.80663.0	1830.0030050
60.80703.0	1830.0030475
60.80704.0	1830.0030476
60.80705.0	1830.0030055
60.80706.0	1830.0030056
60.80717.0	1830.0030183
60.80718.0	1830.0030184
60.80721.0	1830.0030253
60.80722.0	1830.0030058
60.80722.0	1830.0030254
60.80723.0	1830.0030057
60.80730.0	1830.0030038
60.80735.0	1830.0030199
60.80736.0	1830.0030200
60.80737.0	1830.0030243
60.80738.0	1830.0030244
60.80739.0	1830.0030207
60.80740.0	1830.0030208
60.80743.0	1830.0030483
60.80744.0	1830.0030484
60.80745.0	1830.0030323
60.80746.0	1830.0030324
60.80755.0	1830.0030195
60.80756.0	1830.0030196
60.80767.0	1830.0030303
60.80768.0	1830.0030304
60.80769.0	1830.0030255
60.80770.0	1830.0030256
60.80795.0	1830.0030235
60.80796.0	1830.0030236
60.80805.0	1830.0030329
60.80806.0	1830.0030330
60.80819.0	1830.0030498
60.80820.0	1830.0030497
60.80839.0	1830.0030022
60.80840.0	1830.0030021
60.80841.0	1830.0030288
60.80842.0	1830.0030287
60.80843.0	1830.0030026

LEMFÖRDER	KSH
60.80844.0	1830.0030025
60.80845.0	1830.0030028
60.80846.0	1830.0030027
60.80855.0	1830.0030257
60.80856.0	1830.0030258
60.80861.0	1830.0030261
60.80862.0	1830.0030262
60.80865.0	1830.0030495
60.80866.0	1830.0030496
60.80869.0	1830.0030263
60.80870.0	1830.0030264
60.80887.0	1830.0030491
60.80888.0	1830.0030492
60.80897.0	1830.0030333
60.80898.0	1830.0030334
60.80901.0	1830.0030031
60.80902.0	1830.0030032
60.80915.0	1830.0030249
60.80916.0	1830.0030250
60.80921.0	1830.0030337
60.80922.0	1830.0030338
60.80925.0	1830.0030251
60.80926.0	1830.0030252
60.80927.0	1830.0030493
60.80928.0	1830.0030494
60.80929.0	1830.0030419
60.80930.0	1830.0030420
60.80967.0	1830.0030047
60.80968.0	1830.0030048
60.80975.0	1830.0030073
60.80976.0	1830.0030074
60.80989.0	1830.0030371
60.80990.0	1830.0030372
60.80997.0	1830.0030343
60.80998.0	1830.0030344
60.81031.0	1830.0030421
60.81032.0	1830.0030422
60.81041.0	1830.0030271
60.81042.0	1830.0030272
60.81047.0	1830.0030069
60.81048.0	1830.0030070
60.81104.0	1830.0030374
60.81105.0	1830.0030373
60.81108.0	1830.0030024
60.81109.0	1830.0030023
60.81220.0	1830.0030130
60.81221.0	1830.0030129
60.81240.0	1830.0030310
60.81241.0	1830.0030309
60.81256.0	1830.0030456
60.81257.0	1830.0030455
60.81258.0	1830.0030458
60.81259.0	1830.0030457
60.81550.0	1830.0030306
60.81551.0	1830.0030305
60.81558.0	1830.0030072
60.81559.0	1830.0030071

Referencias cruzadas OTRAS MARCAS - KSH



Cross references | Correspondances | Corrispondenze por marca | Equivalências de referências

LEMFÖRDER	KSH
60.81690.0	1830.0030424
60.81691.0	1830.0030423
60.81710.0	1830.0030086
60.81711.0	1830.0030085
60.81712.0	1830.0030348
60.81713.0	1830.0030347
60.81730.0	1830.0030504
60.81731.0	1830.0030503
60.81734.0	1830.0030488
60.81735.0	1830.0030487
60.81794.0	1830.0030078
60.81795.0	1830.0030077
60.81853.0	1830.0030019
60.81854.0	1830.0030020
60.81862.0	1830.0030462
60.81863.0	1830.0030461
60.81872.0	1830.0030082
60.81873.0	1830.0030081
60.81874.0	1830.0030346
60.81875.0	1830.0030345
60.81944.0	1830.0030502
60.81945.0	1830.0030501
60.81954.0	1830.0030378
60.81955.0	1830.0030377
63.32030.0	1830.0030218
63.32031.0	1830.0030217
63.42008.0	1830.0030158
63.42009.0	1830.0030157
63.42010.0	1830.0030148
63.42011.0	1830.0030147
63.47002.0	1830.0030012
63.47003.0	1830.0030011
63.80136.0	1830.0030291
63.80137.0	1830.0030292
63.80328.0	1830.0030002
63.80329.0	1830.0030001
63.80510.0	1830.0030316
63.80511.0	1830.0030315
63.80610.0	1830.0030043
63.80611.0	1830.0030044
63.80612.0	1830.0030045
63.80613.0	1830.0030046
63.80614.0	1830.0030039
63.80615.0	1830.0030040
63.80616.0	1830.0030041
63.80617.0	1830.0030042
63.80632.0	1830.0030273
63.80633.0	1830.0030274
63.80666.0	1830.0030181
63.80667.0	1830.0030182
63.80682.0	1830.0030051
63.80793.0	1830.0030335
63.80794.0	1830.0030336
63.80805.0	1830.0030265
63.80806.0	1830.0030266
63.80807.0	1830.0030267
63.80808.0	1830.0030268

LEMFÖRDER	KSH
63.80817.0	1830.0030355
63.80818.0	1830.0030356
63.80821.0	1830.0030079
63.80822.0	1830.0030080
64.09186.0	1830.0040014
64.09187.0	1830.0040013
64.10000.0	1830.0030006
64.10001.0	1830.0030005
64.30022.0	1830.0030326
64.30023.0	1830.0030325
64.40000.0	1830.0030412
64.40001.0	1830.0030411
64.55002.0	1830.0030126
64.55003.0	1830.0030125
64.70088.0	1830.0030452
64.70089.0	1830.0030451
64.80018.0	1830.0030242
64.80019.0	1830.0030241
64.80178.0	1830.0030414
64.80179.0	1830.0030413
64.80480.0	1830.0030128
64.80480.0	1830.0030368
64.80481.0	1830.0030127
64.80481.0	1830.0030367
64.80496.0	1830.0030034
64.80497.0	1830.0030033
64.80693.0	1830.0030053
64.80694.0	1830.0030054
64.80803.0	1830.0030285
64.80804.0	1830.0030286
64.81554.0	1830.0030506
64.81555.0	1830.0030505
64.81556.0	1830.0030500
64.81557.0	1830.0030499
65.75004.0	1830.0040008
65.75005.0	1830.0040007
65.80366.0	1830.40018MA
65.80367.0	1830.40017MA
65.80376.0	1830.0040005
65.80377.0	1830.0040006
65.80382.0	1830.0040015
65.80383.0	1830.0040016
65.80384.0	1830.0040003
65.80385.0	1830.0040004
65.80388.0	1830.0040009
65.80389.0	1830.0040010
65.81372.0	1830.0040011
65.81373.0	1830.0040012
65.81740.0	1830.0040001
65.81741.0	1830.0040002



LIFT-TEK	KSH
LT AA37 L	1830.0030467
LT AA37 R	1830.0030468
LT AA41 L	1830.0030103
LT AA41 R	1830.0030104
LT AA48 L	1830.0030453
LT AA48 R	1830.0030454
LT AA703 L	1830.0030257
LT AA703 R	1830.0030258
LT AD701 L	1830.0030107
LT AD701 R	1830.0030108
LT AD703 L	1830.0030109
LT AD703 R	1830.0030110
LT AD704 L	1830.0030111
LT AD704 R	1830.0030112
LT AD706 L	1830.0030113
LT AD706 R	1830.0030114
LT AD707 L	1830.0030115
LT AD707 R	1830.0030116
LT AD708 L	1830.0030117
LT AD708 R	1830.0030118
LT AD709 L	1830.0030119
LT AD709 R	1830.0030120
LT AD711 L	1830.0030245
LT AD711 R	1830.0030246
LT AD720 L	1830.0030375
LT AD720 R	1830.0030376
LT BM20 L	1830.0030469
LT BM20 R	1830.0030470
LT BM24 L	1830.0030121
LT BM24 R	1830.0030122
LT BM25 L	1830.0030123
LT BM25 R	1830.0030124
LT BM28 L	1830.0030261
LT BM28 R	1830.0030262
LT BM31 L	1830.0030043
LT BM31 R	1830.0030044
LT BM32 L	1830.0030045
LT BM32 R	1830.0030046
LT BM33 L	1830.0030491
LT BM33 R	1830.0030492
LT BM34 L	1830.0030377
LT BM34 R	1830.0030378
LT BM701 L	1830.0030039
LT BM701 R	1830.0030040
LT BM702 L	1830.0030041
LT BM702 R	1830.0030042
LT BM703 L	1830.0030025
LT BM703 R	1830.0030026
LT BM704 L	1830.0030027
LT BM704 R	1830.0030028
LT BM706 L	1830.0030415
LT BM706 R	1830.0030416
LT BM708 L	1830.0030259
LT BM708 R	1830.0030260
LT BM709 L	1830.0030265
LT BM709 R	1830.0030266
LT BM710 L	1830.0030267

LIFT-TEK	KSH
LT BM710 R	1830.0030268
LT BM719 L	1830.0030021
LT BM719 R	1830.0030022
LT BM725 L	1830.0030287
LT BM725 R	1830.0030288
LT CR36 L	1830.0030125
LT CR36 R	1830.0030126
LT CR412 L	1830.0030127
LT CR412 R	1830.0030128
LT CT13 L B	1830.0030393
LT CT13 R B	1830.0030394
LT CT22 L	1830.0030135
LT CT22 R	1830.0030136
LT CT701 L	1830.0030139
LT CT701 R	1830.0030140
LT CT703 L	1830.0030397
LT CT703 R	1830.0030398
LT CT705 L	1830.0030131
LT CT705 R	1830.0030132
LT CT707 L	1830.0030133
LT CT707 R	1830.0030134
LT CT709 L	1830.0030137
LT CT709 R	1830.0030138
LT CT713 L	1830.0030263
LT CT713 R	1830.0030264
LT CT714 L	1830.0030495
LT CT714 R	1830.0030496
LT CT726 L	1830.0030507
LT CT726 R	1830.0030508
LT DN59 L	1830.0030141
LT DN59 R	1830.0030142
LT DN67 L B	1830.0030157
LT DN67 R B	1830.0030158
LT DN75 L	1830.0030145
LT DN75 R	1830.0030146
LT DN78 L	1830.0030273
LT DN78 R	1830.0030274
LT DN91 L	1830.0030147
LT DN91 R	1830.0030148
LT DN701 L	1830.0030143
LT DN701 R	1830.0030144
LT DN702 L	1830.0030355
LT DN702 R	1830.0030356
LT DN703 L	1830.0030079
LT DN703 R	1830.0030080
LT DW11 L	1830.0030151
LT DW11 R	1830.0030152
LT DW14 L	1830.0030153
LT DW14 R	1830.0030154
LT DW15 L	1830.0030155
LT DW15 R	1830.0030156
LT FR45 L B	1830.0030431
LT FR45 R B	1830.0030432
LT FR60 L	1830.0030433
LT FR60 R	1830.0030434
LT FR61 L	1830.0030187
LT FR61 R	1830.0030188

Referencias cruzadas OTRAS MARCAS - KSH



Cross references | Correspondances | Corrispondenze por marca | Equivalências de referências

LIFT-TEK	KSH
LT FR62 L	1830.0030097
LT FR62 R	1830.0030098
LT FR71 L	1830.0030313
LT FR71 R	1830.0030314
LT FR72 L	1830.0030167
LT FR72 R	1830.0030168
LT FR75 L	1830.0030435
LT FR75 R	1830.0030436
LT FR701 L	1830.0030161
LT FR701 R	1830.0030162
LT FR702 L	1830.0030163
LT FR702 R	1830.0030164
LT FR703 L	1830.0030165
LT FR703 R	1830.0030166
LT FR704 L	1830.0030333
LT FR704 R	1830.0030334
LT FR708 L	1830.0030067
LT FR708 R	1830.0030068
LT FR709 L	1830.0030029
LT FR709 R	1830.0030030
LT FR710 R	1830.0030501
LT FR710 R	1830.0030502
LT FR719 L	1830.0030455
LT FR719 R	1830.0030456
LT FR720 L	1830.0030457
LT FR720 R	1830.0030458
LT FT72 L	1830.0030289
LT FT72 R	1830.0030290
LT FT74 L	1830.0030169
LT FT74 R	1830.0030170
LT FT76 L	1830.0030471
LT FT76 R	1830.0030472
LT FT81 L	1830.0030399
LT FT81 R	1830.0030400
LT FT82 L	1830.0030437
LT FT82 R	1830.0030438
LT FT85 L	1830.0030171
LT FT85 R	1830.0030172
LT FT90 L	1830.0030173
LT FT90 R	1830.0030174
LT FT94 L	1830.0030439
LT FT94 R	1830.0030440
LT FT97 L	1830.0030331
LT FT97 R	1830.0030332
LT FT701 L	1830.0030309
LT FT701 R	1830.0030310
LT FT703 L	1830.0030307
LT FT703 R	1830.0030308
LT FT707 L	1830.0030047
LT FT707 R	1830.0030048
LT FT909 L	1830.30427MA
LT FT909 R	1830.30428MA
LT GM106 L	1830.0030473
LT GM106 R	1830.0030474
LT HD67 R	1830.0030460
LT HDO67 L C	1830.0030459
LT HY16 L	1830.0030175

LIFT-TEK	KSH
LT HY16 R	1830.0030176
LT HY19 L	1830.0030177
LT HY19 R	1830.0030178
LT HY25 L	1830.0030179
LT HY25 R	1830.0030180
LT HY33 L	1830.0030049
LT HY33 R	1830.0030050
LT HY701 L	1830.0030031
LT HY701 R	1830.0030032
LT JE13 L	1830.0030315
LT JE13 R	1830.0030316
LT JE19 L	1830.0030181
LT JE19 R	1830.0030182
LT LR16 L	1830.0030291
LT LR16 R	1830.0030292
LT LR21 L	1830.0030001
LT LR21 R	1830.0030002
LT LR23	1830.0030051
LT ME34 L	1830.0030003
LT ME34 R	1830.0030004
LT ME63 LB	1830.0030005
LT ME63 RB	1830.0030006
LT ME72 L	1830.0030293
LT ME72 R	1830.0030294
LT ME84 L	1830.0030335
LT ME84 R	1830.0030336
LT ME701 L	1830.0030007
LT ME701 R	1830.0030008
LT ME702 L	1830.0030009
LT ME702 R	1830.0030010
LT ME703 L	1830.0030053
LT ME703 R	1830.0030054
LT ME706 L	1830.0030247
LT ME706 R	1830.0030248
LT ME707 L	1830.0030497
LT ME707 R	1830.0030498
LT ME708 L	1830.0030389
LT ME708 R	1830.0030390
LT ME709 L	1830.0030061
LT ME709 R	1830.0030062
LT ME711 L	1830.0030371
LT ME711 R	1830.0030372
LT ME717 L	1830.0030505
LT ME717 R	1830.0030506
LT MI32 L B	1830.0030011
LT MI32 R B	1830.0030012
LT OP73 L	1830.0030477
LT OP73 R	1830.0030478
LT OP701 L	1830.0030013
LT OP701 R	1830.0030014
LT OP702 L	1830.0030475
LT OP702 R	1830.0030476
LT OP705 L	1830.0030055
LT OP705 R	1830.0030056
LT OP708 L	1830.0030249
LT OP708 R	1830.0030250
LT OP709 L	1830.0030337



LIFT-TEK	KSH
LT OP709 R	1830.0030338
LT OP712 L	1830.0030343
LT OP712 R	1830.0030344
LT PG08 L B	1830.0030015
LT PG08 R B	1830.0030016
LT PG17 L	1830.0030017
LT PG17 R	1830.0030018
LT PG18 L	1830.0030401
LT PG18 R	1830.0030402
LT PG19 L	1830.0030159
LT PG19 R	1830.0030160
LT PG20 L	1830.0030349
LT PG20 R	1830.0030350
LT PG22 L	1830.0030403
LT PG22 R	1830.0030404
LT PG30 L	1830.0030481
LT PG30 R	1830.0030482
LT PG701 L	1830.0030319
LT PG701 R	1830.0030320
LT PG702 L	1830.0030183
LT PG702 R	1830.0030184
LT PG703 L	1830.0030185
LT PG703 R	1830.0030186
LT PG704 L	1830.0030253
LT PG704 R	1830.0030254
LT PG705 L	1830.0030057
LT PG705 R	1830.0030058
LT PG708 L	1830.0030037
LT PG708 R	1830.0030038
LT PG709 L	1830.0030063
LT PG709 R	1830.0030064
LT PG710 L	1830.0030339
LT PG710 R	1830.0030340
LT PG713 L	1830.0030423
LT PG713 R	1830.0030424
LT RN39 L	1830.0030087
LT RN39 R	1830.0030088
LT RN40 L	1830.0030075
LT RN40 R	1830.0030076
LT RN41 L	1830.0030405
LT RN41 R	1830.0030406
LT RN44 L	1830.0030095
LT RN44 R	1830.0030096
LT RN47 L	1830.0030189
LT RN47 R	1830.0030190
LT RN48 L	1830.0030149
LT RN48 R	1830.0030150
LT RN49 L	1830.0030191
LT RN49 R	1830.0030192
LT RN52 L	1830.0030193
LT RN52 R	1830.0030194
LT RN57 L	1830.0030321
LT RN57 R	1830.0030322
LT RN61 L	1830.0030409
LT RN61 R	1830.0030410
LT RN62 L	1830.0030281
LT RN62 R	1830.0030282

LIFT-TEK	KSH
LT RN69 L	1830.0030199
LT RN69 R	1830.0030200
LT RN70 L	1830.0030483
LT RN70 R	1830.0030484
LT RN71 L	1830.0030323
LT RN71 R	1830.0030324
LT RN95 L	1830.0030197
LT RN95 R	1830.0030198
LT RN701 L	1830.0030201
LT RN701 R	1830.0030202
LT RN702 L	1830.0030203
LT RN702 R	1830.0030204
LT RN703 L	1830.0030269
LT RN703 R	1830.0030270
LT RN704 L	1830.0030205
LT RN704 R	1830.0030206
LT RN705 L	1830.0030219
LT RN705 R	1830.0030220
LT RN706 L	1830.0030243
LT RN706 R	1830.0030244
LT RN707 L	1830.0030221
LT RN707 R	1830.0030222
LT RN708 L	1830.0030207
LT RN708 R	1830.0030208
LT RN717 L	1830.0030085
LT RN717 R	1830.0030086
LT RN718 L	1830.0030347
LT RN718 R	1830.0030348
LT RN723 L	1830.0030503
LT RN723 R	1830.0030504
LT RN724 L	1830.0030077
LT RN724 R	1830.0030078
LT RNO57 L C	1830.0030195
LT RNO57 R C	1830.0030196
LT RNO81 L C	1830.0030301
LT RNO81 R C	1830.0030302
LT RNO82 L C	1830.0030299
LT RNO82 R C	1830.0030300
LT RNO83 L C	1830.0030487
LT RNO83 R C	1830.0030488
LT RV15 L	1830.0030485
LT RV15 R	1830.0030486
LT RV19 L	1830.0030209
LT RV19 R	1830.0030210
LT RVO15 L C	1830.0030441
LT RVO15 R C	1830.0030442
LT SB17 L	1830.0030463
LT SB17 R	1830.0030464
LT SB701 L	1830.0030341
LT SB701 R	1830.0030342
LT SC01 L	1830.0040001
LT SC01 R	1830.0040002
LT SK701 L	1830.0030211
LT SK701 R	1830.0030212
LT SK702 L	1830.0030213
LT SK702 R	1830.0030214
LT SK703 L	1830.0030215

Referencias cruzadas OTRAS MARCAS - KSH



Cross references | Correspondances | Corrispondenze por marca | Equivalências de referências

LIFT-TEK	KSH
LT SK703 R	1830.0030216
LT SK707 L	1830.0030303
LT SK707 R	1830.0030304
LT SK708 L	1830.0030255
LT SK708 R	1830.0030256
LT ST10 L B	1830.0030407
LT ST10 R B	1830.0030408
LT ST13 L	1830.0030105
LT ST13 R	1830.0030106
LT ST14 L	1830.0030093
LT ST14 R	1830.0030094
LT ST28 L	1830.0030445
LT ST28 R	1830.0030446
LT ST29 L	1830.0030509
LT ST29 R	1830.0030510
LT ST701 L	1830.0030239
LT ST701 R	1830.0030240
LT ST705 L	1830.0030065
LT ST705 R	1830.0030066
LT ST706 L	1830.0030421
LT ST706 R	1830.0030422
LT ST707 L	1830.0030271
LT ST707 R	1830.0030272
LT SZ02 L	1830.0030217
LT SZ02 R	1830.0030218
LT TY703 L	1830.0030069
LT TY703 R	1830.0030070
LT VK16 L B	1830.0030363
LT VK16 R B	1830.0030364
LT VK23 L B	1830.0030325
LT VK23 R B	1830.0030326
LT VK38 L B	1830.0030359
LT VK38 R B	1830.0030360
LT VK39 L B	1830.0030295
LT VK39 R B	1830.0030296
LT VK95 L	1830.0030283
LT VK95 R	1830.0030284
LT VK702 L	1830.0030101
LT VK702 R	1830.0030102
LT VK704 L	1830.0030099
LT VK704 R	1830.0030100
LT VK705 L	1830.0030223
LT VK705 R	1830.0030224
LT VK706 L	1830.0030225
LT VK706 R	1830.0030226
LT VK707 L	1830.0030275
LT VK707 R	1830.0030276
LT VK708L	1830.0030227
LT VK708R	1830.0030228
LT VK709 L	1830.0030229
LT VK709 R	1830.0030230
LT VK710 L	1830.0030231
LT VK710 R	1830.0030232
LT VK711 L	1830.0030233
LT VK711 R	1830.0030234
LT VK712 L	1830.0030365
LT VK712 R	1830.0030366

LIFT-TEK	KSH
LT VK713 L	1830.0030235
LT VK713 R	1830.0030236
LT VK714 L	1830.0030419
LT VK714 R	1830.0030420
LT VK715 L	1830.0030251
LT VK715 R	1830.0030252
LT VK716 L	1830.0030493
LT VK716 R	1830.0030494
LT VK720 L	1830.0030083
LT VK720 R	1830.0030084
LT VK721 L	1830.0030081
LT VK721 R	1830.0030082
LT VK722 L	1830.0030345
LT VK722 R	1830.0030346
LT VK725 L	1830.0030059
LT VK725 R	1830.0030060
LT VK727 L	1830.0030019
LT VK727 R	1830.0030020
LT VK728 L	1830.0030305
LT VK728 R	1830.0030306
LT VK732 L	1830.0030089
LT VK732 R	1830.0030090
LT VK743 L	1830.0030461
LT VK743 R	1830.0030462
LT VK901 L	1830.30391MA
LT VK901 R	1830.30392MA
LT VL15 L	1830.0030237
LT VL15 R	1830.0030238
LT ZA19 L	1830.0040007
LT ZA19 R	1830.0040008
LT ZA21 L B	1830.0030451
LT ZA21 R B	1830.0030452
LT ZA24 L	1830.0030411
LT ZA24 R	1830.0030412
LT ZA29 L	1830.0040013
LT ZA29 R	1830.0040014
LT ZA31 L	1830.0030241
LT ZA31 R	1830.0030242
LT ZA32 L	1830.0030413
LT ZA32 R	1830.0030414
LT ZA40 L	1830.0030073
LT ZA40 R	1830.0030074
LT ZA48 L	1830.0040005
LT ZA48 R	1830.0040006
LT ZA50 L	1830.0040015
LT ZA50 R	1830.0040016
LT ZA61 L	1830.0040003
LT ZA61 R	1830.0040004
LT ZA124 L	1830.0040011
LT ZA124 R	1830.0040012
LT ZA126 L	1830.0040009
LT ZA126 R	1830.0040010
LT ZA702 L	1830.0030033
LT ZA702 R	1830.0030034
LT ZA703 L	1830.0030285
LT ZA703 R	1830.0030286
LT ZA704 L	1830.0030329



LIFT-TEK	KSH
LT ZA704 R	1830.0030330
LT ZA910 L	1830.40017MA
LT ZA910 R	1830.40018MA
LT ZA931 L	1830.30425MA
LT ZA931 R	1830.30426MA

M. MARELLI	KSH
AC071	1830.0030411
AC072	1830.0030412
AC082	1830.0040007
AC083	1830.0040008
AC086	1830.0030451
AC087	1830.0030452
AC093	1830.0030467
AC094	1830.0030468
AC103	1830.0030125
AC104	1830.0030126
AC119	1830.0030393
AC120	1830.0030394
AC121	1830.0030135
AC122	1830.0030136
AC129	1830.0030017
AC130	1830.0030018
AC131	1830.0030401
AC132	1830.0030402
AC133	1830.0030403
AC134	1830.0030404
AC135	1830.0030159
AC136	1830.0030160
AC137	1830.0030015
AC145	1830.0030087
AC146	1830.0030088
AC147	1830.0030075
AC148	1830.0030076
AC153	1830.0030095
AC154	1830.0030096
AC171	1830.0030481
AC172	1830.0030482
AC197	1830.0030209
AC198	1830.0030210
AC200	1830.0030486
AC201	1830.0030003
AC202	1830.0030004
AC209	1830.0030105
AC210	1830.0030106
AC211	1830.0030093
AC217	1830.0030177
AC218	1830.0030178
AC219	1830.0030175
AC220	1830.0030176
AC222	1830.0030094
AC225	1830.0030407
AC226	1830.0030408
AC229	1830.0030359
AC230	1830.0030360
AC231	1830.0030141
AC232	1830.0030142
AC239	1830.0030431
AC240	1830.0030432
AC241	1830.0030433
AC242	1830.0030434
AC243	1830.0030363
AC244	1830.0030364
AC247	1830.0030145

Referencias cruzadas OTRAS MARCAS - KSH



Cross references | Correspondances | Corrispondenze por marca | Equivalências de referências

M. MARELLI	KSH
AC248	1830.0030146
AC253	1830.0030237
AC254	1830.0030238
AC261	1830.0030155
AC262	1830.0030156
AC263	1830.0030149
AC264	1830.0030150
AC265	1830.0030191
AC266	1830.0030192
AC267	1830.0030189
AC268	1830.0030190
AC269	1830.0030103
AC270	1830.0030104
AC297	1830.0030121
AC298	1830.0030122
AC299	1830.0030123
AC300	1830.0030124
AC309	1830.0030153
AC310	1830.0030154
AC311	1830.0030151
AC312	1830.0030152
AC319	1830.0030169
AC320	1830.0030170
AC323	1830.0030471
AC324	1830.0030472
AC329	1830.0030187
AC330	1830.0030188
AC331	1830.0030097
AC332	1830.0030098
AC337	1830.0030241
AC338	1830.0030242
AC341	1830.0040013
AC342	1830.0040014
AC353	1830.0030005
AC354	1830.0030006
AC361	1830.0030293
AC362	1830.0030294
AC365	1830.0030011
AC366	1830.0030012
AC407	1830.0030325
AC408	1830.0030326
AC427	1830.0030413
AC428	1830.0030414
AC433	1830.0030171
AC434	1830.0030172
AC437	1830.0030399
AC438	1830.0030400
AC439	1830.0030437
AC440	1830.0030438
AC443	1830.0030429
AC447	1830.0030441
AC453	1830.0030477
AC454	1830.0030478
AC479	1830.0030201
AC480	1830.0030202
AC483	1830.0030101
AC484	1830.0030102

M. MARELLI	KSH
AC486	1830.0030100
AC491	1830.0030313
AC492	1830.0030314
AC493	1830.0030167
AC494	1830.0030168
AC497	1830.0030435
AC498	1830.0030436
AC501	1830.0030445
AC502	1830.0030446
AC503	1830.0030509
AC504	1830.0030510
AC513	1830.0030203
AC514	1830.0030282
AC521	1830.0030469
AC522	1830.0030470
AC551	1830.0030109
AC552	1830.0030110
AC553	1830.0030473
AC554	1830.0030474
AC559	1830.0030311
AC560	1830.0030312
AC569	1830.0030405
AC570	1830.0030406
AC573	1830.0030409
AC574	1830.0030410
AC575	1830.0030111
AC576	1830.0030112
AC577	1830.0030361
AC578	1830.0030362
AC579	1830.0030119
AC580	1830.0030120
AC583	1830.0030131
AC584	1830.0030132
AC587	1830.0030397
AC588	1830.0030398
AC595	1830.0030143
AC596	1830.0030144
AC619	1830.0030309
AC620	1830.0030310
AC627	1830.0030063
AC627	1830.0030327
AC628	1830.0030064
AC628	1830.0030328
AC629	1830.0030339
AC630	1830.0030340
AC647	1830.0030173
AC648	1830.0030174
AC701	1830.0030221
AC702	1830.0030222
AC703	1830.0030219
AC704	1830.0030220
AC709	1830.0030215
AC710	1830.0030216
AC715	1830.0030229
AC716	1830.0030230
AC717	1830.0030231
AC718	1830.0030232



M. MARELLI	KSH
AC719	1830.0030233
AC720	1830.0030234
AC721	1830.0030487
AC722	1830.0030488
AC723	1830.0030195
AC723	1830.0030321
AC724	1830.0030196
AC725	1830.0030157
AC726	1830.0030158
AC727	1830.0030295
AC728	1830.0030296
AC729	1830.0030137
AC730	1830.0030138
AC731	1830.0030285
AC732	1830.0030286
AC735	1830.0030329
AC736	1830.0030330
AC737	1830.0030133
AC738	1830.0030134
AC739	1830.0030139
AC740	1830.0030140
AC741	1830.0030045
AC743	1830.0030439
AC744	1830.0030440
AC754	1830.0030054
AC757	1830.0030475
AC758	1830.0030476
AC761	1830.0030183
AC762	1830.0030184
AC763	1830.0030185
AC764	1830.0030186
AC767	1830.0030483
AC768	1830.0030484
AC769	1830.0030207
AC770	1830.0030208
AC771	1830.0030323
AC772	1830.0030324
AC777	1830.0030243
AC778	1830.0030244
AC781	1830.0030199
AC782	1830.0030200
AC787	1830.0030419
AC788	1830.0030420
AC789	1830.0030235
AC790	1830.0030236
AC797	1830.0030319
AC809	1830.0030161
AC810	1830.0030162
AC811	1830.0030163
AC812	1830.0030164
AC813	1830.0030165
AC814	1830.0030166
AC823	1830.0030415
AC824	1830.0030416
AC829	1830.0030333
AC830	1830.0030334
AC833	1830.0030031

M. MARELLI	KSH
AC834	1830.0030032
AC845	1830.0030491
AC846	1830.0030492
AC847	1830.0030249
AC848	1830.0030250
AC853	1830.0030251
AC854	1830.0030252
AC855	1830.0030493
AC856	1830.0030494
AC861	1830.0030303
AC862	1830.0030304
AC863	1830.0030255
AC864	1830.0030256
AC865	1830.0030275
AC866	1830.0030276
AC867	1830.0030331
AC868	1830.0030332
AC873	1830.0030211
AC874	1830.0030212
AC875	1830.0030213
AC876	1830.0030214
AC879	1830.0030223
AC880	1830.0030224
AC881	1830.0030225
AC882	1830.0030226
AC883	1830.0030365
AC884	1830.0030366
AC885	1830.0030337
AC886	1830.0030338
AC895	1830.0030227
AC896	1830.0030228
AC897	1830.0030013
AC898	1830.0030014
AC901	1830.0030291
AC902	1830.0030292
AC905	1830.0030001
AC906	1830.0030002
AC913	1830.0030257
AC914	1830.0030258
AC919	1830.0030495
AC920	1830.0030496
AC929	1830.0040002
AC930	1830.0040003
AC933	1830.0030259
AC934	1830.0030260
AC941	1830.0030067
AC942	1830.0030068
AC951	1830.0030061
AC952	1830.0030062
AC955	1830.0030497
AC956	1830.0030498
AC959	1830.0030371
AC960	1830.0030372
AC963	1830.0030355
AC964	1830.0030356
AC969	1830.0030245
AC970	1830.0030246

Referencias cruzadas OTRAS MARCAS - KSH



Cross references | Correspondances | Corrispondenze por marca | Equivalências de referências

M. MARELLI	KSH
AC971	1830.0030069
AC972	1830.0030070
AC981	1830.0040005
AC982	1830.0040006
AC985	1830.0040015
AC986	1830.0040016
AC987	1830.0040011
AC988	1830.0040012
AC995	1830.0040009
AC996	1830.0040010
AC1027	1830.0030463
AC1028	1830.0030464
AC1033	1830.0030341
AC1034	1830.0030342
AC1041	1830.0030047
AC1042	1830.0030048
AC1053	1830.0030033
AC1054	1830.0030034
AC1055	1830.0030301
AC1056	1830.0030302
AC1057	1830.0030299
AC1058	1830.0030300
AC1061	1830.0030205
AC1062	1830.0030206
AC1067	1830.0030271
AC1068	1830.0030272
AC1071	1830.0030073
AC1072	1830.0030074
AC1081	1830.0030107
AC1082	1830.0030108
AC1085	1830.0030113
AC1086	1830.0030114
AC1087	1830.0030039
AC1088	1830.0030040
AC1091	1830.0030041
AC1092	1830.0030042
AC1093	1830.0030027
AC1094	1830.0030028
AC1095	1830.0030043
AC1095	1830.0030265
AC1096	1830.0030044
AC1096	1830.0030266
AC1097	1830.0030127
AC1098	1830.0030128
AC1113	1830.0030079
AC1114	1830.0030080
AC1133	1830.0030273
AC1134	1830.0030274
AC1145	1830.0030179
AC1146	1830.0030180
AC1153	1830.0030049
AC1154	1830.0030050
AC1159	1830.0030051
AC1171	1830.0030007
AC1172	1830.0030008
AC1173	1830.0030009
AC1174	1830.0030010

M. MARELLI	KSH
AC1183	1830.0030335
AC1184	1830.0030336
AC1187	1830.0030055
AC1188	1830.0030056
AC1193	1830.0030343
AC1194	1830.0030344
AC1211	1830.0030349
AC1212	1830.0030350
AC1217	1830.0030253
AC1218	1830.0030254
AC1263	1830.0030083
AC1264	1830.0030084
AC1273	1830.0030421
AC1274	1830.0030422
AC1336	1830.0030505
AC1337	1830.0030506
AC1346	1830.0030423
AC1347	1830.0030424
AC1355	1830.0030085
AC1356	1830.0030086
AC1357	1830.0030347
AC1358	1830.0030348
AC1384	1830.0030081
AC1385	1830.0030082
AC1386	1830.0030345
AC1387	1830.0030346
AC1396	1830.30428MA
AC1397	1830.30427MA
AC1405	1830.0030021
AC1406	1830.0030022
AC1465	1830.0040001
AC1466	1830.0040002
AC1473	1830.0030283
AC1474	1830.0030284
AC1511	1830.0030507
AC1511	1830.30425MA
AC1512	1830.0030508
AC1512	1830.30426MA

METZGER	KSH
2160007	1830.30019MA
2160008	1830.30020MA

MEYLE	KSH
1008370030	1830.30019MA
1008370031	1830.30020MA



SPJ	KSH
104-21	1830.0030102
104-22	1830.0030101
104-23	1830.0030100
104-24	1830.0030099
105-23	1830.0030230
105-24	1830.0030229
108-03	1830.0030364
108-04	1830.0030363
109-21	1830.0030020
109-22	1830.0030019
113-21	1830.0030228
113-22	1830.0030227
115-23	1830.0030224
115-24	1830.0030223
116-01	1830.0030360
116-02	1830.0030359
116-03	1830.0030296
116-04	1830.0030295
118-03	1830.0030234
118-04	1830.0030233
121-01	1830.0030326
121-02	1830.0030325
130-21	1830.0030366
130-22	1830.0030365
132-01	1830.0030106
132-02	1830.0030105
132-03	1830.0030094
132-04	1830.0030093
139-17	1830.0030240
139-18	1830.0030239
141-23	1830.0030066
141-24	1830.0030065
151-23	1830.0030216
151-24	1830.0030215
152-23	1830.0030212
152-24	1830.0030211
152-25	1830.0030214
152-26	1830.0030213
154-23	1830.0030304
154-24	1830.0030303
202-01	1830.0030136
202-02	1830.0030135
207-23	1830.0030132
207-24	1830.0030131
208-23	1830.0030138
208-24	1830.0030137
212-01	1830.0030018
212-02	1830.0030017
216-21	1830.0030134
216-22	1830.0030133
216-23	1830.0030140
216-24	1830.0030139
224-03	1830.0030160
224-04	1830.0030159
224-05	1830.0030350
224-06	1830.0030349
225-21	1830.0030064

SPJ	KSH
225-21	1830.0030328
225-22	1830.0030063
225-22	1830.0030327
225-23	1830.0030036
225-24	1830.0030035
226-03	1830.0030016
226-04	1830.0030015
232-23	1830.0030184
232-24	1830.0030183
232-25	1830.0030186
232-26	1830.0030185
241-01	1830.0030150
241-02	1830.0030149
241-03	1830.0030192
241-04	1830.0030191
244-05	1830.0030198
244-06	1830.0030197
244-13	1830.0030196
244-14	1830.0030195
244-23	1830.0030202
244-24	1830.0030201
248-01	1830.0030088
248-02	1830.0030087
248-03	1830.0030076
248-04	1830.0030075
249-15	1830.0030244
249-16	1830.0030243
249-21	1830.0030222
249-22	1830.0030221
249-23	1830.0030220
249-24	1830.0030219
249-43	1830.0030300
249-44	1830.0030299
249-69	1830.0030302
249-70	1830.0030301
252-03	1830.0030282
252-23	1830.0030204
252-24	1830.0030203
260-03	1830.0030096
260-04	1830.0030095
268-01	1830.0030194
268-02	1830.0030193
270-23	1830.0030270
270-24	1830.0030269
270-25	1830.0030206
270-26	1830.0030205
405-01	1830.0030314
405-02	1830.0030313
405-03	1830.0030168
405-04	1830.0030167
406-01	1830.0030188
406-02	1830.0030187
406-03	1830.0030098
406-04	1830.0030091
406-04	1830.0030097
406-05	1830.0030166
406-06	1830.0030165

Referencias cruzadas OTRAS MARCAS - KSH



Cross references | Correspondances | Corrispondenze por marca | Equivalências de referências

SPJ	KSH
406-27	1830.0030162
406-28	1830.0030161
406-29	1830.0030164
406-30	1830.0030163
411-23	1830.0030030
411-24	1830.0030029
414-01	1830.0030242
414-02	1830.0030241
453-25	1830.0030014
453-26	1830.0030013
462-25	1830.0030250
462-26	1830.0030249
467-25	1830.0030338
467-26	1830.0030337
505-05	1830.0030258
505-06	1830.0030257
506-03	1830.0030104
506-04	1830.0030103
520-01	1830.0030170
520-02	1830.0030169
531-03	1830.0030172
531-04	1830.0030171
534-03	1830.0030290
534-04	1830.0030289
563-03	1830.0030174
563-04	1830.0030173
563-23	1830.0030048
563-24	1830.0030047
566-21	1830.0030034
566-22	1830.0030033
572-21	1830.0030330
572-22	1830.0030329
636-23	1830.0030354
636-24	1830.0030353
637-23	1830.0030384
637-24	1830.0030383
655-01	1830.0030218
655-02	1830.0030217
684-03	1830.0030142
684-04	1830.0030141
692-03	1830.0030158
692-04	1830.0030157
692-05	1830.0030148
692-06	1830.0030147
706-21	1830.0030054
706-22	1830.0030053
712-03	1830.0030006
712-04	1830.0030005
713-23	1830.0030008
713-24	1830.0030007
713-25	1830.0030010
713-26	1830.0030009
718-23	1830.0030108
718-24	1830.0030107
720-03	1830.0030116
720-04	1830.0030115
720-05	1830.0030118

SPJ	KSH
720-06	1830.0030117
721-23	1830.0030110
721-24	1830.0030109
721-25	1830.0030246
721-26	1830.0030245
722-21	1830.0030120
722-22	1830.0030119
723-21	1830.0030112
723-22	1830.0030111
723-23	1830.0030362
723-24	1830.0030361
735-23	1830.0030026
735-23	1830.0030122
735-24	1830.0030025
735-24	1830.0030121
735-25	1830.0030028
735-25	1830.0030124
735-26	1830.0030027
735-26	1830.0030123
737-75	1830.0030260
737-76	1830.0030259
739-21	1830.0030072
739-21	1830.0030342
739-22	1830.0030071
739-22	1830.0030341
739-47	1830.0030352
739-48	1830.0030351
745-03	1830.0030292
745-04	1830.0030291
745-05	1830.0030002
745-06	1830.0030001
755-03	1830.0030238
755-04	1830.0030237
768-23	1830.0030040
768-24	1830.0030039
768-25	1830.0030042
768-26	1830.0030041
769-23	1830.0030022
769-24	1830.0030021
770-25	1830.0030262
770-26	1830.0030261
772-23	1830.0030358
772-24	1830.0030357
772-25	1830.0030390
772-26	1830.0030389
775-23	1830.0030062
775-24	1830.0030061
777-23	1830.0030044
777-23	1830.0030266
777-24	1830.0030043
777-24	1830.0030265
777-25	1830.0030046
777-25	1830.0030268
777-26	1830.0030045
777-26	1830.0030267



TRICLO	KSH
103668	1830.30392MA
103669	1830.30391MA
111014	1830.0030394
111015	1830.0030393
111016	1830.0030432
111017	1830.0030431
111026	1830.0030486
111027	1830.0030441
111027	1830.0030485
111032	1830.0030176
111033	1830.0030175
111046	1830.0030004
111047	1830.0030003
111052	1830.0030142
111053	1830.0030141
111058	1830.0030218
111059	1830.0030217
111091	1830.0030157
111092	1830.0030158
111095	1830.0030006
111096	1830.0030005
111144	1830.0030136
111145	1830.0030135
111146	1830.0030210
111147	1830.0030209
111152	1830.0030412
111153	1830.0030411
111162	1830.0030126
111162	1830.0030368
111163	1830.0030125
111163	1830.0030367
111168	1830.0030180
111169	1830.0030179
111170	1830.0030178
111171	1830.0030177
111174	1830.0030012
111175	1830.0030011
111180	1830.0030182
111181	1830.0030181
111228	1830.0030140
111229	1830.0030139
111230	1830.0030110
111231	1830.0030109
111234	1830.0030294
111235	1830.0030293
111239	1830.0030291
111270	1830.0030146
111271	1830.0030145
111314	1830.0030330
111315	1830.0030329
111330	1830.0030138
111331	1830.0030137
111344	1830.0030132
111345	1830.0030131
111350	1830.0030398
111351	1830.0030397
111354	1830.0030034

TRICLO	KSH
111355	1830.0030033
111360	1830.0030134
111361	1830.0030133
111374	1830.0030054
111375	1830.0030053
111376	1830.0030144
111377	1830.0030143
111378	1830.0030148
111379	1830.0030147
111380	1830.0030010
111381	1830.0030009
111383	1830.0030247
111407	1830.0030121
111408	1830.0030026
111408	1830.0030122
111409	1830.0030025
111424	1830.0030027
111425	1830.0030028
111436	1830.0030266
111437	1830.0030265
111438	1830.0030268
111439	1830.0030267
111442	1830.0030022
111443	1830.0030021
111446	1830.0030416
111447	1830.0030415
111448	1830.0030260
111449	1830.0030259
111454	1830.0030128
111455	1830.0030127
111466	1830.0030062
111467	1830.0030061
111478	1830.0030043
111479	1830.0030042
111480	1830.0030045
111481	1830.0030044
111482	1830.0030384
111483	1830.0030383
111484	1830.0030246
111485	1830.0030245
111486	1830.0030040
111487	1830.0030039
111488	1830.0030041
111492	1830.0030072
111493	1830.0030071
111496	1830.0030024
111496	1830.0030262
111496	1830.0030288
111497	1830.0030023
111497	1830.0030261
111497	1830.0030287
111514	1830.0030030
111515	1830.0030029
111533	1830.0030470
111534	1830.0030469
111552	1830.0030468
111553	1830.0030467

Referencias cruzadas OTRAS MARCAS - KSH



Cross references | Correspondances | Corrispondenze por marca | Equivalências de referências

TRICLO	KSH
111574	1830.0030104
111575	1830.0030103
111600	1830.0030258
111601	1830.0030257
111718	1830.0030496
111719	1830.0030495
111734	1830.0030080
111735	1830.0030079
111750	1830.0030508
111751	1830.0030507
111810	1830.0030356
111811	1830.0030355
111842	1830.0030424
111843	1830.0030423
111850	1830.0030032
111851	1830.0030031
111860	1830.0030002
111861	1830.0030001
111868	1830.0030264
111869	1830.0030263
113008	1830.0030020
113009	1830.0030019
113010	1830.0030232
113011	1830.0030231
113012	1830.0030236
113013	1830.0030235
113014	1830.0030082
113015	1830.0030081
113024	1830.0030376
113596	1830.0030100
113597	1830.0030099
113598	1830.0030233
113599	1830.0030234
113612	1830.0030252
113613	1830.0030251
113634	1830.0030120
113635	1830.0030119
113636	1830.0030112
113637	1830.0030111
113640	1830.0030114
113641	1830.0030113
113642	1830.0030116
113643	1830.0030115
113644	1830.0030118
113645	1830.0030117
113646	1830.0030108
113647	1830.0030107
113650	1830.0030228
113651	1830.0030227
113652	1830.0030224
113653	1830.0030223
113654	1830.0030226
113655	1830.0030225
113656	1830.0030420
113657	1830.0030419
113710	1830.0030106
113711	1830.0030105

TRICLO	KSH
113712	1830.0030094
113713	1830.0030093
113714	1830.0030408
113715	1830.0030407
113720	1830.0030360
113721	1830.0030359
113722	1830.0030296
113723	1830.0030295
113740	1830.0030090
113741	1830.0030089
113748	1830.0030084
113749	1830.0030083
113886	1830.0030066
113887	1830.0030065
113888	1830.0030422
113889	1830.0030421
113900	1830.0030216
113901	1830.0030215
113906	1830.0030060
113906	1830.0030162
113907	1830.0030059
113907	1830.0030161
113908	1830.0030272
113909	1830.0030271
113920	1830.0030452
113921	1830.0030451
113922	1830.0030170
113923	1830.0030169
113926	1830.0030472
113927	1830.0030471
113930	1830.0030290
113931	1830.0030289
113934	1830.0030400
113935	1830.0030399
113936	1830.0030438
113937	1830.0030437
113954	1830.0030380
113955	1830.0030379
113968	1830.0030326
113969	1830.0030325
113970	1830.0030106
113971	1830.0030105
113974	1830.0030172
113975	1830.0030171
113978	1830.0030446
113979	1830.0030445
113980	1830.0030510
113981	1830.0030509
113986	1830.0030212
113987	1830.0030211
114056	1830.0030286
114057	1830.0030285
114058	1830.0030440
114059	1830.0030439
114074	1830.0030332
114075	1830.0030331
114076	1830.0030047



TRICLO	KSH
114077	1830.0030046
114078	1830.0030174
114079	1830.0030173
115478	1830.0030088
115479	1830.0030087
115480	1830.0030076
115481	1830.0030075
115482	1830.0030150
115483	1830.0030149
115484	1830.0030192
115485	1830.0030191
115554	1830.0030414
115555	1830.0030413
115556	1830.0030406
115557	1830.0030405
115558	1830.0030096
115559	1830.0030095
115562	1830.0030189
115563	1830.0030190
115568	1830.0030198
115569	1830.0030197
115570	1830.0030196
115571	1830.0030195
115576	1830.0030300
115577	1830.0030299
115580	1830.0030488
115581	1830.0030487
115585	1830.0030203
115590	1830.0030208
115591	1830.0030207
115594	1830.0030202
115594	1830.0030322
115595	1830.0030201
115595	1830.0030321
115596	1830.0030222
115597	1830.0030221
115598	1830.0030220
115599	1830.0030219
115602	1830.0030206
115603	1830.0030205
115605	1830.0030281
115608	1830.0030244
115609	1830.0030243
115618	1830.0030484
115619	1830.0030483
115624	1830.0030324
115625	1830.0030323
115628	1830.0030282
115630	1830.0030302
115631	1830.0030301
115634	1830.0030200
115635	1830.0030199
118034	1830.0030036
118035	1830.0030035
118192	1830.0030154
118193	1830.0030153
118194	1830.0030152

TRICLO	KSH
118195	1830.0030151
118196	1830.0030156
118197	1830.0030155
118200	1830.0030238
118201	1830.0030237
118250	1830.0030482
118251	1830.0030481
118252	1830.0030478
118253	1830.0030477
118260	1830.0030168
118261	1830.0030167
118266	1830.0030242
118267	1830.0030241
118270	1830.0030098
118271	1830.0030097
118278	1830.0030037
118300	1830.0030018
118301	1830.0030017
118302	1830.0030402
118303	1830.0030401
118304	1830.0030404
118305	1830.0030403
118306	1830.0030160
118307	1830.0030159
118308	1830.0030350
118309	1830.0030349
118314	1830.0030434
118315	1830.0030433
118332	1830.0030016
118333	1830.0030015
118350	1830.0030456
118351	1830.0030455
118352	1830.0030458
118353	1830.0030457
118390	1830.0030436
118391	1830.0030435
118396	1830.0030430
118397	1830.0030429
118398	1830.0030074
118399	1830.0030073
118400	1830.0030188
118401	1830.0030187
118402	1830.0030098
118403	1830.0030097
118453	1830.0030165
118454	1830.0030166
118459	1830.0030319
118464	1830.0030184
118465	1830.0030183
118466	1830.0030186
118467	1830.0030185
118468	1830.0030014
118469	1830.0030013
118502	1830.0030250
118503	1830.0030249
118510	1830.0030056
118511	1830.0030055

Referencias cruzadas OTRAS MARCAS - KSH



Cross references | Correspondances | Corrispondenze por marca | Equivalências de referências

TRICLO	KSH
118512	1830.0030092
118512	1830.0030164
118513	1830.0030091
118513	1830.0030163
118526	1830.0030334
118527	1830.0030333
118536	1830.0030254
118537	1830.0030253
118552	1830.0030502
118553	1830.0030501
118556	1830.0030038
118556	1830.0030058
118557	1830.0030057
118603	1830.0030067

VALEO	KSH
830357	1830.0030190
850012	1830.0030467
850013	1830.0030468
850016	1830.0030103
850017	1830.0030104
850036	1830.0030469
850037	1830.0030470
850040	1830.0030121
850041	1830.0030026
850041	1830.0030122
850042	1830.0030123
850043	1830.0030124
850046	1830.0030125
850058	1830.0030393
850059	1830.0030394
850062	1830.0030135
850063	1830.0030136
850070	1830.0030141
850071	1830.0030142
850072	1830.0030157
850073	1830.0030158
850080	1830.0030145
850081	1830.0030146
850086	1830.0030151
850087	1830.0030152
850088	1830.0030153
850089	1830.0030154
850090	1830.0030155
850091	1830.0030156
850100	1830.0030431
850101	1830.0030432
850108	1830.0030433
850109	1830.0030434
850110	1830.0030313
850111	1830.0030314
850112	1830.0030167
850113	1830.0030168
850114	1830.0030435
850115	1830.0030436
850166	1830.0030289
850167	1830.0030290
850168	1830.0030169
850169	1830.0030170
850170	1830.0030471
850171	1830.0030472
850174	1830.0030399
850175	1830.0030400
850176	1830.0030437
850177	1830.0030438
850180	1830.0030171
850181	1830.0030172
850194	1830.0030175
850195	1830.0030176
850196	1830.0030177
850197	1830.0030178
850200	1830.0030179
850201	1830.0030180



VALEO	KSH
850242	1830.0030003
850243	1830.0030004
850248	1830.0030005
850249	1830.0030006
850254	1830.0030293
850255	1830.0030294
850260	1830.0030011
850261	1830.0030012
850288	1830.0030477
850289	1830.0030478
850312	1830.0030015
850313	1830.0030016
850314	1830.0030017
850315	1830.0030018
850316	1830.0030401
850317	1830.0030402
850318	1830.0030159
850319	1830.0030160
850322	1830.0030403
850323	1830.0030404
850326	1830.0030481
850327	1830.0030482
850346	1830.0030087
850347	1830.0030088
850349	1830.0030076
850348	1830.0030075
850350	1830.0030405
850351	1830.0030406
850352	1830.0030095
850353	1830.0030096
850356	1830.0030189
850358	1830.0030149
850359	1830.0030150
850360	1830.0030191
850361	1830.0030192
850362	1830.0030193
850363	1830.0030194
850366	1830.0030195
850366	1830.0030321
850367	1830.0030196
850367	1830.0030322
850370	1830.0030409
850371	1830.0030410
850376	1830.0030485
850377	1830.0030486
850378	1830.0030209
850379	1830.0030210
850384	1830.0030407
850385	1830.0030408
850388	1830.0030105
850389	1830.0030106
850390	1830.0030093
850391	1830.0030094
850440	1830.0030363
850441	1830.0030364
850442	1830.0030325
850443	1830.0030326

VALEO	KSH
850448	1830.0030359
850449	1830.0030360
850450	1830.0030295
850451	1830.0030296
850466	1830.0030237
850467	1830.0030238
850482	1830.0040007
850483	1830.0040008
850484	1830.0030451
850485	1830.0030452
850488	1830.0030411
850489	1830.0030412
850494	1830.0040013
850495	1830.0040014
850496	1830.0030241
850497	1830.0030242
850498	1830.0030413
850499	1830.0030414
850504	1830.0030187
850505	1830.0030188
850506	1830.0030097
850507	1830.0030098
850522	1830.0030101
850523	1830.0030102
850524	1830.0030099
850525	1830.0030100
850542	1830.0030441
850543	1830.0030442
850560	1830.0030275
850561	1830.0030276
850562	1830.0030227
850563	1830.0030228
850566	1830.0030013
850567	1830.0030014
850568	1830.0030163
850569	1830.0030164
850570	1830.0030161
850571	1830.0030162
850572	1830.0030165
850573	1830.0030166
850574	1830.0030223
850575	1830.0030224
850576	1830.0030225
850577	1830.0030226
850578	1830.0030233
850579	1830.0030234
850580	1830.0030215
850581	1830.0030216
850582	1830.0030211
850583	1830.0030212
850584	1830.0030213
850585	1830.0030214
850586	1830.0030311
850587	1830.0030312
850590	1830.0030007
850591	1830.0030008
850592	1830.0030009

Referencias cruzadas OTRAS MARCAS - KSH



Cross references | Correspondances | Corrispondenze por marca | Equivalências de referências

VALEO	KSH
850593	1830.0030010
850594	1830.0030201
850595	1830.0030202
850596	1830.0030109
850597	1830.0030110
850598	1830.0030239
850599	1830.0030240
850600	1830.0030139
850601	1830.0030140
850604	1830.0030229
850605	1830.0030230
850606	1830.0030231
850607	1830.0030232
850608	1830.0030269
850608	1830.0030487
850609	1830.0030270
850609	1830.0030488
850616	1830.0030111
850617	1830.0030112
850618	1830.0030361
850619	1830.0030362
850620	1830.0030113
850621	1830.0030114
850626	1830.0030143
850627	1830.0030144
850630	1830.0030473
850631	1830.0030474
850636	1830.0030309
850637	1830.0030310
850640	1830.0030203
850642	1830.0030281
850643	1830.0030204
850643	1830.0030282
850648	1830.0030397
850649	1830.0030398
850658	1830.0030283
850659	1830.0030284
850660	1830.0030127
850661	1830.0030128
850662	1830.0030205
850663	1830.0030206
850672	1830.0030119
850673	1830.0030120
850674	1830.0030115
850675	1830.0030116
850676	1830.0030117
850677	1830.0030118
850678	1830.0030107
850679	1830.0030108
850682	1830.0030131
850683	1830.0030132
850686	1830.0030033
850687	1830.0030034
850688	1830.0030315
850689	1830.0030316
850692	1830.0030319
850692	1830.0030320

VALEO	KSH
850696	1830.0030221
850697	1830.0030222
850698	1830.0030219
850699	1830.0030220
850706	1830.0030365
850707	1830.0030366
850720	1830.0030137
850721	1830.0030138
850724	1830.0030285
850725	1830.0030286
850726	1830.0030329
850727	1830.0030330
850728	1830.0030133
850729	1830.0030134
850734	1830.0030307
850735	1830.0030308
850742	1830.0030173
850743	1830.0030174
850744	1830.0030047
850745	1830.0030048
850754	1830.0030181
850755	1830.0030182
850766	1830.0030053
850767	1830.0030054
850770	1830.0030475
850771	1830.0030476
850778	1830.0030183
850779	1830.0030184
850780	1830.0030185
850781	1830.0030186
850786	1830.0030483
850787	1830.0030484
850788	1830.0030207
850789	1830.0030208
850790	1830.0030323
850791	1830.0030324
850798	1830.0030199
850799	1830.0030200
850800	1830.0030243
850801	1830.0030244
850810	1830.0030235
850811	1830.0030236
850812	1830.0030419
850813	1830.0030420
850814	1830.0030453
850815	1830.0030454
850818	1830.0030039
850819	1830.0030040
850820	1830.0030041
850821	1830.0030042
850822	1830.0030043
850823	1830.0030044
850824	1830.0030045
850825	1830.0030046
850832	1830.0030331
850833	1830.0030332
850834	1830.0030049



VALEO	KSH
850835	1830.0030050
850840	1830.0030055
850841	1830.0030056
850842	1830.0030253
850843	1830.0030254
850848	1830.0030057
850849	1830.0030058
850850	1830.0030245
850851	1830.0030246
850852	1830.0030025
850854	1830.0030027
850855	1830.0030028
850864	1830.0030037
850865	1830.0030038
850868	1830.0030303
850869	1830.0030304
850870	1830.0030255
850871	1830.0030256
850878	1830.0030415
850879	1830.0030416
850884	1830.0030333
850885	1830.0030334
850888	1830.0030031
850889	1830.0030032
850894	1830.0030335
850895	1830.0030336
850902	1830.0030491
850903	1830.0030492
850904	1830.0030249
850905	1830.0030250
850910	1830.0030337
850911	1830.0030338
850914	1830.0030251
850915	1830.0030252
850916	1830.0030493
850917	1830.0030494
850920	1830.0030257
850921	1830.0030258
850926	1830.0030259
850927	1830.0030260
850928	1830.0030261
850929	1830.0030262
850932	1830.0030495
850933	1830.0030496
850936	1830.0030263
850937	1830.0030264
850950	1830.0040011
850951	1830.0040012
850956	1830.0040005
850957	1830.0040006
850962	1830.0040015
850963	1830.0040016
850964	1830.0040003
850965	1830.0040004
850982	1830.0030061
850983	1830.0030062
850986	1830.0030357

VALEO	KSH
850986	1830.0030497
850987	1830.0030358
850987	1830.0030498
850990	1830.0030063
850991	1830.0030064
850992	1830.0030339
850993	1830.0030340
850996	1830.0030067
850997	1830.0030068
851004	1830.0030371
851005	1830.0030372
851008	1830.0030069
851009	1830.0030070
851022	1830.0030079
851023	1830.0030080
851026	1830.0030343
851027	1830.0030344
851084	1830.0030083
851085	1830.0030084
851086	1830.0040001
851087	1830.0040002
851098	1830.0030065
851099	1830.0030066
851100	1830.0030421
851101	1830.0030422
851102	1830.0030271
851103	1830.0030272
851106	1830.0030059
851107	1830.0030060
851126	1830.0030081
851127	1830.0030082
851128	1830.0030345
851129	1830.0030346
851136	1830.0030085
851137	1830.0030086
851138	1830.0030347
851139	1830.0030348
851148	1830.0030089
851149	1830.0030090
851154	1830.0030001
851155	1830.0030002
851174	1830.0030019
851175	1830.0030020
851182	1830.0030375
851183	1830.0030376
851274	1830.0030439
851275	1830.0030440
851444	1830.0030455
851445	1830.0030456
851446	1830.0030457
851447	1830.0030458
851452	1830.0030423
851453	1830.0030424

Referencias cruzadas O.E.M. - KSH



Cross references | Correspondances | Corrispondenze por marca | Equivalências de referências

O.E.M.	FABRICANTE	KSH
0007250002	MERCEDES BENZ	1830.0040003
0007250102	MERCEDES BENZ	1830.0040004
0046536311	FIAT	1830.0030290
0046536312	FIAT	1830.0030289
0046751870	ALFA ROMEO	1830.0030104
0046751871	ALFA ROMEO	1830.0030103
05096176AA	JEEP	1830.0030181
05096177AA	JEEP	1830.0030182
1012436	FORD	1830.0030432
1012437	FORD	1830.0030431
1021996	FORD	1830.0030059
1021998	FORD	1830.0030060
1034939	FORD	1830.0030431
1034940	FORD	1830.0030432
1054850	FORD	1830.0030434
1054851	FORD	1830.0030433
1097577	FORD	1830.0030434
1097578	FORD	1830.0030433
1107591	FORD	1830.0030060
1107592	FORD	1830.0030059
1115801	FORD	1830.0030029
1138208	FORD	1830.0030162
1138210	FORD	1830.0030161
1138214	FORD	1830.0030098
1138214	FORD	1830.0030164
1138216	FORD	1830.0030091
1138216	FORD	1830.0030097
1138216	FORD	1830.0030163
1142894	FORD	1830.0030164
1142897	FORD	1830.0030163
1149818	FORD	1830.0030188
1225776	FORD	1830.0030168
1225776	FORD	1830.0030458
1225778	FORD	1830.0030167
1225778	FORD	1830.0030457
1225872	FORD	1830.0030436
1225874	FORD	1830.0030435
1233191	FORD	1830.0030314
1233191	FORD	1830.0030456
1233193	FORD	1830.0030313
1233193	FORD	1830.0030455
1247200346	MERCEDES BENZ	1830.0030003
1247200446	MERCEDES BENZ	1830.0030004
12755683	SAAB	1830.0030341
12755684	SAAB	1830.0030342
12788911	SAAB	1830.0030341
12788912	SAAB	1830.0030342
12788913	SAAB	1830.0030463
12788914	SAAB	1830.0030464
12793730	SAAB	1830.0030463
12793731	SAAB	1830.0030464
1313851080	FIAT / PEUGEOT	1830.0030452
1313852080	FIAT / PEUGEOT	1830.0030451
1322757080	FIAT / PEUGEOT	1830.0030452
1322758080	FIAT / PEUGEOT	1830.0030451
13313568	OPEL	1830.0030343
13313569	OPEL	1830.0030344
1331605	FORD	1830.0030166

O.E.M.	FABRICANTE	KSH
1331606	FORD	1830.0030165
1331612	FORD	1830.0030092
1331612	FORD	1830.0030098
1331614	FORD	1830.0030091
1331614	FORD	1830.0030097
1331618	FORD	1830.0030162
1331619	FORD	1830.0030161
1331619	FORD	1830.0030187
1340398080	FIAT	1830.0030034
1340453080	FIAT	1830.0030033
1341395080	FIAT / PEUGEOT	1830.0030452
1341396080	FIAT / PEUGEOT	1830.0030451
1354702	DAF	1830.0040009
1354703	DAF	1830.0040010
1366849	SCANIA	1830.0040001
1366850	SCANIA	1830.0040002
1368042080	FIAT	1830.0030034
1368922080	FIAT	1830.0030033
1400753	DAF	1830.0040011
1400754	DAF	1830.0040012
140255	OPEL	1830.0030055
140258	OPEL	1830.0030056
140308	OPEL	1830.0030475
140309	OPEL	1830.0030476
140321	OPEL	1830.0030343
140322	OPEL	1830.0030344
1417697	FORD	1830.0030030
1442294	SCANIA	1830.0040001
1442295	SCANIA	1830.0040002
1568365	FORD	1830.0030334
1573811	FORD	1830.0030333
1607706980	PSA	1830.0030033
1607707180	PSA	1830.0030034
191837401B	VOLKSWAGEN	1830.30391MA
191837401C	VOLKSWAGEN	1830.0030363
191837402B	VOLKSWAGEN	1830.30392MA
191837402C	VOLKSWAGEN	1830.0030364
191837461A	VOLKSWAGEN	1830.0030363
191837462A	VOLKSWAGEN	1830.0030364
1C0837655A	VOLKSWAGEN	1830.0030227
1C0837655C	VOLKSWAGEN	1830.0030227
1C0837656A	VOLKSWAGEN	1830.0030228
1C0837656C	VOLKSWAGEN	1830.0030228
1H0837401B	VOLKSWAGEN	1830.30019MA
1H0837401C	VOLKSWAGEN	1830.0030019
1H0837402B	VOLKSWAGEN	1830.30020MA
1H0837402C	VOLKSWAGEN	1830.0030020
1H4839461	VOLKSWAGEN	1830.0030305
1H4839462	VOLKSWAGEN	1830.0030306
1J3837461D	VOLKSWAGEN	1830.0030101
1J3837461F	VOLKSWAGEN	1830.0030101
1J3837461H	VOLKSWAGEN	1830.0030101
1J3837462D	VOLKSWAGEN	1830.0030102
1J3837462F	VOLKSWAGEN	1830.0030102
1J3837462H	VOLKSWAGEN	1830.0030102
1J4837461D	VOLKSWAGEN	1830.0030099
1J4837461F	VOLKSWAGEN	1830.0030099
1J4837461H	VOLKSWAGEN	1830.0030099



O.E.M.	FABRICANTE	KSH
1J4837462D	VOLKSWAGEN	1830.0030100
1J4837462F	VOLKSWAGEN	1830.0030100
1J4837462H	VOLKSWAGEN	1830.0030100
1J4839461F	VOLKSWAGEN	1830.0030235
1J4839462F	VOLKSWAGEN	1830.0030236
1J4839729J	VOLKSWAGEN	1830.0030235
1J4839730J	VOLKSWAGEN	1830.0030236
1J5839461A	VOLKSWAGEN	1830.0030235
1J5839462A	VOLKSWAGEN	1830.0030236
1JM898461A	VOLKSWAGEN	1830.0030101
1JM898462A	VOLKSWAGEN	1830.0030102
1K3837461B	VOLKSWAGEN	1830.0030089
1K3837462B	VOLKSWAGEN	1830.0030090
1K4837461A	VOLKSWAGEN	1830.0030229
1K4837462A	VOLKSWAGEN	1830.0030230
1K4839461B	VOLKSWAGEN	1830.0030231
1K4839462B	VOLKSWAGEN	1830.0030232
1L0837401B	SEAT	1830.0030407
1L0837402B	SEAT	1830.0030408
1M0837461A	SEAT	1830.0030239
1M0837461A	SEAT	1830.0030379
1M0837462A	SEAT	1830.0030240
1M0837462A	SEAT	1830.0030380
1M0837462A	SEAT	1830.0030380
1P0837461A	SEAT	1830.0030271
1P0837462A	SEAT	1830.0030272
1S71F23200BS	FORD	1830.0030430
1S71F23201BS	FORD	1830.0030429
1S71F27000BM	FORD	1830.0030502
1S71F27001BM	FORD	1830.0030501
1ST1F23200BS	FORD	1830.0030030
1ST1F23201BS	FORD	1830.0030029
1T0839461L	VOLKSWAGEN	1830.0030345
1T0839462L	VOLKSWAGEN	1830.0030346
1T1837461B	VOLKSWAGEN	1830.0030081
1T1837462B	VOLKSWAGEN	1830.0030082
1U0837461B	SKODA	1830.0030211
1U0837462B	SKODA	1830.0030212
1U0839461B	SKODA	1830.0030213
1U0839462B	SKODA	1830.0030214
1Z0839461A	SKODA	1830.0030255
1Z0839462A	SKODA	1830.0030256
1Z1837461	SKODA	1830.0030303
1Z1837462	SKODA	1830.0030304
2017200546	MERCEDES BENZ	1830.0030003
2017200646	MERCEDES BENZ	1830.0030004
2017201346	MERCEDES BENZ	1830.0030003
2017201446	MERCEDES BENZ	1830.0030004
2037201546	MERCEDES BENZ	1830.0030357
2037201546	MERCEDES BENZ	1830.0030497
2037201646	MERCEDES BENZ	1830.0030358
2037201646	MERCEDES BENZ	1830.0030498
2037203146	MERCEDES BENZ	1830.0030371
2037203246	MERCEDES BENZ	1830.0030372
2037300346	MERCEDES BENZ	1830.0030389
2037300446	MERCEDES BENZ	1830.0030390
2997195	IVECO	1830.0040008
2997196	IVECO	1830.0040007

O.E.M.	FABRICANTE	KSH
2K1837729E	VOLKSWAGEN	1830.0030275
2K1837730E	VOLKSWAGEN	1830.0030276
2S51 B23201 BJ	FORD	1830.0030313
2S61A23201BS	FORD	1830.0030167
30860191	VOLVO	1830.0030237
30860192	VOLVO	1830.0030238
30865716	VOLVO	1830.0030237
30865717	VOLVO	1830.0030238
30896809	VOLVO	1830.0030237
30896810	VOLVO	1830.0030238
3176541	VOLVO	1830.0040015
3176542	VOLVO	1830.0040016
3B1837461	VOLKSWAGEN	1830.0030223
3B1837462	VOLKSWAGEN	1830.0030224
3B9839461A	VOLKSWAGEN	1830.0030225
3B9839462A	VOLKSWAGEN	1830.0030226
3C1837461H	VOLKSWAGEN	1830.0030251
3C1837462F	VOLKSWAGEN	1830.0030252
3C5839461J	VOLKSWAGEN	1830.0030493
3C5839462J	VOLKSWAGEN	1830.0030494
4077924	FORD	1830.0030242
4077926	FORD	1830.0030241
4408554	OPEL	1830.0030413
4408555	OPEL	1830.0030414
4458244	FORD	1830.0030242
4458247	FORD	1830.0030241
4500492	OPEL	1830.0040013
4500493	OPEL	1830.0040014
4523918	FORD	1830.0030074
4523921	FORD	1830.0030073
46510629	FIAT	1830.0030472
46510670	FIAT	1830.0030471
46751438	FIAT	1830.0030170
46751439	FIAT	1830.0030169
4675586AB	DODGE	1830.0030126
46803651	FIAT	1830.0030172
46803652	FIAT	1830.0030171
46810676	FIAT	1830.0030170
46810677	FIAT	1830.0030169
46831652	FIAT	1830.0030400
46831653	FIAT	1830.0030399
46831654	FIAT	1830.0030438
46831655	FIAT	1830.0030437
4796306	DODGE	1830.0030126
4796307	DODGE	1830.0030125
4796318AB	DODGE	1830.0030126
4894526AA	DODGE	1830.0030128
4894527AA	DODGE	1830.0030127
4894536AA	CHRYSLER	1830.0030368
4894537AA	CHRYSLER	1830.0030367
4B0837461A	AUDI	1830.0030107
4B0837461C	AUDI	1830.0030107
4B0837462A	AUDI	1830.0030108
4B0837462C	AUDI	1830.0030108
500314229	IVECO	1830.0040013
500314230	IVECO	1830.0040014
5010301993	RENAULT TRUCK	1830.0040011
5010301994	RENAULT TRUCK	1830.0040012

Referencias cruzadas O.E.M. - KSH



Cross references | Correspondances | Corrispondenze por marca | Equivalências de referências

O.E.M.	FABRICANTE	KSH
504173868	IVECO	1830.0040013
504173866	IVECO	1830.0040014
51331977579	BMW	1830.0030469
51331977580	BMW	1830.0030470
51331977609	BMW	1830.0030373
51331977609	BMW	1830.0030469
51331977610	BMW	1830.0030374
51331977610	BMW	1830.0030470
51332756083	MINI	1830.0030491
51332756084	MINI	1830.0030492
51333448249	BMW	1830.0030039
51333448250	BMW	1830.0030040
51337020659	BMW	1830.0030025
51337020659	BMW	1830.0030121
51337020660	BMW	1830.0030026
51337020660	BMW	1830.0030122
51337039451	BMW	1830.0030071
51337039452	BMW	1830.0030072
51337079919	BMW	1830.0030417
51337079920	BMW	1830.0030418
51338212097	BMW	1830.0030025
51338212097	BMW	1830.0030121
51338212098	BMW	1830.0030026
51338212098	BMW	1830.0030122
51338229105	BMW	1830.0030377
51338229106	BMW	1830.0030378
51338251351	BMW	1830.0030417
51338251352	BMW	1830.0030418
51338252393	BMW	1830.0030021
51338252394	BMW	1830.0030022
51338254911	BMW	1830.0030043
51338254911	BMW	1830.0030265
51338254912	BMW	1830.0030044
51338254912	BMW	1830.0030266
51353448251	BMW	1830.0030041
51353448252	BMW	1830.0030042
51357125059	BMW	1830.0030045
51357125059	BMW	1830.0030267
51357125060	BMW	1830.0030046
51357125060	BMW	1830.0030268
51357138467	BMW	1830.0030415
51357138468	BMW	1830.0030416
51357140589	BMW	1830.0030259
51357140590	BMW	1830.0030260
51358159835	BMW	1830.0030023
51358159835	BMW	1830.0030261
51358159836	BMW	1830.0030024
51358159836	BMW	1830.0030262
51358212099	BMW	1830.0030027
51358212099	BMW	1830.0030123
51358212100	BMW	1830.0030028
51358212100	BMW	1830.0030124
51358252429	BMW	1830.0030261
51358252429	BMW	1830.0030287
51358252430	BMW	1830.0030262
51358252430	BMW	1830.0030288
5140015	OPEL	1830.0030013
5140016	OPEL	1830.0030014

O.E.M.	FABRICANTE	KSH
5140031	OPEL	1830.0030337
5140032	OPEL	1830.0030338
5140069	OPEL	1830.0030249
5140070	OPEL	1830.0030250
51704762	FIAT	1830.0030170
51704763	FIAT	1830.0030169
51723317	FIAT	1830.0030048
51723318	FIAT	1830.0030047
51723323	FIAT	1830.30428MA
51723324	FIAT	1830.30427MA
51785413	FIAT	1830.0030440
51785841	FIAT	1830.0030439
51786728	ABARTH	1830.0030174
51786728	FIAT	1830.0030174
51786729	ABARTH	1830.0030173
51786729	FIAT	1830.0030173
51793188	FIAT	1830.0030332
51793189	FIAT	1830.0030331
51824038	FIAT	1830.0030440
51824040	FIAT	1830.0030439
51830869	FIAT	1830.0030332
51830870	FIAT	1830.0030331
51876267	FIAT	1830.0030440
51876269	FIAT	1830.0030439
55363286AA	JEEP	1830.0030316
55363287AA	JEEP	1830.0030315
5P0837461	SEAT	1830.0030065
5P0837462	SEAT	1830.0030066
5P0839461A	SEAT	1830.0030421
5P0839462A	SEAT	1830.0030422
5Z3837501A	VOLKSWAGEN	1830.0030283
5Z3837502A	VOLKSWAGEN	1830.0030284
60650543	ALFA ROMEO	1830.0030468
60650544	ALFA ROMEO	1830.0030467
60672271	ALFA ROMEO	1830.0030468
60672272	ALFA ROMEO	1830.0030467
60672277	ALFA ROMEO	1830.0030468
60672278	ALFA ROMEO	1830.0030467
67626955875	BMW	1830.0030351
67626955876	BMW	1830.0030352
68037297AA	DODGE	1830.0030125
6981005040GR	TOYOTA	1830.0030070
6982005040GR	TOYOTA	1830.0030069
6K3837401B	SEAT	1830.0030105
6K3837401H	SEAT	1830.0030105
6K3837401P	SEAT	1830.0030105
6K3837401S	SEAT	1830.0030105
6K3837402B	SEAT	1830.0030106
6K3837402H	SEAT	1830.0030106
6K3837402P	SEAT	1830.0030106
6K3837402S	SEAT	1830.0030106
6K4837401AA	SEAT	1830.0030093
6K4837401AA	VOLKSWAGEN	1830.0030093
6K4837401B	SEAT	1830.0030093
6K4837401B	VOLKSWAGEN	1830.0030093
6K4837401P	SEAT	1830.0030093
6K4837401P	VOLKSWAGEN	1830.0030093
6K4837401S	SEAT	1830.0030093



O.E.M.	FABRICANTE	KSH
6K4837401S	VOLKSWAGEN	1830.0030093
6K4837402AA	SEAT	1830.0030094
6K4837402AA	VOLKSWAGEN	1830.0030094
6K4837402B	SEAT	1830.0030094
6K4837402B	VOLKSWAGEN	1830.0030094
6K4837402P	SEAT	1830.0030094
6K4837402P	VOLKSWAGEN	1830.0030094
6K4837402S	SEAT	1830.0030094
6K4837402S	VOLKSWAGEN	1830.0030094
6L3837755G	SEAT	1830.0030445
6L3837756G	SEAT	1830.0030446
6L4837755G	SEAT	1830.0030509
6L4837756G	SEAT	1830.0030510
6N3837461	VOLKSWAGEN	1830.0030359
6N3837461	VOLKSWAGEN	1830.0030461
6N3837461A	VOLKSWAGEN	1830.0030359
6N3837462	VOLKSWAGEN	1830.0030360
6N3837462	VOLKSWAGEN	1830.0030462
6N3837462A	VOLKSWAGEN	1830.0030360
6N4837461	VOLKSWAGEN	1830.0030295
6N4837462	VOLKSWAGEN	1830.0030296
6Q4837461G	VOLKSWAGEN	1830.0030233
6Q3837461G	VOLKSWAGEN	1830.0030419
6Q3837462G	VOLKSWAGEN	1830.0030420
6Q4837462G	VOLKSWAGEN	1830.0030234
6Q3837462G	VOLKSWAGEN	1830.0030420
6X0959801B	SEAT	1830.0030366
6X0959802B	SEAT	1830.0030365
6Y1837461	SKODA	1830.0030215
6Y1837462	SKODA	1830.0030216
701837461A	VOLKSWAGEN	1830.0030325
701837461B	VOLKSWAGEN	1830.0030325
701837462A	VOLKSWAGEN	1830.0030326
701837462B	VOLKSWAGEN	1830.0030326
701837501B	VOLKSWAGEN	1830.0030325
701837501F	VOLKSWAGEN	1830.0030325
701837502B	VOLKSWAGEN	1830.0030326
701837502F	VOLKSWAGEN	1830.0030326
71734869	FIAT	1830.0030310
71734869	LANCIA	1830.0030310
71734870	FIAT	1830.0030309
71734870	LANCIA	1830.0030309
71740121	ALFA ROMEO	1830.0030454
71740123	ALFA ROMEO	1830.0030258
71740124	ALFA ROMEO	1830.0030257
71740175	ALFA ROMEO	1830.0030453
71740198	FIAT	1830.0030308
71740199	FIAT	1830.0030307
72210S10A020	HONDA	1830.0030460
72250S10A020	HONDA	1830.0030459
72211S10J01	HONDA	1830.0030460
72251S10J01	HONDA	1830.0030459
7482497193	VOLVO TRUCKS	1830.0040011
7482497194	VOLVO TRUCKS	1830.0040012
7700303543	RENAULT	1830.0030189
7700303553	RENAULT	1830.0030190
7700311820	OPEL	1830.0030413
7700311821	OPEL	1830.0030414

O.E.M.	FABRICANTE	KSH
7700437155	RENAULT	1830.0030410
7700437156	RENAULT	1830.0030409
7700834342	RENAULT	1830.0030406
7700834343	RENAULT	1830.0030405
7700352494	RENAULT	1830.0040013
7700352495	RENAULT	1830.0040014
7700437155	RENAULT	1830.0030410
7700437156	RENAULT	1830.0030409
7700834342	RENAULT	1830.0030406
7700834343	RENAULT	1830.0030405
7700834346	RENAULT	1830.0030076
7700834347	RENAULT	1830.0030075
7700834393	RENAULT	1830.0030088
7700834394	RENAULT	1830.0030087
7700838591	RENAULT	1830.0030096
7700838592	RENAULT	1830.0030095
7700842240	RENAULT	1830.0030192
7700842241	RENAULT	1830.0030191
7700842246	RENAULT	1830.0030150
7700842247	RENAULT	1830.0030149
7H0837753B	VOLKSWAGEN	1830.0030083
7H0837754B	VOLKSWAGEN	1830.0030084
7M0837461	FORD	1830.0030059
7M0837462	FORD	1830.0030060
7S71A27000BJ	FORD	1830.0030068
7S71A27001BJ	FORD	1830.0030067
802700EB305	NISSAN	1830.0030356
802701EB300	NISSAN	1830.0030355
807000F015	FORD	1830.0030158
807000F010	FORD	1830.0030158
807002F000	NISSAN	1830.0030146
807005F600	NISSAN	1830.0030142
807010F010	FORD	1830.0030157
807010F015	FORD	1830.0030157
807012F000	NISSAN	1830.0030145
807015F600	NISSAN	1830.0030141
807202S410	NISSAN	1830.0030274
807204F112	NISSAN	1830.0030142
80721VJ200	NISSAN	1830.0030273
807302S410	NISSAN	1830.0030274
807312S410	NISSAN	1830.0030273
80770AV601	NISSAN	1830.0030144
80770JD00A	NISSAN	1830.0030080
80771AV611	NISSAN	1830.0030143
80771JD000	NISSAN	1830.0030079
8200000557	RENAULT	1830.0030197
8200000558	RENAULT	1830.0030198
8200000937	RENAULT	1830.0030195
8200000937	RENAULT	1830.0030201
8200000937	RENAULT	1830.0030321
8200000938	RENAULT	1830.0030196
8200000938	RENAULT	1830.0030202
8200000938	RENAULT	1830.0030322
8200008329	RENAULT	1830.0030197
8200008330	RENAULT	1830.0030198
8200017893	RENAULT	1830.0030085
8200017894	RENAULT	1830.0030086
8200017909	RENAULT	1830.0030347

Referencias cruzadas O.E.M. - KSH



Cross references | Correspondances | Corrispondenze por marca | Equivalências de referências

O.E.M.	FABRICANTE	KSH
8200017910	RENAULT	1830.0030348
8200028068	RENAULT	1830.0030244
8200028070	RENAULT	1830.0030243
8200038151	RENAULT	1830.0030087
8200038152	RENAULT	1830.0030088
8200044416	RENAULT	1830.0030409
8200044417	RENAULT	1830.0030410
8200051779	RENAULT	1830.0030193
8200051780	RENAULT	1830.0030194
8200075938	RENAULT	1830.0030200
8200075940	RENAULT	1830.0030199
8200118775	RENAULT	1830.0030270
8200118775	RENAULT	1830.0030488
8200118777	RENAULT	1830.0030269
8200118777	RENAULT	1830.0030487
8200118856	RENAULT	1830.0030205
8200118857	RENAULT	1830.0030206
8200162708	RENAULT	1830.0040013
8200162710	RENAULT	1830.0040014
8200219260	RENAULT	1830.0030503
8200219261	RENAULT	1830.0030504
8200277578	RENAULT	1830.0030204
8200277578	RENAULT	1830.0030282
8200291145	VOLKSWAGEN	1830.0030323
8200291147	VOLKSWAGEN	1830.0030324
8200297443	RENAULT	1830.0030483
8200297444	RENAULT	1830.0030484
8200305720	RENAULT	1830.0030077
8200305721	RENAULT	1830.0030078
8200325135	RENAULT	1830.0030220
8200325135	RENAULT	1830.0030300
8200325136	RENAULT	1830.0030219
8200325136	RENAULT	1830.0030299
8200325137	RENAULT	1830.0030222
8200325137	RENAULT	1830.0030302
8200325138	RENAULT	1830.0030221
8200325138	RENAULT	1830.0030301
8200335242	RENAULT	1830.0030203
8200335242	RENAULT	1830.0030281
8200478298	RENAULT	1830.0030204
8200478302	RENAULT	1830.0030504
8200478303	RENAULT	1830.0030503
8200478611	RENAULT	1830.0030270
8200478611	RENAULT	1830.0030488
8200478613	RENAULT	1830.0030269
8200478613	RENAULT	1830.0030487
8200748375	RENAULT	1830.0030204
8200748377	RENAULT	1830.0030203
8200801329	RENAULT	1830.0030504
8200801330	RENAULT	1830.0030503
8200826169	RENAULT	1830.0030207
8200826173	RENAULT	1830.0030208
8201010925	RENAULT	1830.0030220
8201010926	RENAULT	1830.0030219
8201010927	RENAULT	1830.0030222
8201010929	RENAULT	1830.0030221
8201010934	RENAULT	1830.0030206
8201010935	RENAULT	1830.0030205

O.E.M.	FABRICANTE	KSH
8240302010	HYUNDAI	1830.0030177
8240325010	HYUNDAI	1830.0030179
8240329010	HYUNDAI	1830.0030175
8240329012	HYUNDAI	1830.0030175
8240402010	HYUNDAI	1830.0030178
8240425010	HYUNDAI	1830.0030180
8240429010	HYUNDAI	1830.0030176
8240429012	HYUNDAI	1830.0030176
824032C000	HYUNDAI	1830.0030049
824042C000	HYUNDAI	1830.0030050
824712L000	HYUNDAI	1830.0030031
824812L000	HYUNDAI	1830.0030032
827000F610	NISSAN	1830.0030148
827002X400	NISSAN	1830.0030148
827008F300	NISSAN	1830.0030148
827010F610	NISSAN	1830.0030147
827012X400	NISSAN	1830.0030147
827018F300	NISSAN	1830.0030147
8340162A00	SUZUKI	1830.0030218
8340262A00	SUZUKI	1830.0030217
8D0837461	AUDI	1830.0030115
8D0837462	AUDI	1830.0030116
8D0839461	AUDI	1830.0030117
8D0839462	AUDI	1830.0030118
8E0837461B	SEAT	1830.0030109
8E0837461C	SEAT	1830.0030109
8E0837462B	AUDI	1830.0030110
8E0837462B	SEAT	1830.0030110
8E0839461C	AUDI	1830.0030245
8E0839462C	AUDI	1830.0030246
8L3837461	AUDI	1830.0030119
8L3837462	AUDI	1830.0030120
8L4837461	AUDI	1830.0030375
8L4837462	AUDI	1830.0030376
8N0837461	AUDI	1830.0030279
8N0837462	AUDI	1830.0030280
8P3837461A	AUDI	1830.0030111
8P3837461C	AUDI	1830.0030111
8P3837462A	AUDI	1830.0030112
8P3837462C	AUDI	1830.0030112
8P4837461A	AUDI	1830.0030361
8P4837462A	AUDI	1830.0030362
8P4839461A	AUDI	1830.0030113
8P4839461B	AUDI	1830.0030113
8P4839462A	AUDI	1830.0030114
90521877	OPEL	1830.0030013
90521878	OPEL	1830.0030014
91165704	OPEL	1830.0030413
91165705	OPEL	1830.0030414
9206371	OPEL	1830.0030478
9206373	OPEL	1830.0030477
922163	PEUGEOT	1830.0030015
922167	PEUGEOT	1830.0030015
922177	PSA	1830.0030017
922191HS	CITROËN / FIAT	1830.0030411
922180	PEUGEOT	1830.0030015
922184	PEUGEOT	1830.0030159
9221A4	PSA	1830.0030507



O.E.M.	FABRICANTE	KSH
9221A4	CITROËN	1830.30425MA
9221AQ	CITROËN	1830.0030137
9221C1	PEUGEOT	1830.0030160
9221C2	PEUGEOT	1830.0030159
9221E0	CITROËN	1830.0030264
9221E1	CITROËN	1830.0030263
9221E9	PEUGEOT	1830.0030481
9221EP	CITROËN	1830.0030329
9221ES	PSA	1830.0030135
9221ES	PEUGEOT	1830.0030495
9221ET	CITROËN	1830.0030311
9221F0	PEUGEOT	1830.0030037
9221F4	PSA	1830.0030017
9221F5	PSA	1830.0030401
9221F6	PEUGEOT	1830.0030057
9221K7	PEUGEOT	1830.0030057
9221FT	PEUGEOT	1830.0030319
9221G0	PEUGEOT	1830.0030481
9221G2	CITROËN	1830.0030129
9221G2	CITROËN	1830.0030311
9221G3	PSA	1830.0030135
9221G3	PSA	1830.0030507
9221GY	PEUGEOT	1830.0030423
9221H5	CITROËN / FIAT	1830.0030411
9221J1	PEUGEOT	1830.0030159
9221K0	PEUGEOT	1830.0030035
9221K0	PEUGEOT	1830.0030339
9221K1	PEUGEOT	1830.0030327
9221K9	PEUGEOT	1830.0030159
9221L1	CITROËN	1830.0030133
9221L3	CITROËN	1830.0030139
9221N7	CITROËN	1830.0030137
9221P7	CITROËN	1830.0030397
9221O6	PEUGEOT	1830.0030183
9221V1	CITROËN	1830.0030131
9221W0	PEUGEOT	1830.0030253
9221X1	PEUGEOT	1830.0030319
9221X7	PSA	1830.0030033
9221Z6	FIAT	1830.0030285
9221Z6	PEUGEOT	1830.0030285
922263	PEUGEOT	1830.0030016
922267	PEUGEOT	1830.0030016
922276	PSA	1830.0030018
922279	PEUGEOT	1830.0030016
922283	PEUGEOT	1830.0030160
922290FS	CITROËN / FIAT	1830.0030412
9222A4	PSA	1830.0030508
9222A4	CITROËN	1830.30426MA
9222E8	PEUGEOT	1830.0030482
9222E9	PEUGEOT	1830.0030038
9222AN	CITROËN	1830.0030138
9222EN	CITROËN	1830.0030330
9222EQ	PSA	1830.0030136
9222ER	PEUGEOT	1830.0030496
9222ET	CITROËN	1830.0030312
9222F2	PSA	1830.0030018
9222F3	PSA	1830.0030402
9222F4	PEUGEOT	1830.0030058

O.E.M.	FABRICANTE	KSH
9222F5	CITROËN / FIAT	1830.0030412
9222K5	PEUGEOT	1830.0030058
9222F8	PEUGEOT	1830.0030482
9222F9	CITROËN	1830.0030130
9222F9	CITROËN	1830.0030312
9222FS	PEUGEOT	1830.0030320
9222G1	PSA	1830.0030136
9222G1	PSA	1830.0030508
9222GV	PEUGEOT	1830.0030424
9222H3	CITROËN / FIAT	1830.0030412
9222H9	PEUGEOT	1830.0030160
9222J9	PEUGEOT	1830.0030036
9222J9	PEUGEOT	1830.0030340
9222K0	PEUGEOT	1830.0030328
9222K7	PEUGEOT	1830.0030160
9222K9	CITROËN	1830.0030134
9222L1	CITROËN	1830.0030140
9222N5	CITROËN	1830.0030138
9222P5	CITROËN	1830.0030398
9222Q4	PEUGEOT	1830.0030184
9222V0	CITROËN	1830.0030132
9222V9	PEUGEOT	1830.0030254
9222W9	PEUGEOT	1830.0030320
9222X6	PSA	1830.0030034
9222Z5	FIAT	1830.0030286
9222Z5	PEUGEOT	1830.0030286
922328	PEUGEOT	1830.0030349
922371	PEUGEOT	1830.0030349
922428	PEUGEOT	1830.0030350
922474	PEUGEOT	1830.0030350
922385	PEUGEOT	1830.0030185
922491	PEUGEOT	1830.0030186
96092315	CITROËN	1830.0030394
96092316	CITROËN	1830.0030393
96225383	CHEVROLET	1830.0030151
96225384	CHEVROLET	1830.0030152
96233470	CHEVROLET	1830.0030153
96233470	DAEWOO	1830.0030153
96233471	CHEVROLET	1830.0030154
96233471	DAEWOO	1830.0030154
96318069	CHEVROLET	1830.0030155
96318069	DAEWOO	1830.0030155
96318070	CHEVROLET	1830.0030156
96318070	DAEWOO	1830.0030156
96323234	CHEVROLET	1830.0030155
96323234	DAEWOO	1830.0030155
96323235	CHEVROLET	1830.0030156
96323235	DAEWOO	1830.0030156
9634456880	PEUGEOT	1830.0030036
9634456880	PEUGEOT	1830.0030340
9634456980	PEUGEOT	1830.0030035
9634456980	PEUGEOT	1830.0030339
9637139380	PEUGEOT	1830.0030064
9637139380	PEUGEOT	1830.0030328
9637139480	PEUGEOT	1830.0030063
9637139480	PEUGEOT	1830.0030327
9640966180-2K6	PEUGEOT	1830.0030404
9640967280-1K8	PEUGEOT	

Referencias cruzadas O.E.M. - KSH



Cross references | Correspondances | Corrispondenze por marca | Equivalências de referências

O.E.M.	FABRICANTE	KSH
1830.0030403		
96541783	CHEVROLET	1830.0030473
96541784	CHEVROLET	1830.0030474
9737200346	MERCEDES BENZ	1830.0040005
9737200446	MERCEDES BENZ	1830.0040006
98407721	IVECO	1830.0040008
98407722	IVECO	1830.0040007
98407740	IVECO	1830.40017MA
98407741	IVECO	1830.40018MA
98407743	IVECO	1830.40018MA
98407744	IVECO	1830.40017MA
99487780	IVECO	1830.0040008
99487781	IVECO	1830.0040007
A1637201146	MERCEDES BENZ	1830.0030247
A1637201246	MERCEDES BENZ	1830.0030248
A1637300146	MERCEDES BENZ	1830.0030335
A1637300246	MERCEDES BENZ	1830.0030336
A1638200142	MERCEDES BENZ	1830.0030335
A1638200242	MERCEDES BENZ	1830.0030336
A2107201146	MERCEDES BENZ	1830.0030007
A2107201246	MERCEDES BENZ	1830.0030008
A2107301546	MERCEDES BENZ	1830.0030009
A2107301646	MERCEDES BENZ	1830.0030010
A63972000046	MERCEDES BENZ	1830.0030499
A63972000146	MERCEDES BENZ	1830.0030500
A2117200346	MERCEDES BENZ	1830.0030061
A2117200446	MERCEDES BENZ	1830.0030062
A6387200146	MERCEDES BENZ	1830.0030005
A6387200246	MERCEDES BENZ	1830.0030006
A6397200046	MERCEDES BENZ	1830.0030053
A6397200046	MERCEDES BENZ	1830.0030053
A6397200146	MERCEDES BENZ	1830.0030054
A6397200146	MERCEDES BENZ	1830.0030054
A6397200446	MERCEDES BENZ	1830.0030505
A6397200546	MERCEDES BENZ	1830.0030506
BPAK58590	MAZDA	1830.0030354
BPAK59590	MAZDA	1830.0030353
C0002691V0010000000	MERCEDES BENZ	1830.0030293
C0002702V0010000000	MERCEDES BENZ	1830.0030294
CUH000021	LAND ROVER	1830.0030292
CUH000023	LAND ROVER	1830.0030292
CUH000031	LAND ROVER	1830.0030291
CUH000032	LAND ROVER	1830.0030291
CUH000033	LAND ROVER	1830.0030291
CUH101900	ROVER	1830.0030210
CUH101910	ROVER	1830.0030209
CVH101150	LAND ROVER	1830.0030051
CVH101202	LAND ROVER	1830.0030002
CVH101212	LAND ROVER	1830.0030001
CUH102040	ROVER	1830.0030442
CUH102050	HONDA/ROVER	1830.0030485
CUH102060	HONDA/ROVER	1830.0030486
CUH102070	ROVER	1830.0030441
CUH102070SLP	ROVER	1830.0030441
CUH102460	HONDA/ROVER	1830.0030486
GJ6A58590D	MAZDA	1830.0030384
GJ6A59590D	MAZDA	1830.0030383
MB669161	MITSUBISHI	1830.0030011

O.E.M.	FABRICANTE	KSH
MB669162	MITSUBISHI	1830.0030012
MB669163	MITSUBISHI	1830.0030011
MB669164	MITSUBISHI	1830.0030012

NOTA:

Todas las marcas AUDI, CITROËN, FIAT, FORD, MERCEDES, OPEL, PEUGEOT, RENAULT, SEAT, VOLKSWAGEN, ETC., utilizadas en este catálogo son propiedad de los fabricantes a que se refieren. Su utilización sirve únicamente para ayudar a identificar el modelo de vehículo sobre el que las piezas deben ser montadas. Nuestros artículos, no siendo originales, son perfectamente adaptables a los vehículos a que se refieren.

Las imágenes que aparecen en este catálogo no son contractuales.

NOTE:

Toutes les marques AUDI, CITROËN, FIAT, FORD, MERCEDES, OPEL, PEUGEOT, RENAULT, SEAT, VOLKSWAGEN, ETC., utilisées dans ce catalogue servent uniquement à aider à identifier les modèles de voiture sur lesquels les pièces de rechange /accessoires peuvent s'adapter. Nos articles, bien qu'ils ne soient pas d'origine, sont parfaitement adaptables aux voitures auxquelles ils font référence. Les images qui apparaissent dans ce catalogue ne sont pas contractuelles.

NOTA:

Todas as marcas AUDI, CITROËN, FIAT, FORD, MERCEDES, OPEL, PEUGEOT, RENAULT, SEAT, VOLKSWAGEN, NOKIA, ETC., citadas neste catálogo, são propriedade de fabrica de veiculos quais fazem mencao. A sua utilizacao neste catálogo serve unicamente para ajudar a identificar os modelos de automovel sobre os quais as pecas de substitucao/acessorios podem adaptar-se. Os nossos artigos, embora nao sejam de origem, sao perfeitamente adaptáveis aos automoveis quais fazem referencia.

As imagens que aparecem neste catálogo não são contratuais.

NOTA:

El contenido de este catálogo ha sido seleccionado y presentado de forma que la información resulte lo más exacta posible, y sea fácilmente interpretada. La información de este catálogo debe emplearse únicamente como referencia. No nos responsabilizaremos de posibles errores u omisiones.

REMARK:

Every effort has been made to ensure the information contained in this catalogue is accurate and easily understood. However we cannot accept any liability for errors, omissions and losses arising from them.

NOTE:

Le contenu de ce catalogue a été choisi et présenté de sorte que l'information s'avère la plus précise possible, et soit facilement interprétée. L'information de ce catalogue doit uniquement être employée comme référence. Nous ne nous serons pas responsables de possibles erreurs ou d'omissions.

NOTA:

Ogni sforzo è stato fatto accertarsi che le informazioni contenute in questo catalogo fossero esatte e facilmente comprensibili. Tuttavia non possiamo accettare alcuna responsabilità per gli errori, le omissioni e le perdite in seguito loro

NOTA:

Todos os esforços foi feito assegurar-se de que a informação contida neste catálogo fosse exata e de fácil compreensão. Entretanto nós não podemos aceitar nenhuma responsabilidade para os erros, as omissões e as perdas levantando-se deles.

REMARK:

The AUDI, CITROËN, FIAT, FORD, MERCEDES, OPEL, PEUGEOT, RENAULT, SEAT, VOLKSWAGEN, ETC., brands used in this catalogue are property of the car manufacturers to which they refer. Their use serves only to help identify the car models upon which the part must be fitted. Although our items are not originals, they are perfectly adapted for use with the cars they refer to.

The images that appear in this catalogue are not contractual.

NOTA:

Todas as marcas AUDI, CITROËN, FIAT, FORD, MERCEDES, OPEL, PEUGEOT, RENAULT, SEAT, VOLKSWAGEN, ETC., citadas neste catálogo, são propriedade de fabrica de veiculos quais fazem mencao. A sua utilizacao neste catálogo serve unicamente para ajudar a identificar os modelos de automovel sobre os quais as pecas de substitucao/acessorios podem adaptar-se. Os nossos artigos, embora nao sejam de origem, sao perfeitamente adaptáveis aos automoveis quais fazem referencia.

As imagens que aparecem neste catálogo não são contratuais.



TecAlliance
Certified Data Supplier



Polígono Industrial de Vilapou, Naves 5,6 y 7
08640 Olesa de Montserrat (Barcelona)
España (Spain)
Telf. +34-93-778.72.90
Fax. +34-93-778.72.91
www.ner-tor.com | e-mail: ner-tor@ner-tor.com